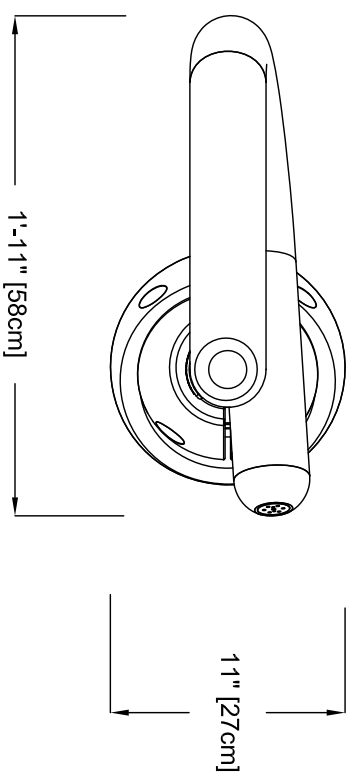
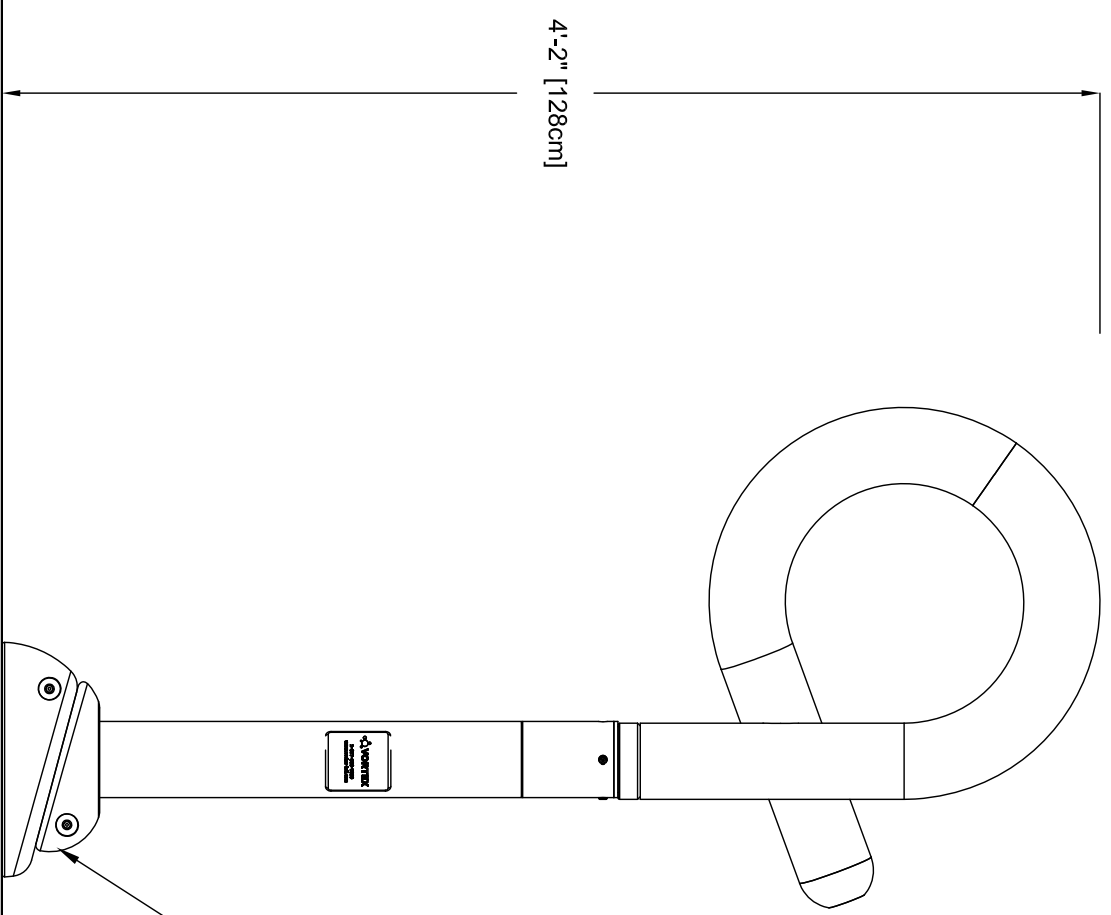


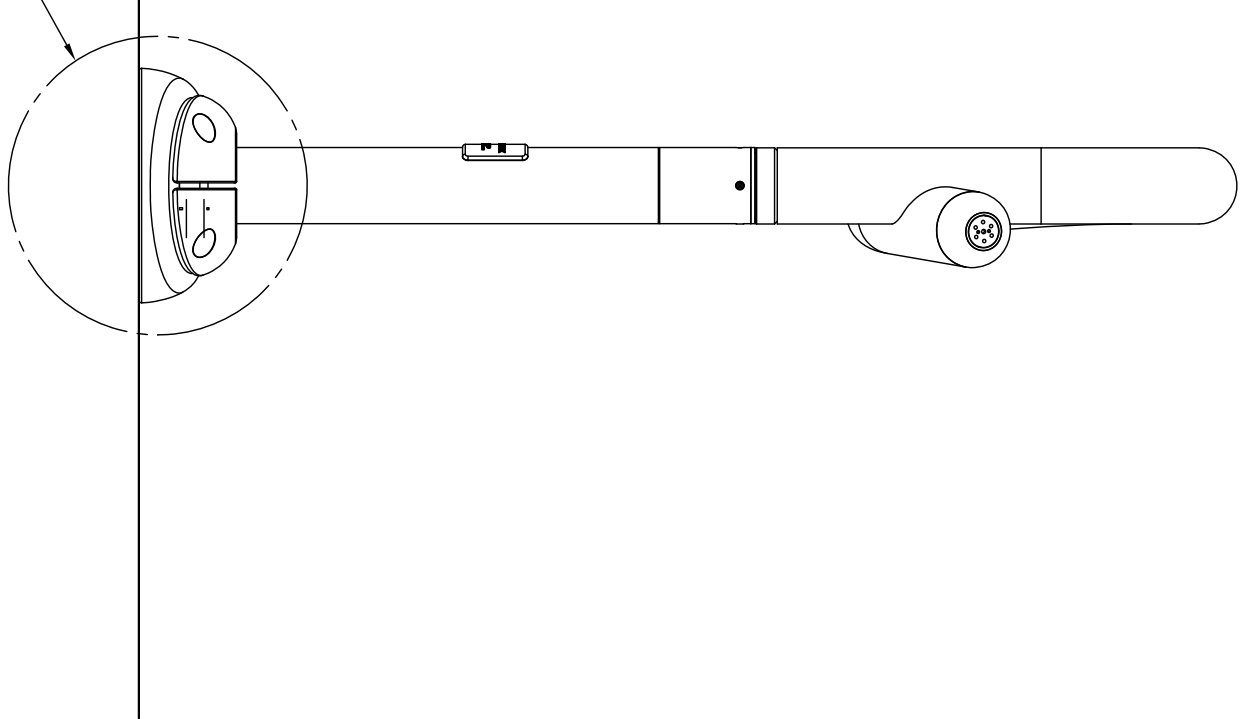
PLAN VIEW



FRONT ELEVATION VIEW



SIDE ELEVATION VIEW



PRODUCT NAME: LOOP N°1

PRODUCT NUMBER: VOR-7719.2XXX

DATE: 03/12/14

SHEET NO: 1/1

11"x17" SHEET SIZE

PRODUCT INFORMATION

TYPICAL ANCHORING SAFESWAP N°2

TOEGUARD™

