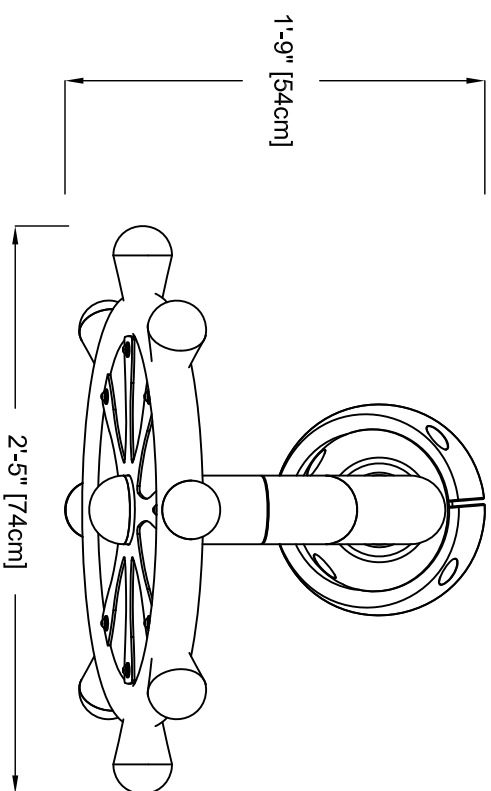
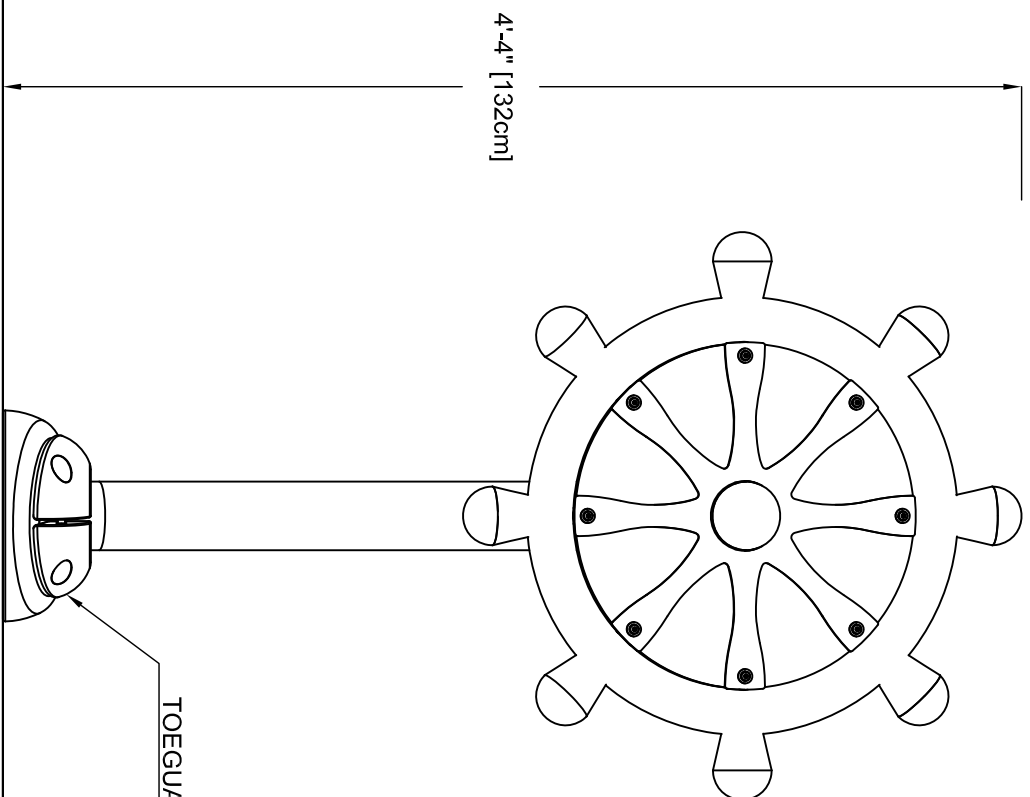


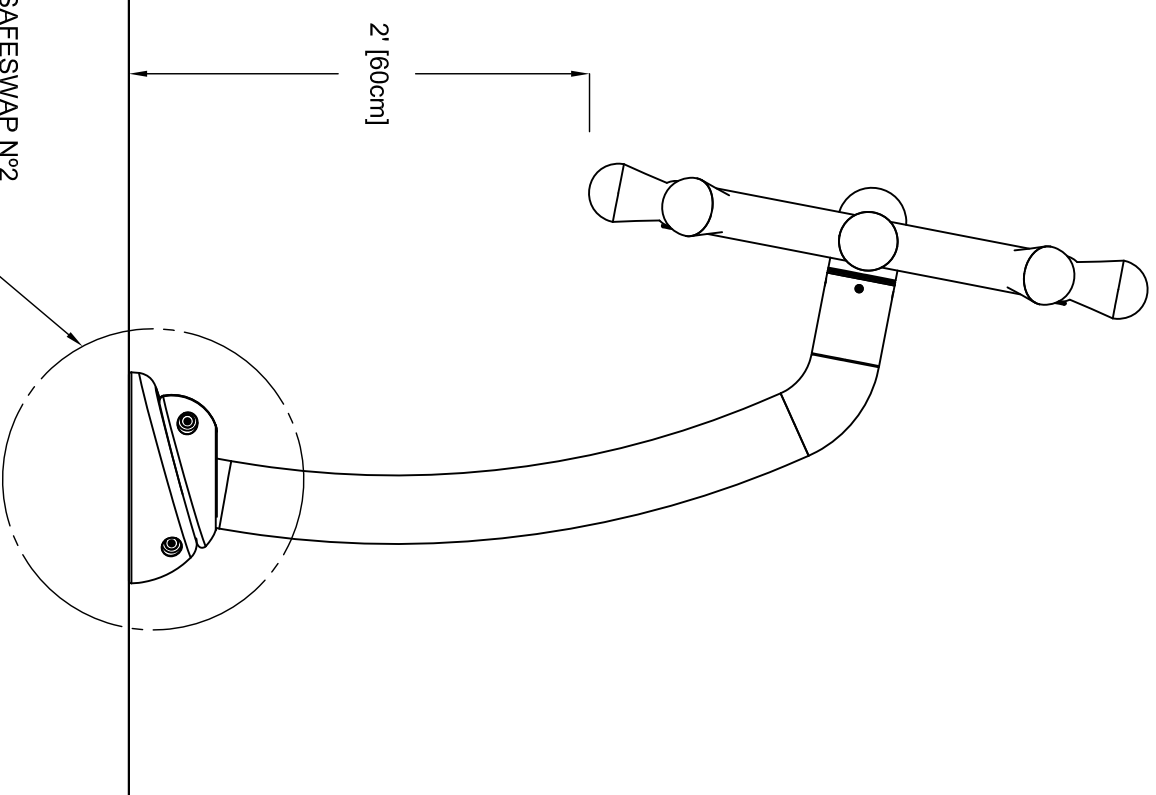
PLAN VIEW



FRONT ELEVATION VIEW



SIDE ELEVATION VIEW



PRODUCT NAME: BOAT WHEEL N°1

PRODUCT NUMBER: VOR-7678.2XXX

DATE: 05/29/14

SHEET NO: 1/1

11"x17" SHEET SIZE

PRODUCT INFORMATION

TYPICAL ANCHORING SAFESWAP N°2

TOEGUARD™

4'-4" [132cm]

2' [60cm]

1'-9" [54cm]

2'-5" [74cm]

