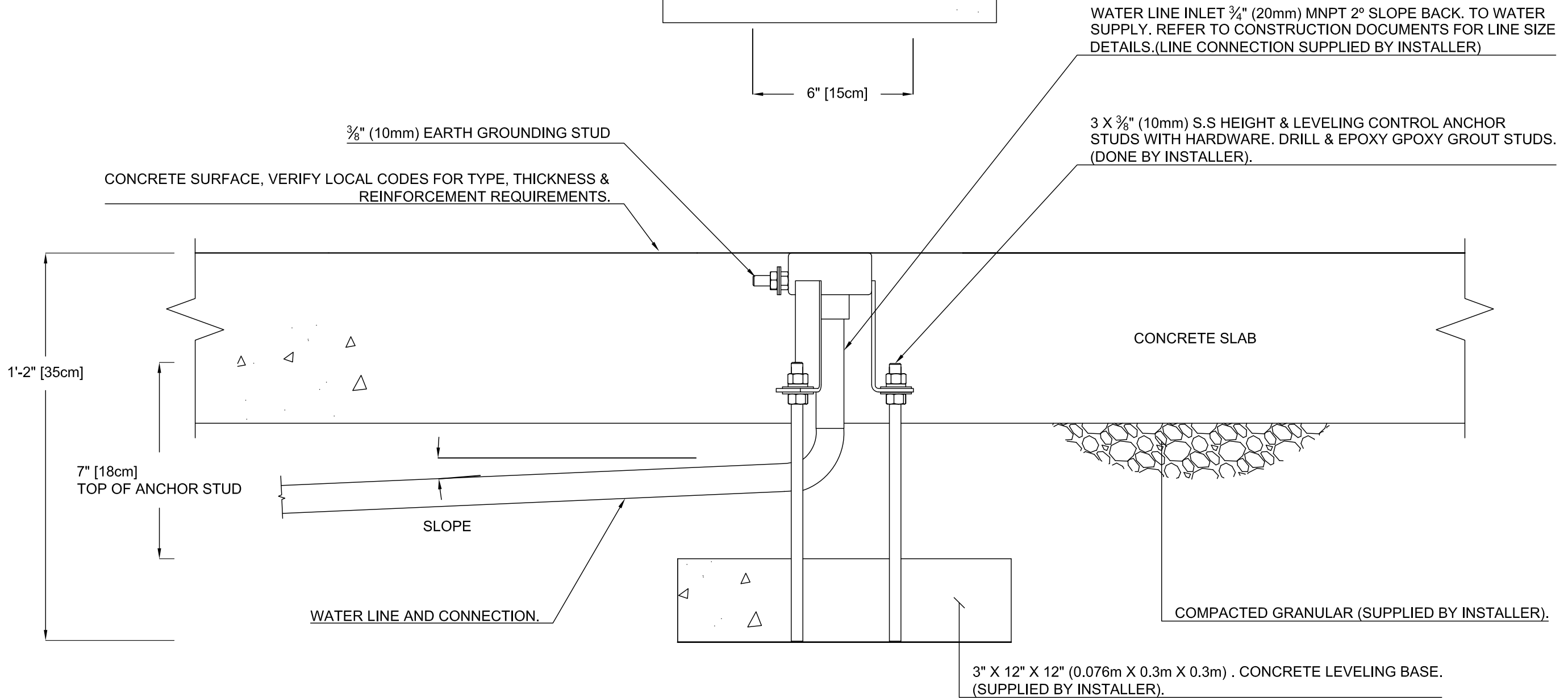
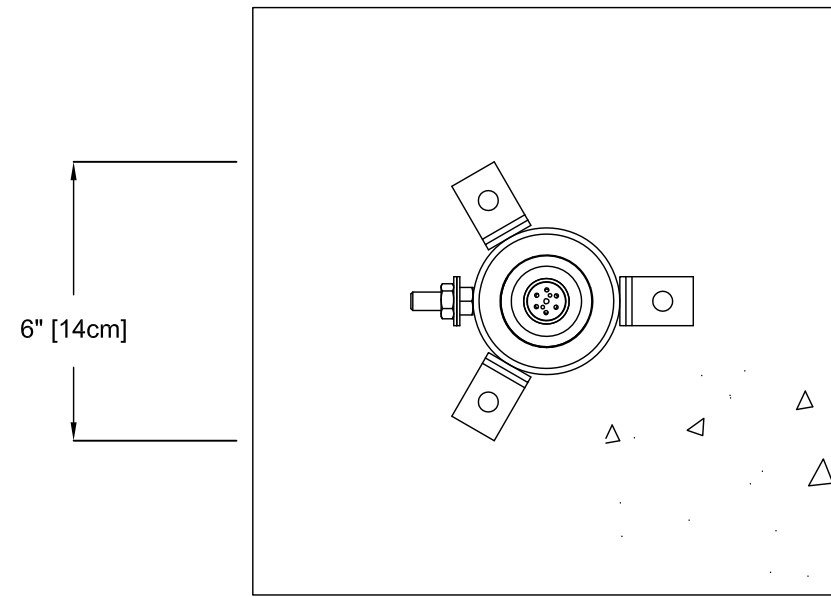


PLAN VIEW

FRONT ELEVATION VIEW

NOTE:

"BY INSTALLER/BY CONTRACTOR "MAY REFER TO SERVICE PROVIDERS OTHER THAN THE EQUIPMENT MANUFACTURER. PLEASE REFER TO PROJECT SPECIFICATION FOR DETAILS OF RESPONSIBILITY.



PRODUCT NAME: FOUNTAIN SPRAY N° 2

PRODUCT INFORMATION

PRODUCT NUMBER: VOR-7676.4XXX

DATE: 05/26/15

SHEET NO: 1/1

11"x17" SHEET SIZE

