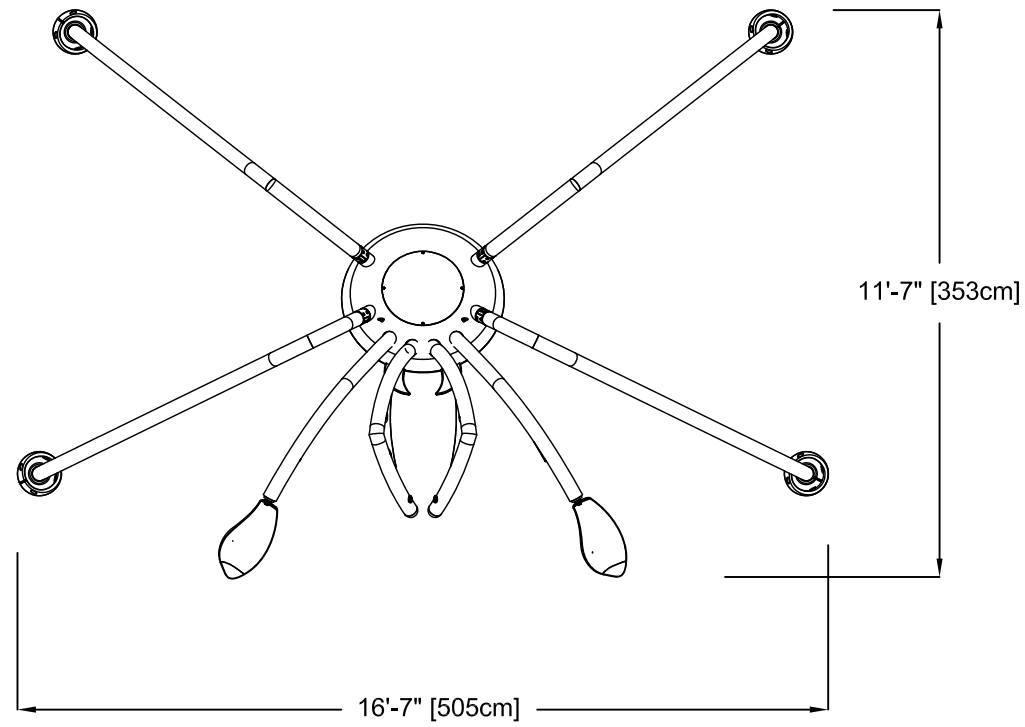
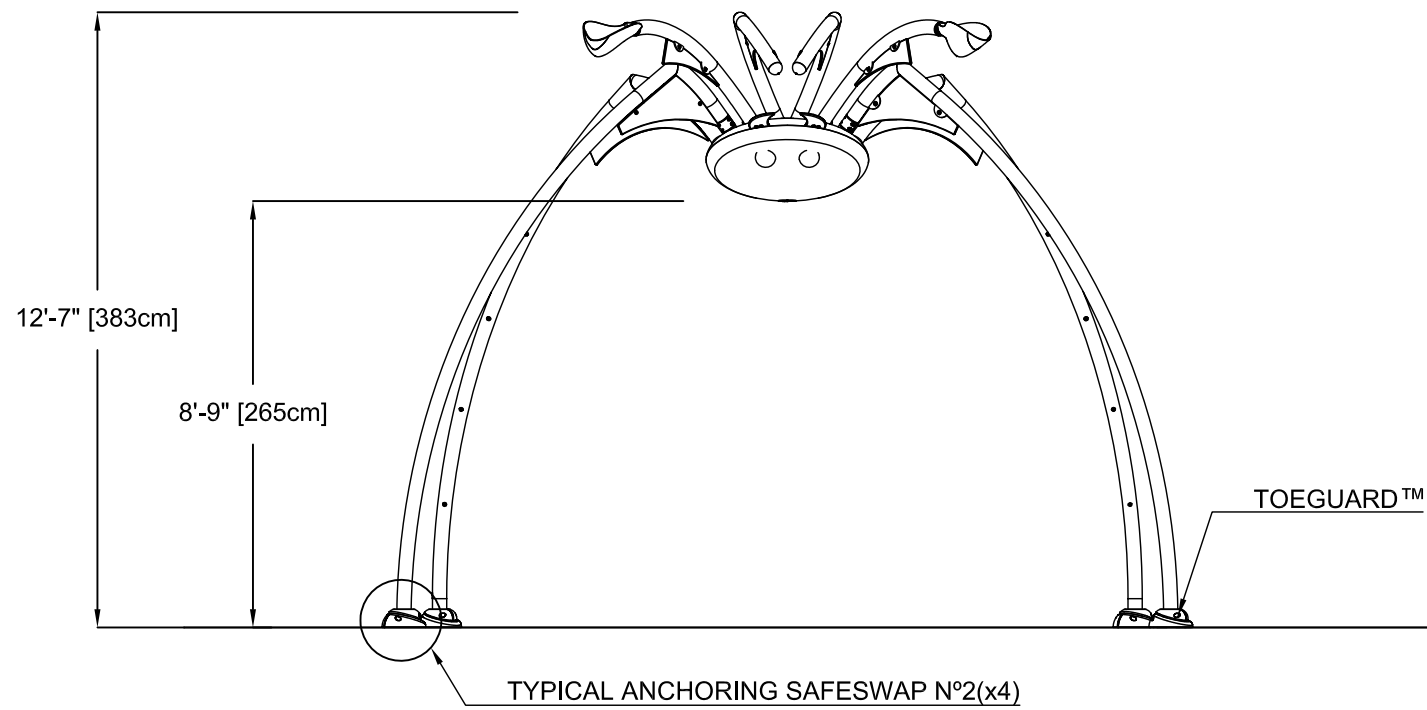


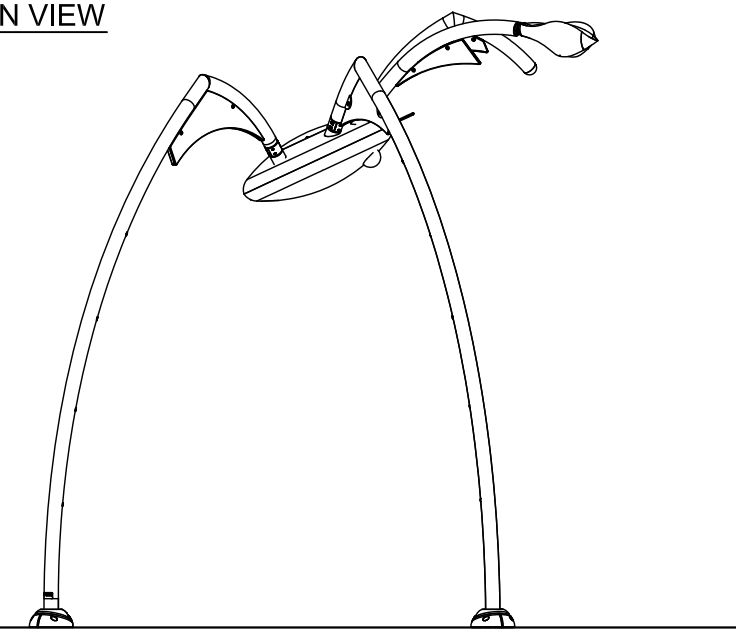
PLAN VIEW



FRONT ELEVATION VIEW



SIDE ELEVATION VIEW



PRODUCT NAME: SPIDER

PRODUCT INFORMATION

PRODUCT NUMBER: VOR-7653.2XXX

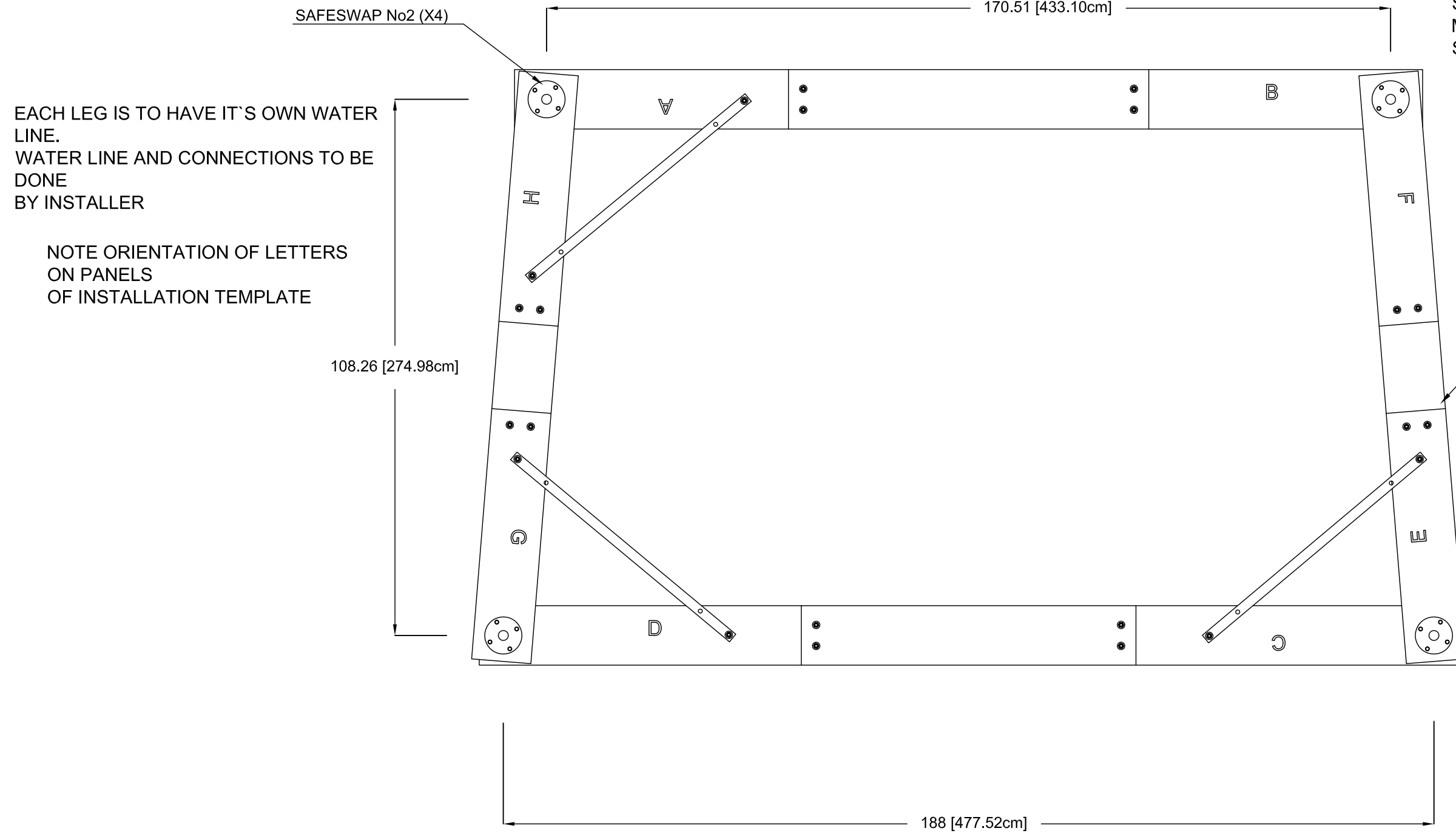
DATE: 01/13/16

SHEET NO: 1/2

11"x17" SHEET SIZE



ANCHORING LOCATIONS



NOTE:
 BY INSTALLER/BY CONTRACTOR MAY REFER TO SERVICE PROVIDERS OTHER THAN THE EQUIPMENT MANUFACTURER. PLEASE REFER TO PROJECT SPECIFICATION FOR DETAILS OF RESPONSIBILITY.

INSTALLATION TEMPLATE (TOOL KIT #55002.1207)

REFER TO MAINTENANCE MANUAL FOR INSTRUCTIONS ON INSTALLATION DETAIL AND TOOL KIT #55002.1207 MUST BE USED DURING CONCRETE POURING FOR THE PLACEMENT ON TOP OF THE SAFESWAP TO ENSURE CORRECT PLACEMENT FOR THE LEGS. WASHERS CAN BE USED TO ELEVATE JIG FROM CONCRETE SURFACE.

VOR-7653.2XXX SPIDER (Construction Detail)

PRODUCT NAME: SPIDER

PRODUCT INFORMATION

PRODUCT NUMBER: VOR-7653.2XXX

DATE: 01/13/16

SHEET NO: 2/2

11"x17" SHEET SIZE

