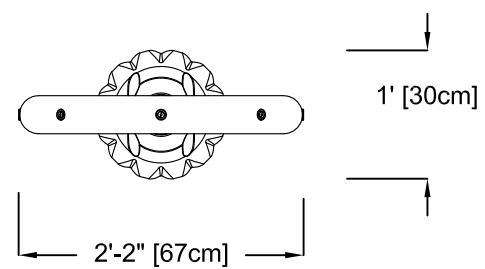
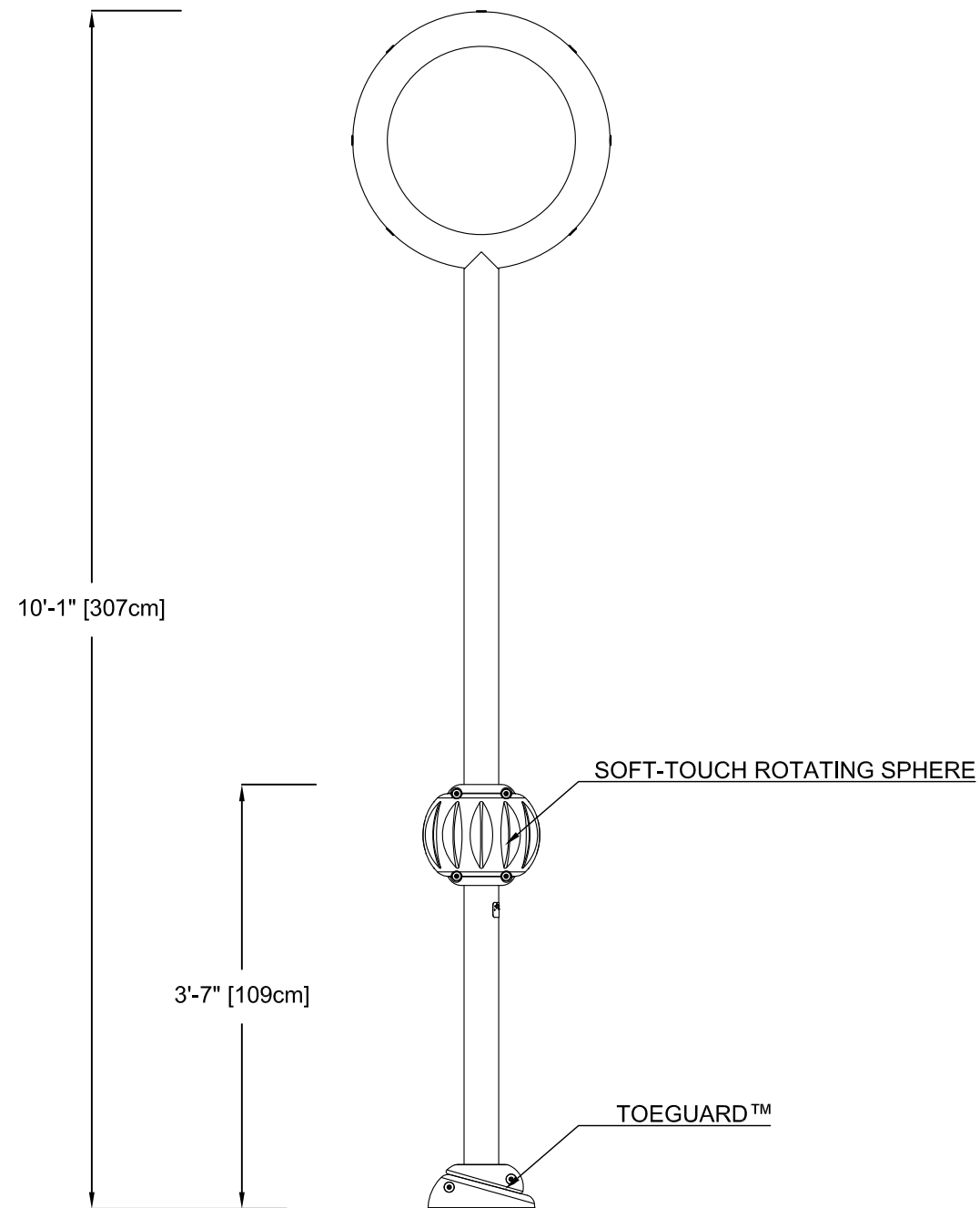


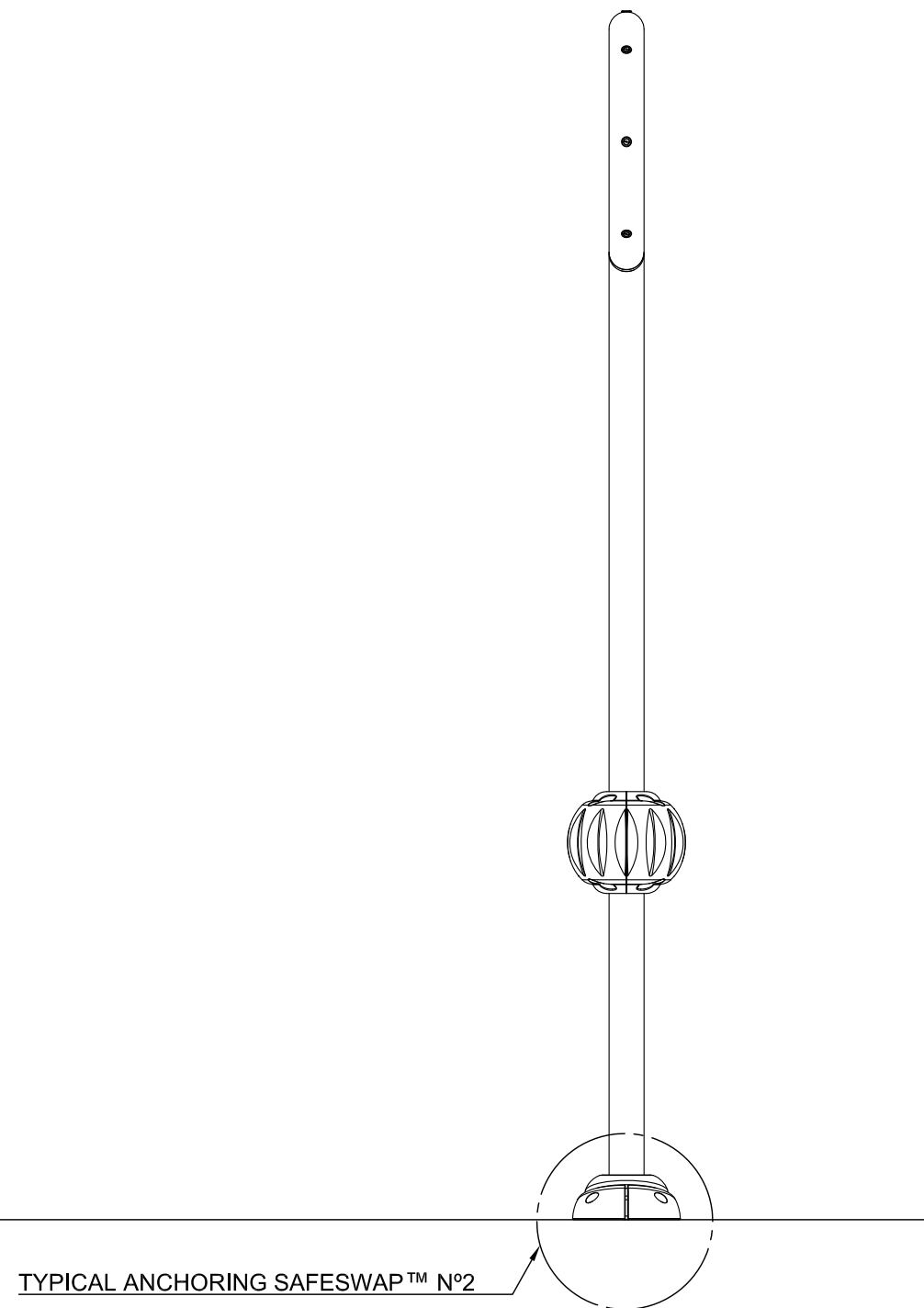
PLAN VIEW



FRONT ELEVATION VIEW



SIDE ELEVATION VIEW



PRODUCT NAME: SUNSPRAY N°1

PRODUCT INFORMATION

PRODUCT NUMBER: VOR-7578.2XXX

DATE: 05/13/14

SHEET NO: 1/1

11"x17" SHEET SIZE

