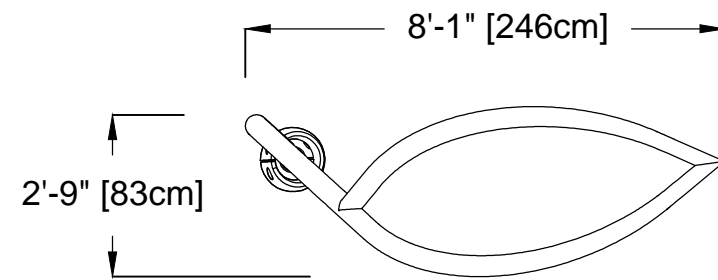
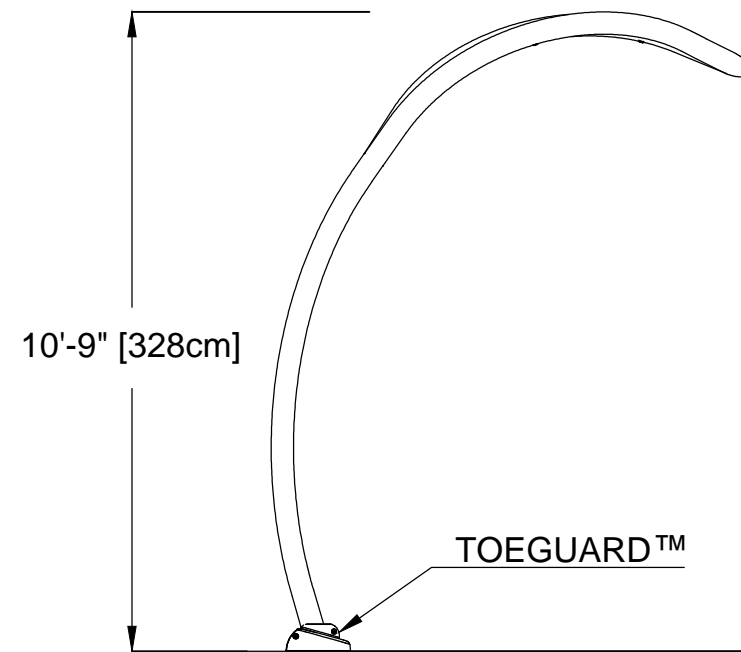


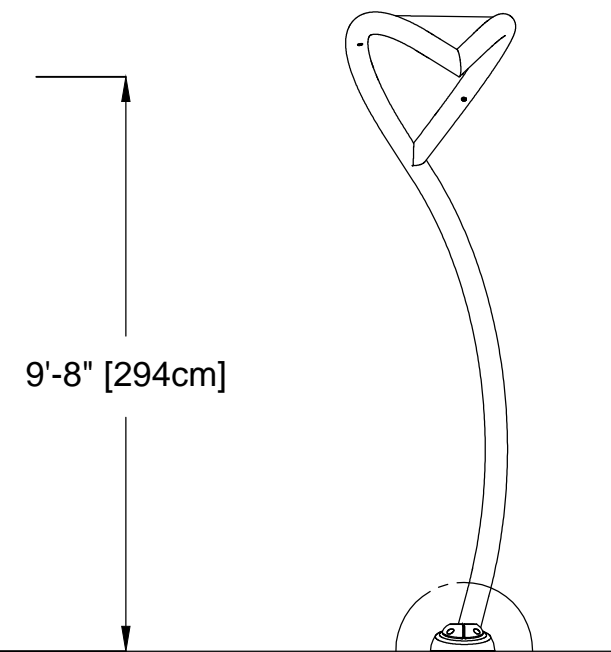
PLAN VIEW



FRONT ELEVATION VIEW



SIDE ELEVATION VIEW



TYPICAL ANCHORING SAFESWAP N°1

VOR-7548.2XXX LEAF N°1 (Construction Detail)

PRODUCT NAME: LEAF N°1

PRODUCT INFORMATION

PRODUCT NUMBER: VOR-7548.2XXX

DATE: 10/22/15

SHEET NO: 1/1

11"x17" SHEET SIZE

