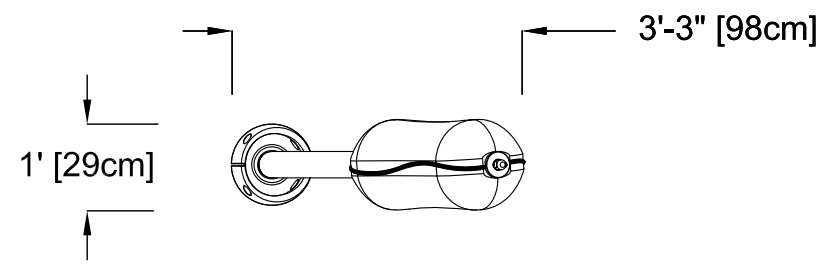
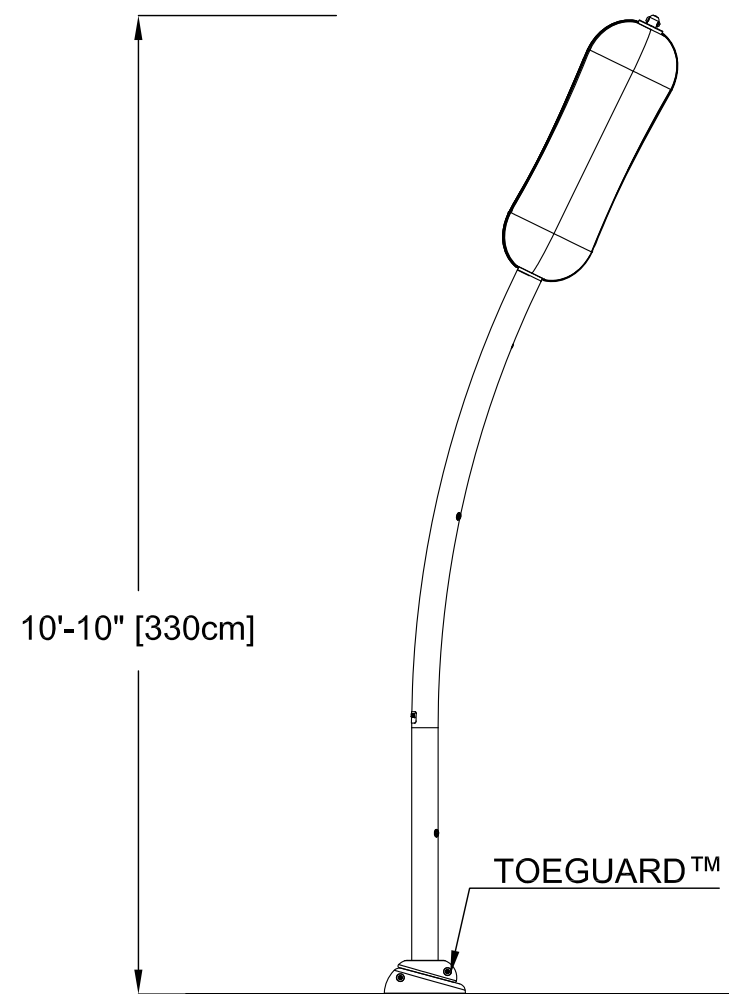


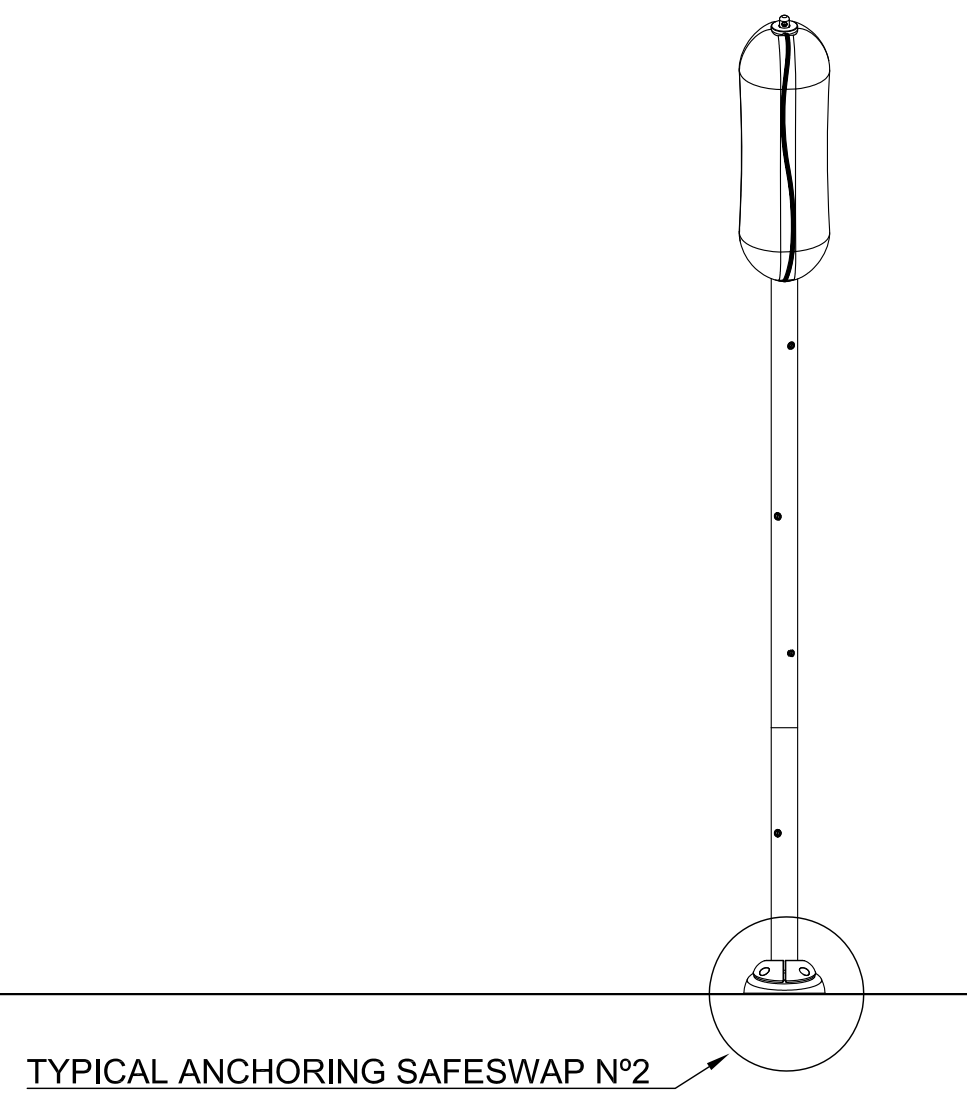
PLAN VIEW



FRONT ELEVATION VIEW



SIDE ELEVATION VIEW



PRODUCT NAME: CATTAIL

PRODUCT INFORMATION

PRODUCT NUMBER: VOR-7538.2XXX R02

DATE: 01/20/15

SHEET NO: 1/1

11"x17" SHEET SIZE

