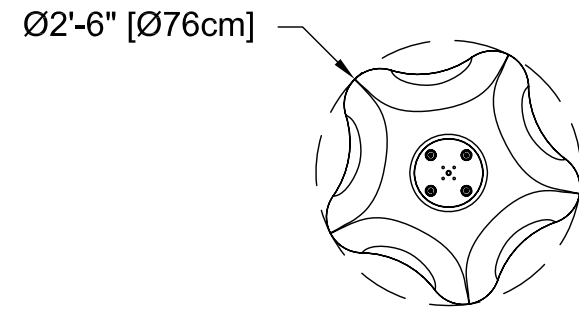
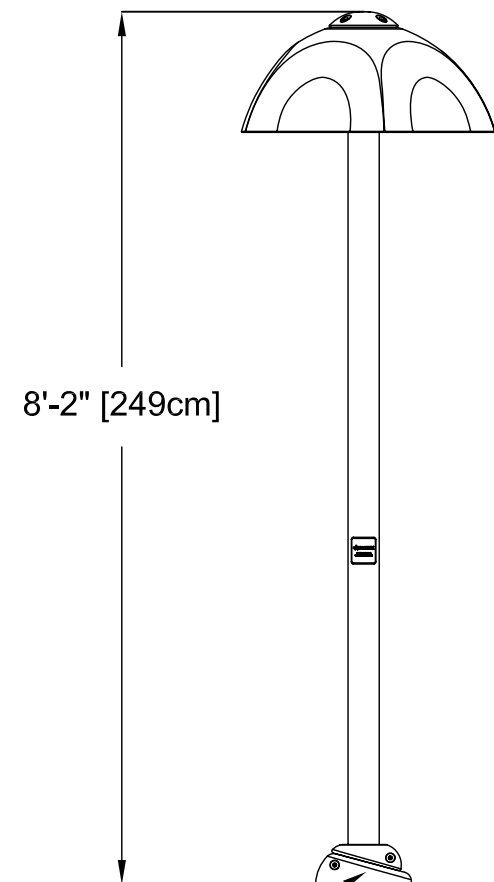


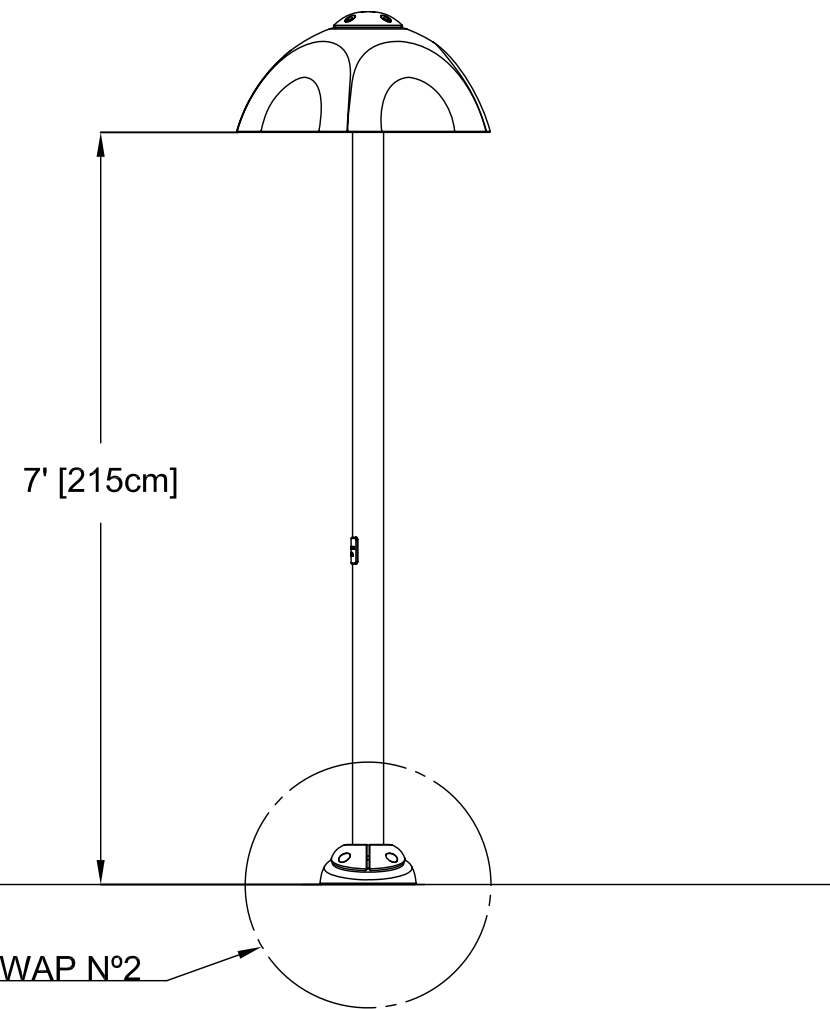
PLAN VIEW



FRONT ELEVATION VIEW



SIDE ELEVATION VIEW



TOEGUARD™

TYPICAL ANCHORING SAFESWAP N°2

**VOR-7388.2XXX AQUALIEN FLOWER N°1 (Construction Detail)**

PRODUCT NAME: AQUALIEN FLOWER N°1

PRODUCT INFORMATION

PRODUCT NUMBER: VOR-7388.2XXX

DATE: 06/17/09

SHEET NO: 1/1

11"x17" SHEET SIZE

