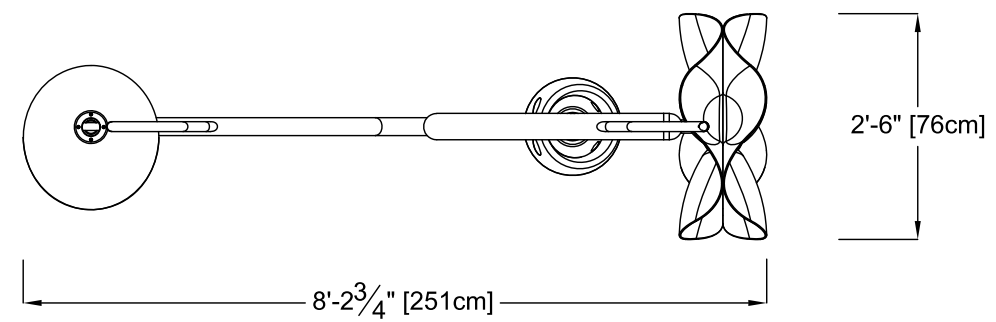
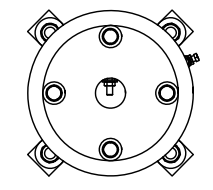


THESE DRAWINGS PROVIDE A GENERIC OVERVIEW OF THE INSTALLATION. THEY ARE NOT PROJECT SPECIFIC OR REFLECT ANY CUSTOMIZATION UNLESS NOTED. PLEASE CONTACT VORTEX AQUATIC STRUCTURES INTERNATIONAL FOR MORE DETAILS.

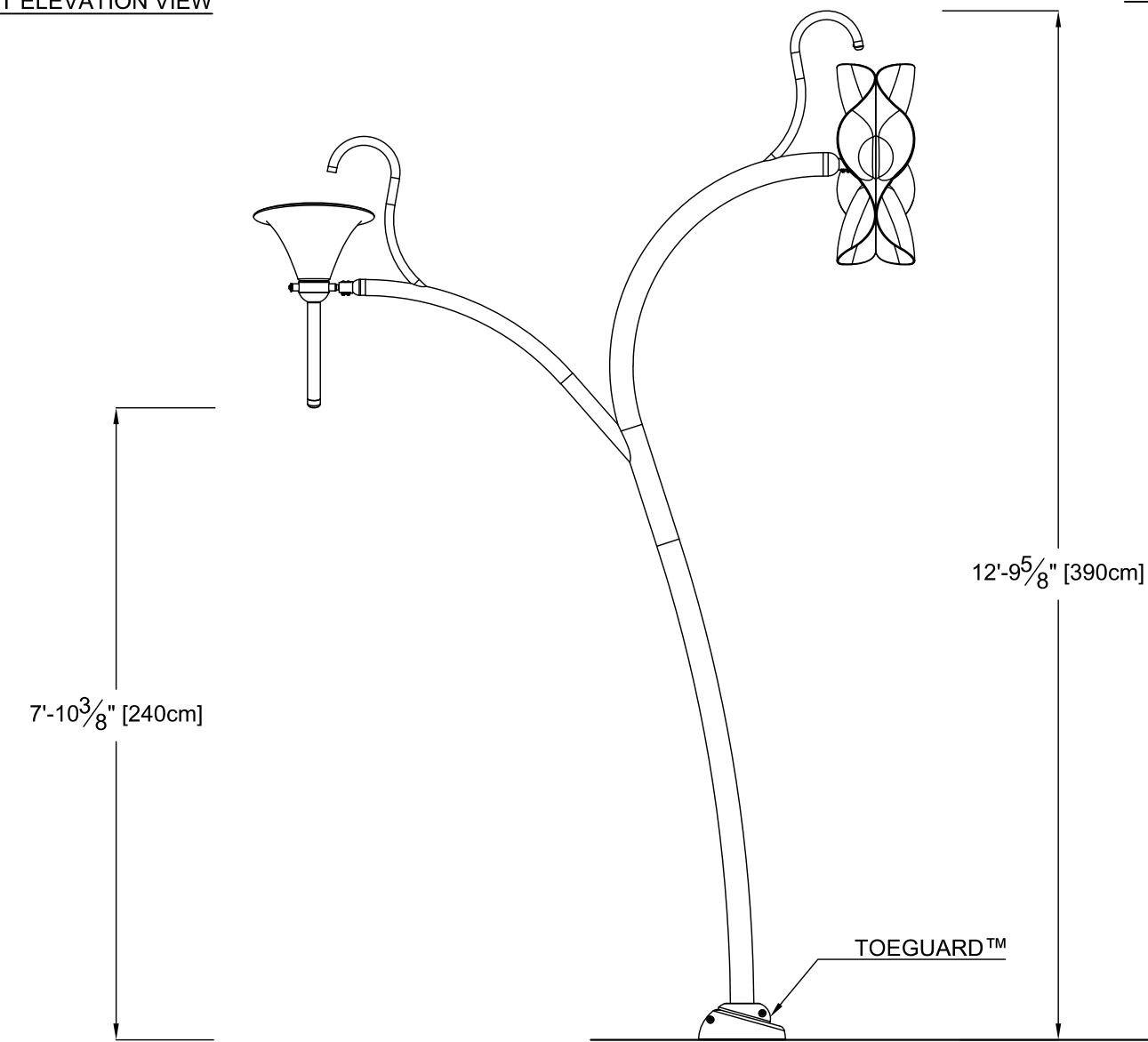
PLAN VIEW



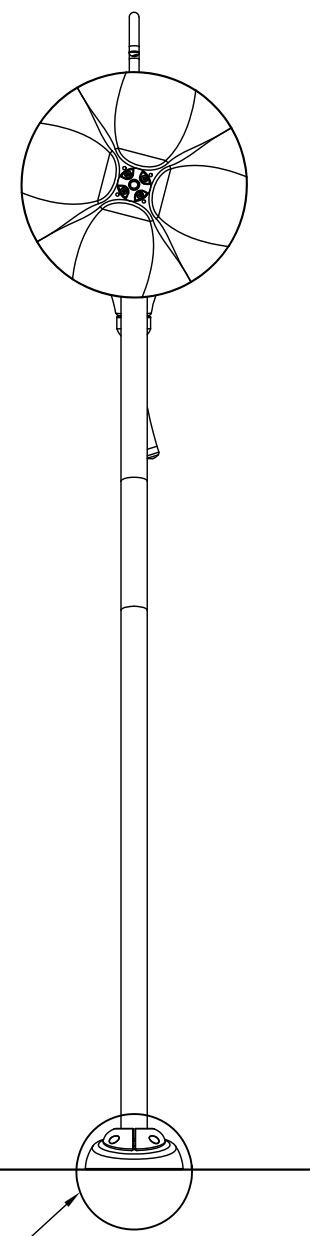
SAFESWAP ORIENTATION VIEW



FRONT ELEVATION VIEW



SIDE ELEVATION VIEW



TYPICAL ANCHORING SAFESWAP N°1

PRODUCT NAME: FLOWER NO 6				
PRODUCT NUMBER: VOR-7266.2XXX	DATE: 06/06/2024	SHEET NO: 1/1	11"x17" SHEET SIZE	

