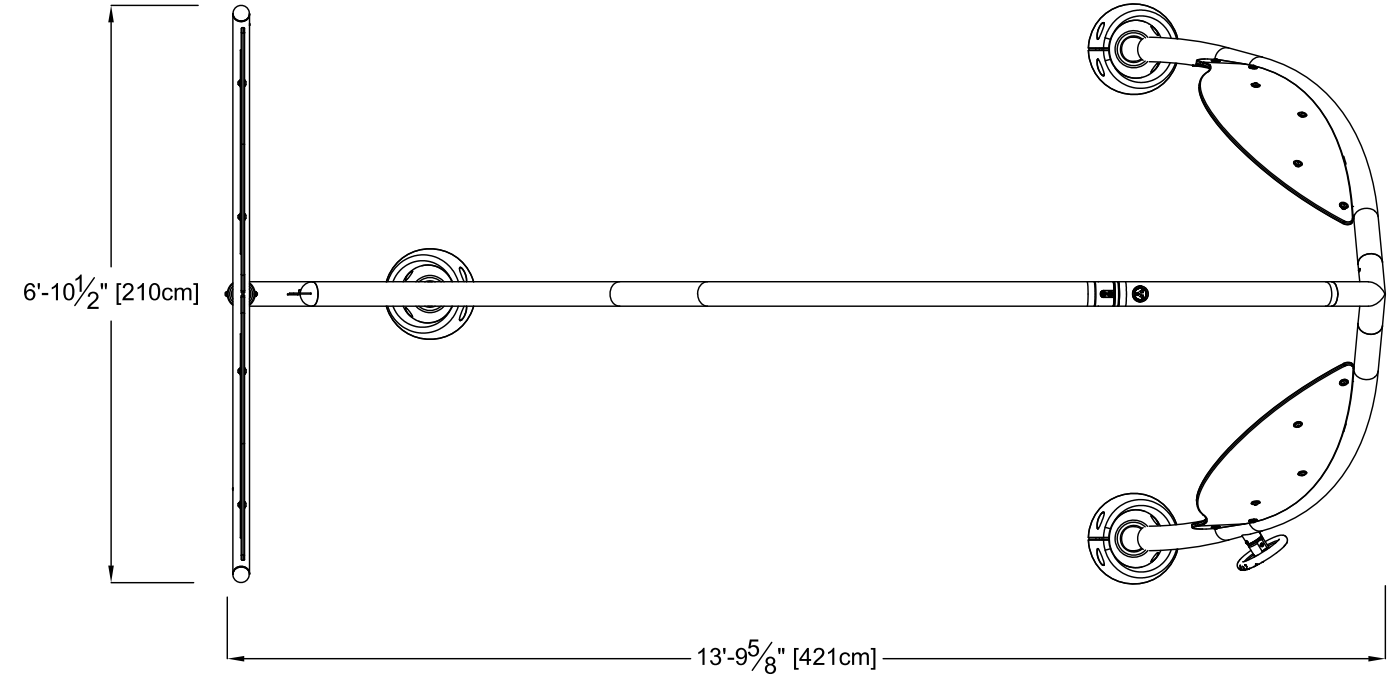
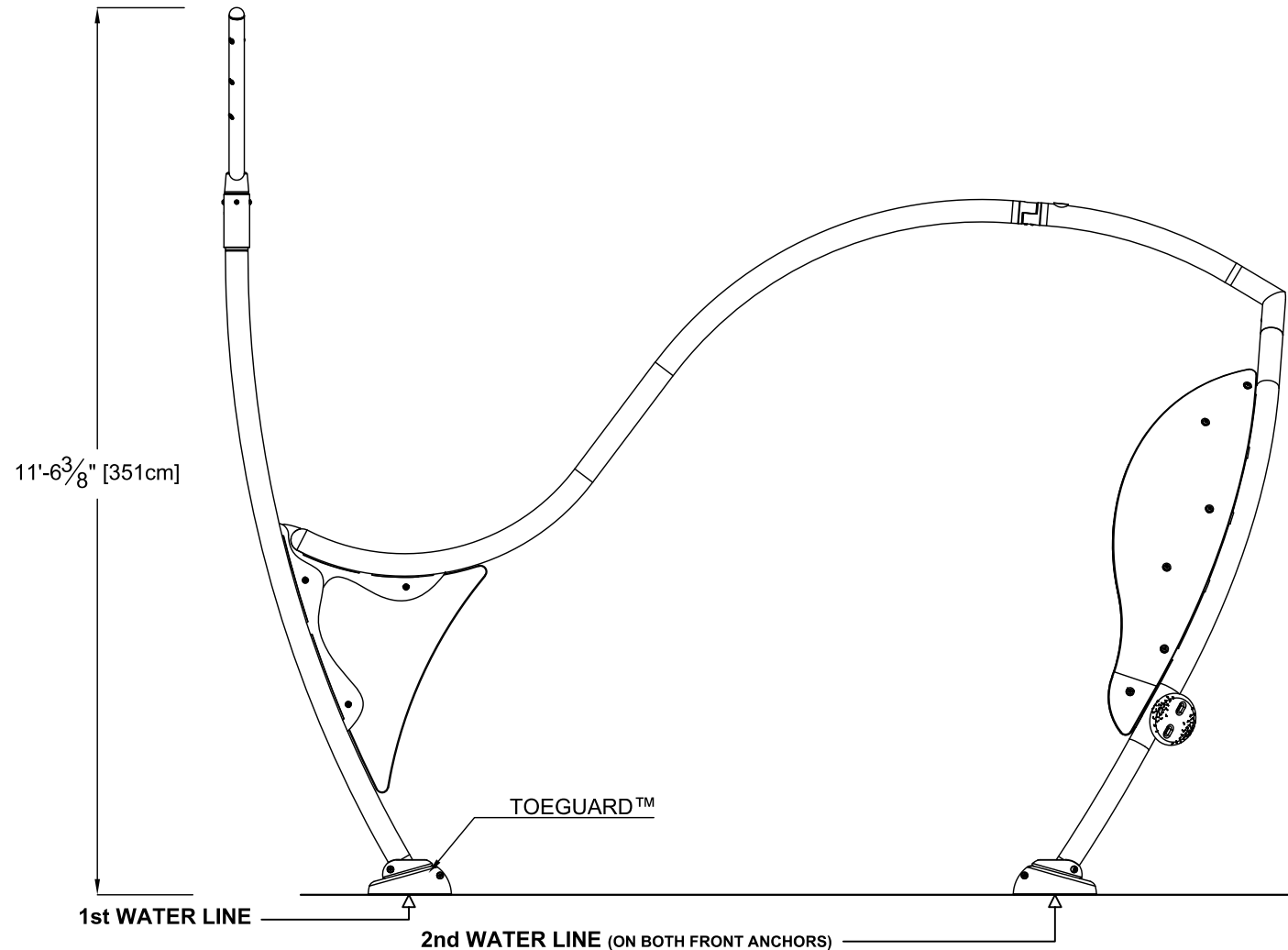


THESE DRAWINGS PROVIDE A GENERIC OVERVIEW OF THE INSTALLATION. THEY ARE NOT PROJECT SPECIFIC OR REFLECT ANY CUSTOMIZATION UNLESS NOTED. PLEASE CONTACT VORTEX AQUATIC STRUCTURES INTERNATIONAL FOR MORE DETAILS.

PLAN VIEW

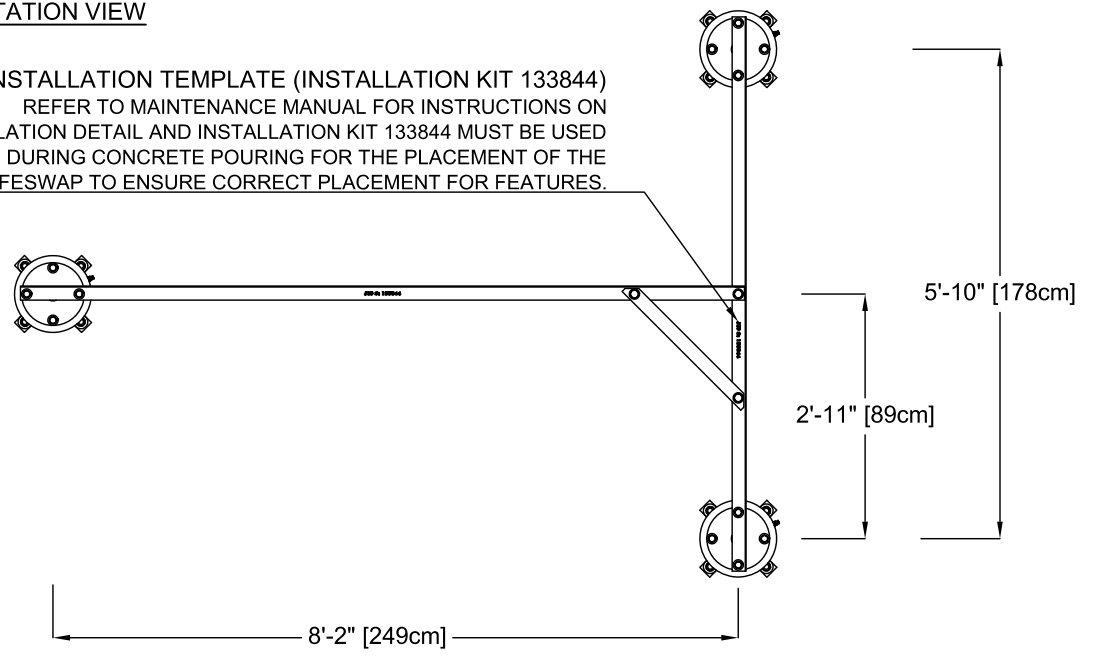


FRONT ELEVATION VIEW

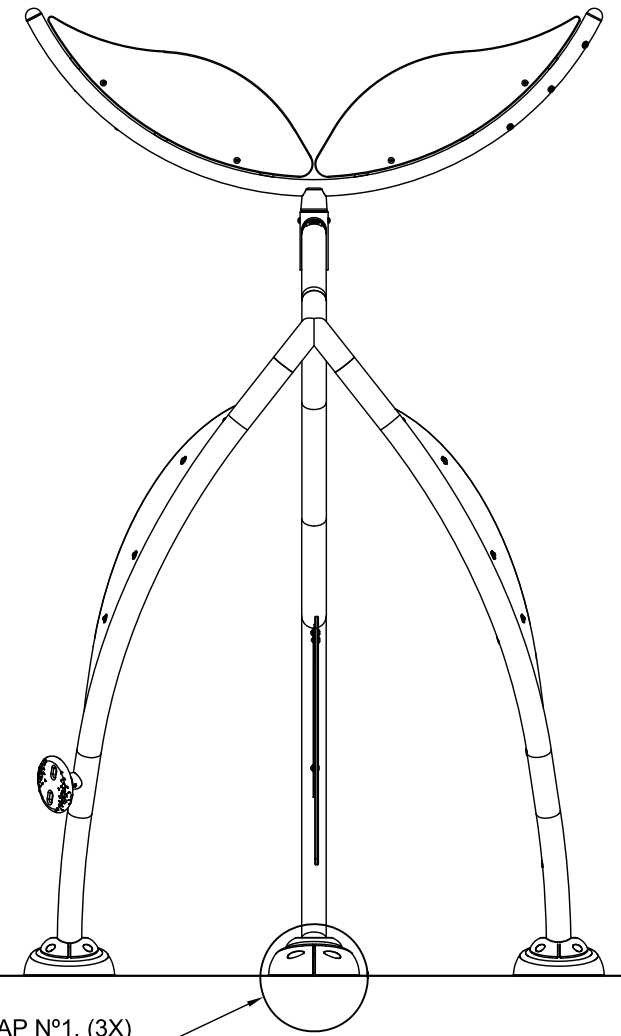


SAFESWAP ORIENTATION VIEW

INSTALLATION TEMPLATE (INSTALLATION KIT 133844)
 REFER TO MAINTENANCE MANUAL FOR INSTRUCTIONS ON
 INSTALLATION DETAIL AND INSTALLATION KIT 133844 MUST BE USED
 DURING CONCRETE POURING FOR THE PLACEMENT OF THE
 SAFESWAP TO ENSURE CORRECT PLACEMENT FOR FEATURES.



SIDE ELEVATION VIEW



PRODUCT NAME: SEA SILHOUETTE WHALE

PRODUCT NUMBER: VOR-7259

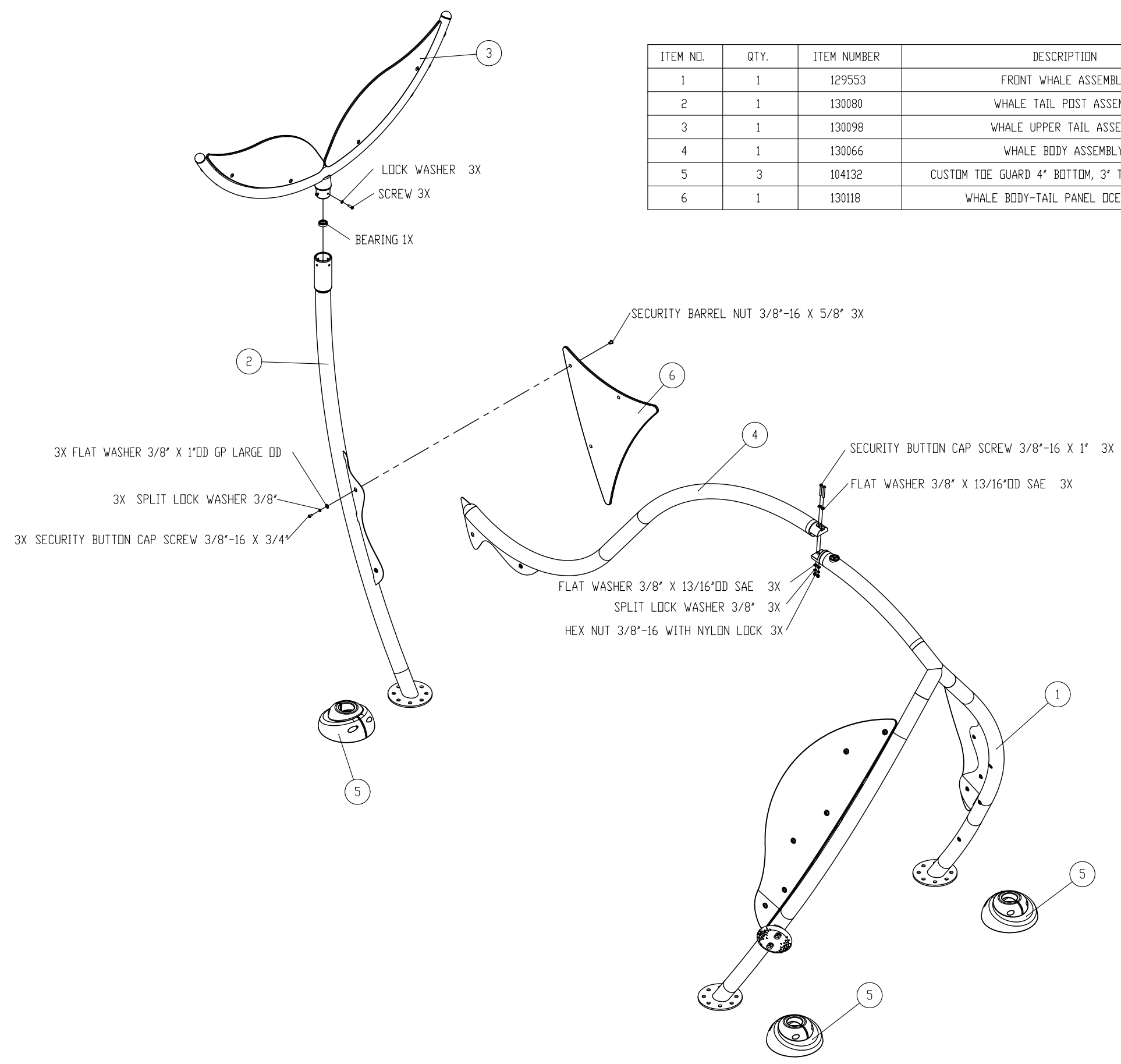
DATE: 01/02/2024

SHEET NO: 1/2

11"x17" SHEET SIZE



THESE DRAWINGS PROVIDE A GENERIC OVERVIEW OF THE INSTALLATION. THEY ARE NOT PROJECT SPECIFIC OR REFLECT ANY CUSTOMIZATION UNLESS NOTED. PLEASE CONTACT VORTEX AQUATIC STRUCTURES INTERNATIONAL FOR MORE DETAILS.



ITEM NO.	QTY.	ITEM NUMBER	DESCRIPTION	LENGTH	MATERIAL
1	1	129553	FRONT WHALE ASSEMBLY		STAINLESS STEEL
2	1	130080	WHALE TAIL POST ASSEMBLY		STAINLESS STEEL
3	1	130098	WHALE UPPER TAIL ASSEMBLY		STAINLESS STEEL
4	1	130066	WHALE BODY ASSEMBLY		STAINLESS STEEL
5	3	104132	CUSTOM TOE GUARD 4" BOTTOM, 3" TOP, ASSEMBLY		EPDM
6	1	130118	WHALE BODY-TAIL PANEL OCEAN BLUE		LEXANCOLOR

PRODUCT NAME: SEA SILHOUETTE WHALE		DATE: 01/02/2024		SHEET NO: 2/2		11"x17" SHEET SIZE	
PRODUCT NUMBER: VOR-7259							

