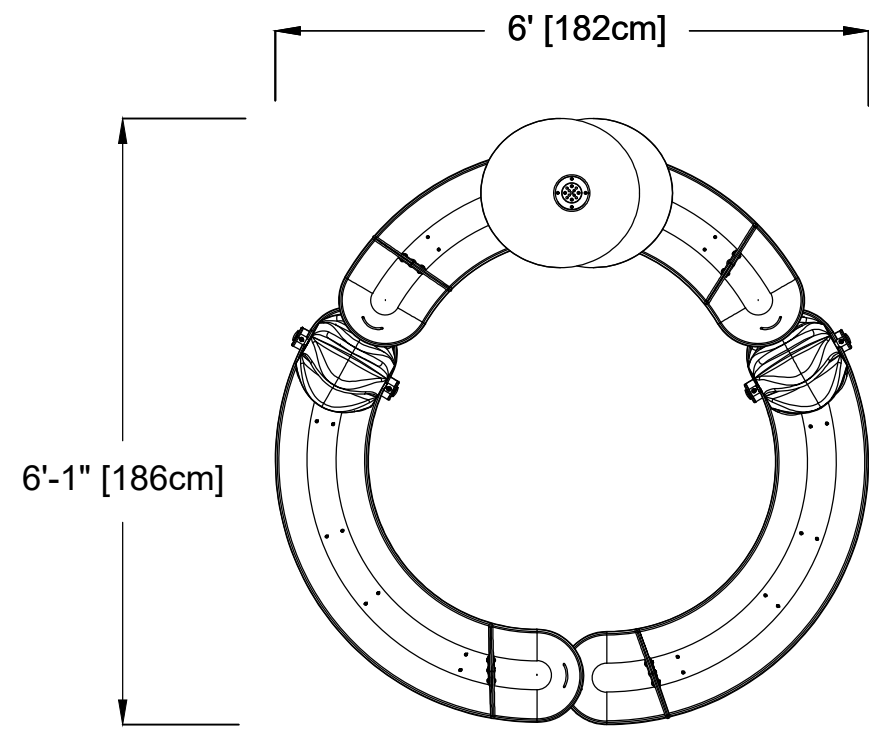
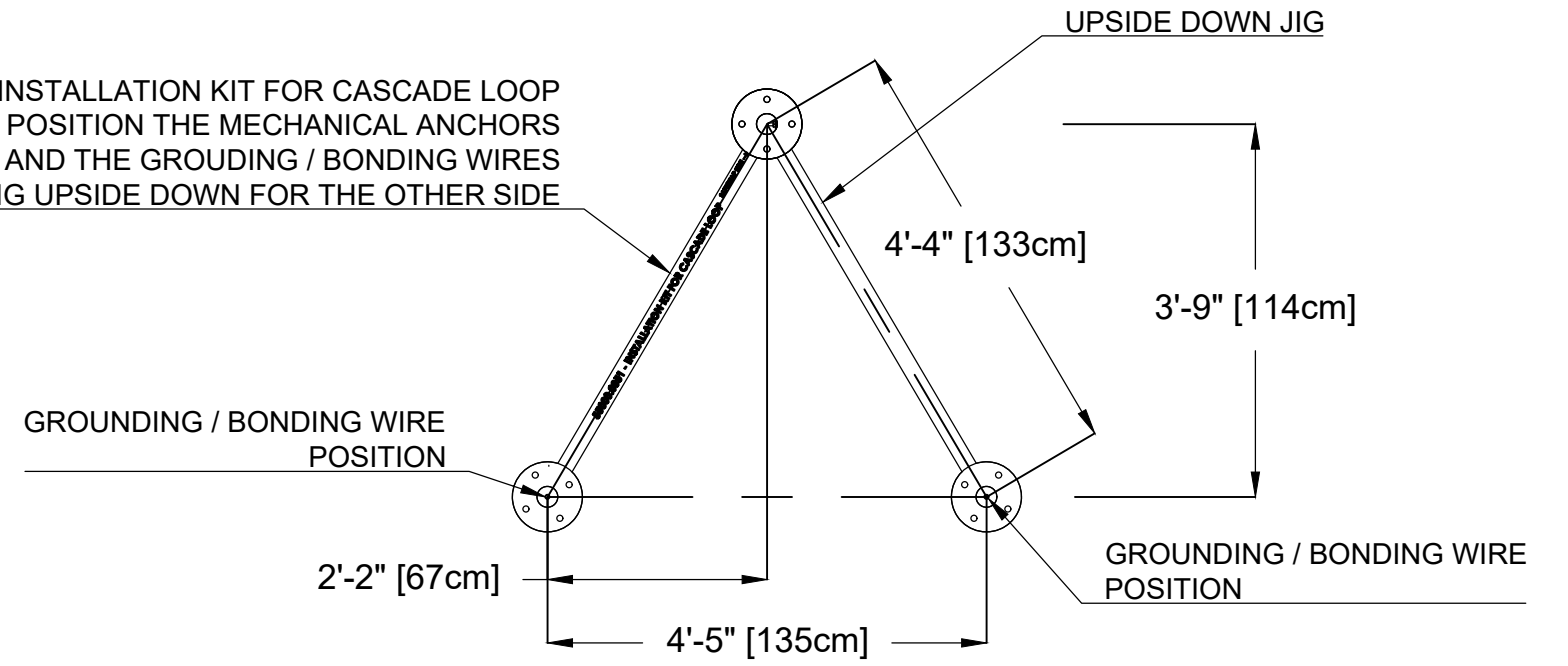


PLAN VIEW

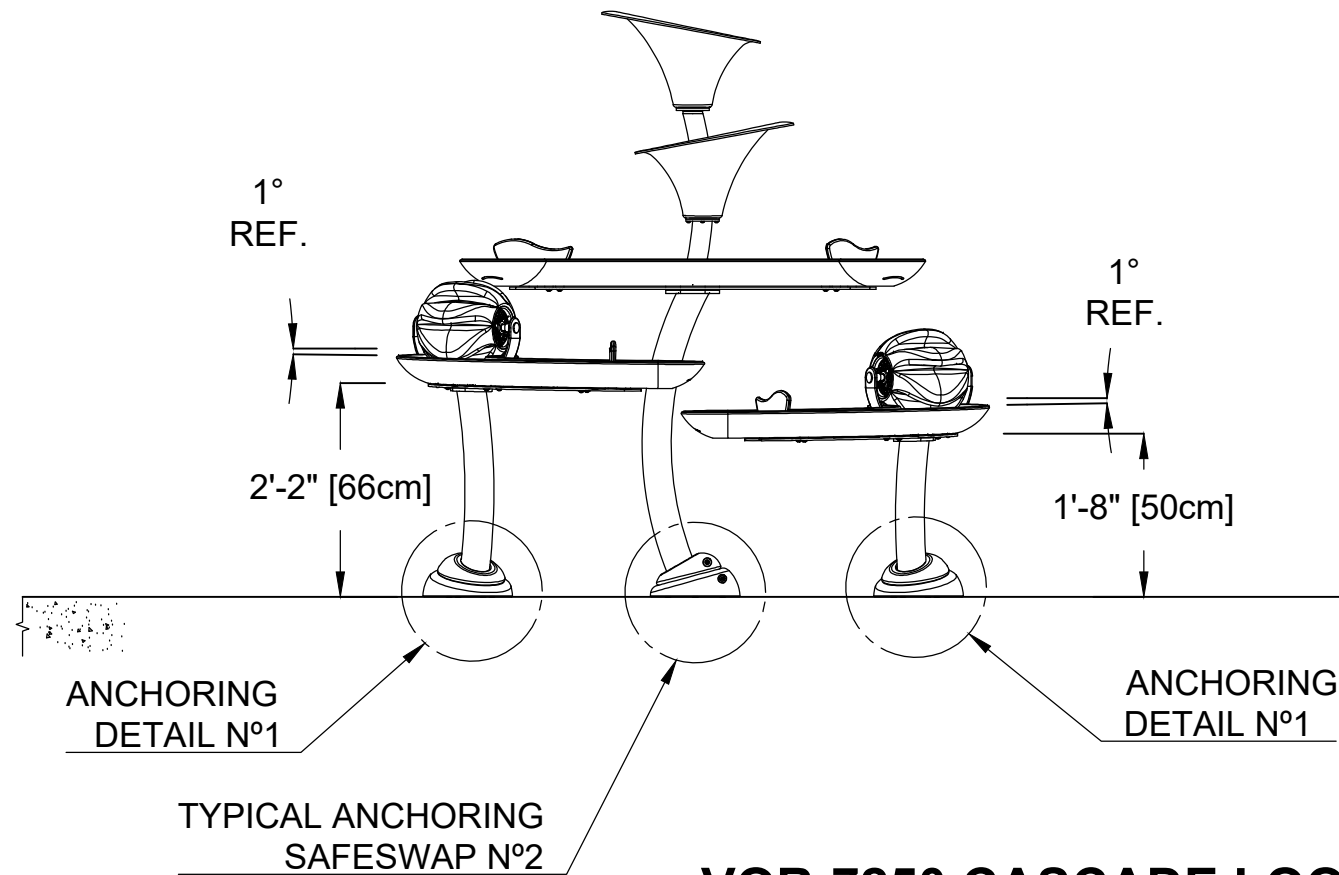


ANCHORING LOCATIONS

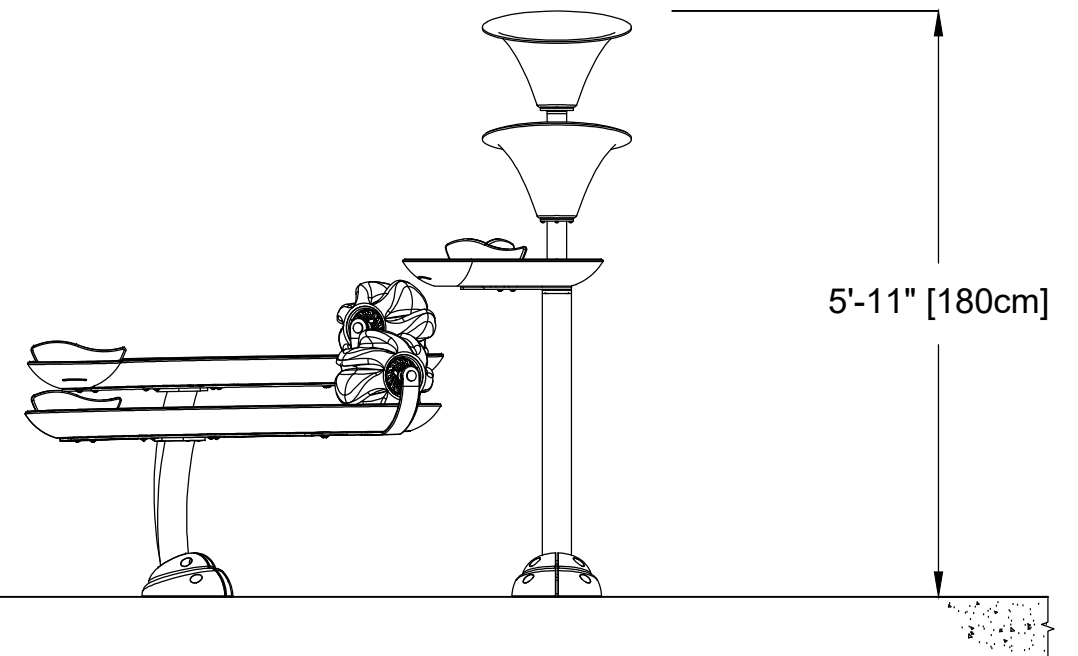
55000.0851 - INSTALLATION KIT FOR CASCADE LOOP  
 USE TO POSITION THE MECHANICAL ANCHORS  
 AND THE GROUING / BONDING WIRES  
 FLIP THE JIG UPSIDE DOWN FOR THE OTHER SIDE



FRONT ELEVATION VIEW



SIDE ELEVATION VIEW



**VOR-7250 CASCADE LOOP (Construction Detail)**

PRODUCT NAME: CASCADE LOOP

PRODUCT INFORMATION

PRODUCT NUMBER: VOR-7250

DATE: 04/30/21

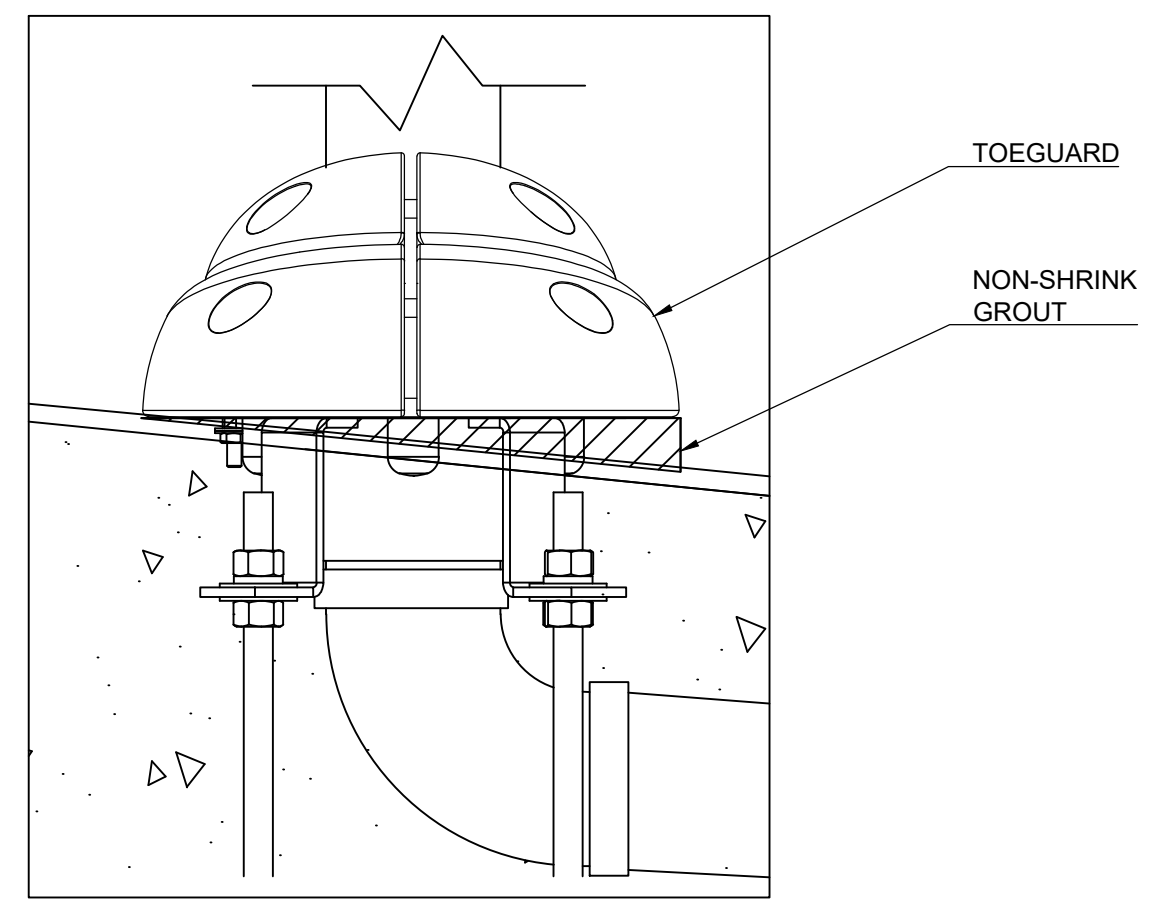
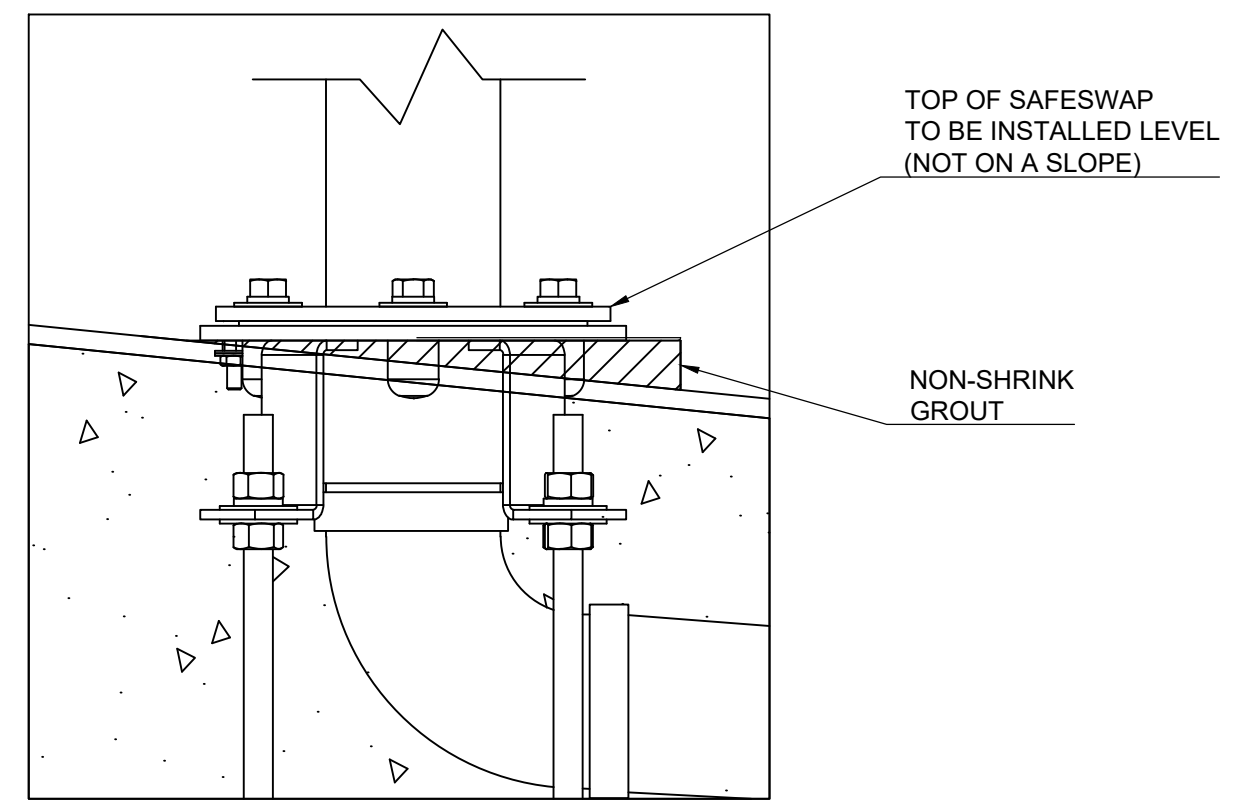
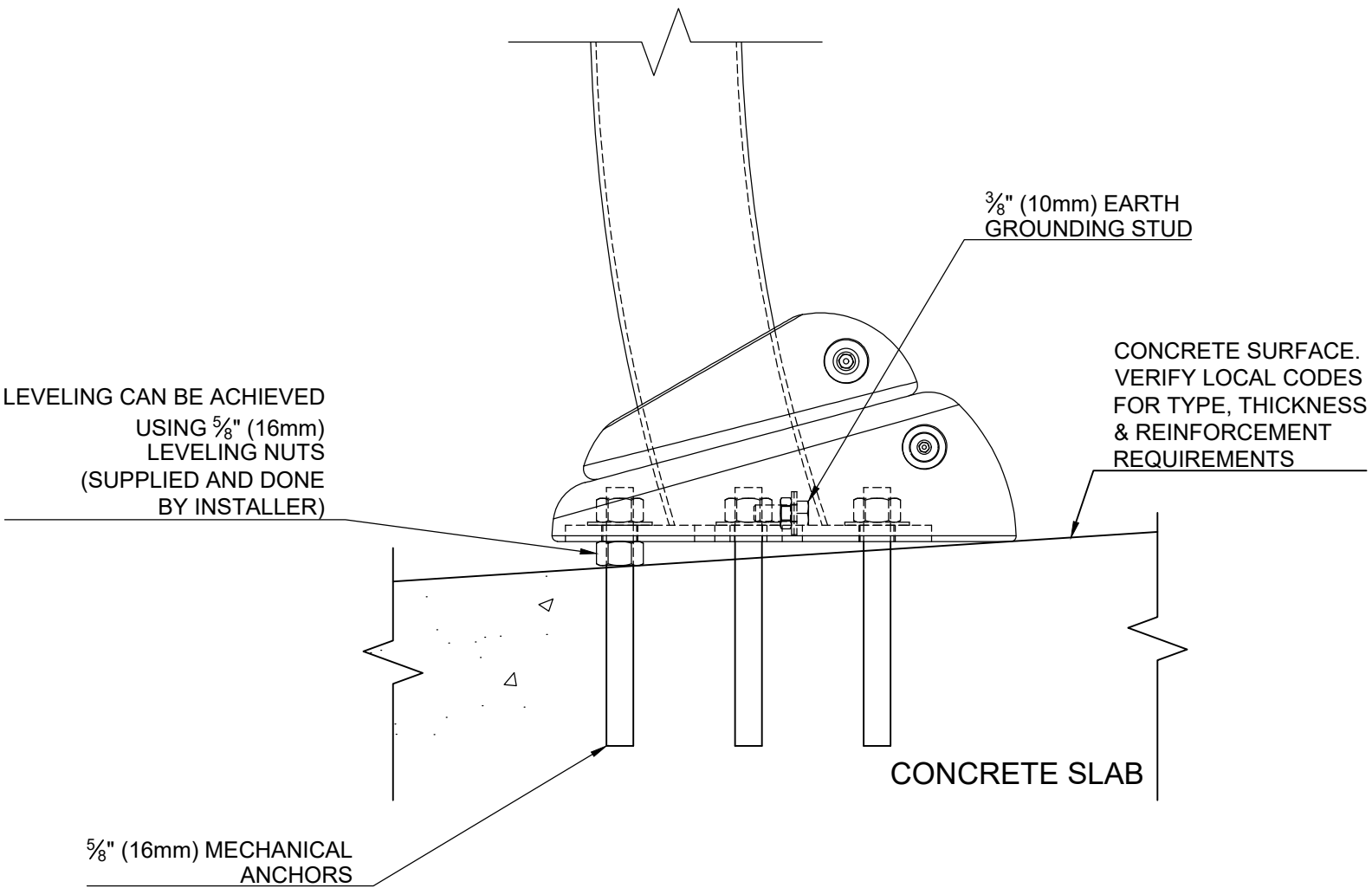
SHEET NO: 1/2

11"x17" SHEET SIZE



# ANCHORING DETAIL N°1

# SAFESWAP N°2 DETAIL



## VOR-7250 CASCADE LOOP (Construction Detail)

PRODUCT NAME:	CASCADE LOOP
PRODUCT NUMBER:	VOR-7250

PRODUCT INFORMATION		
DATE: 03/19/21	SHEET NO: 2/2	11"x17" SHEET SIZE

