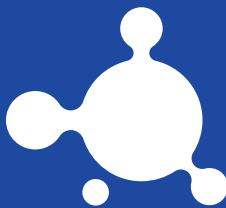


**Glomist**



**VORTEX**

Glomist

Version 1 August 2022

© Vortex Aquatic Structures International, 2022

This document may not be reproduced, copied or used for other purposes than stipulated without the prior written authorization of Vortex Aquatic Structures International Inc. The information herein may be modified without notice.

Vortex Aquatic Structures International Inc. has manufactured or assembled all structures and components described in this manual.

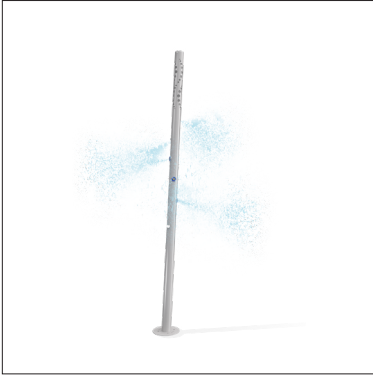
All plans, drawings, documents and text herein are the property of Vortex in perpetuity, and may not be reproduced, in whole or in part, without the prior written authorization of Vortex Aquatic Structures International Inc.

ALL RIGHTS RESERVED.

# TABLE OF CONTENTS

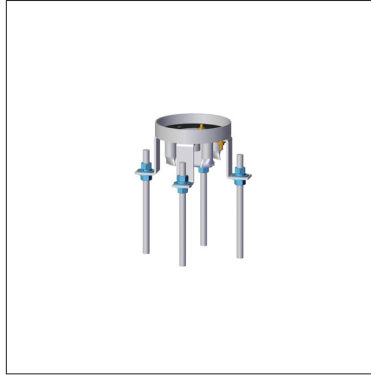
---

## FAMILY OVERVIEW



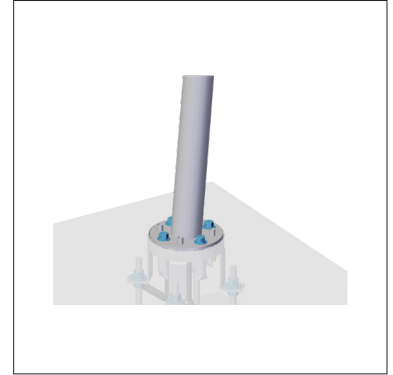
PAGE 4

## INSTALLATION ANCHOR



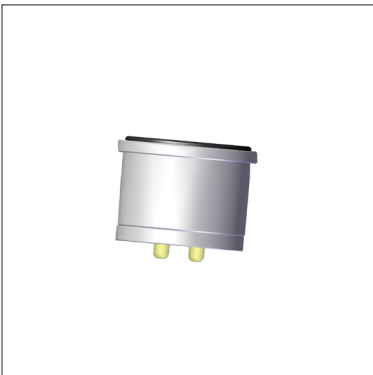
PAGE 5

## PRODUCT INSTALLATION



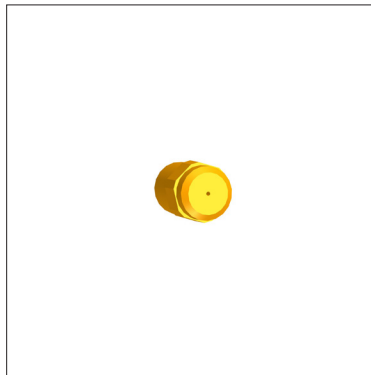
PAGE 6

## SOLAR ENCLOSURE



PAGE 7

## NOZZLE CLEANING



PAGE 8

## REPLACEMENT HYDRAULIC ACTIVATOR

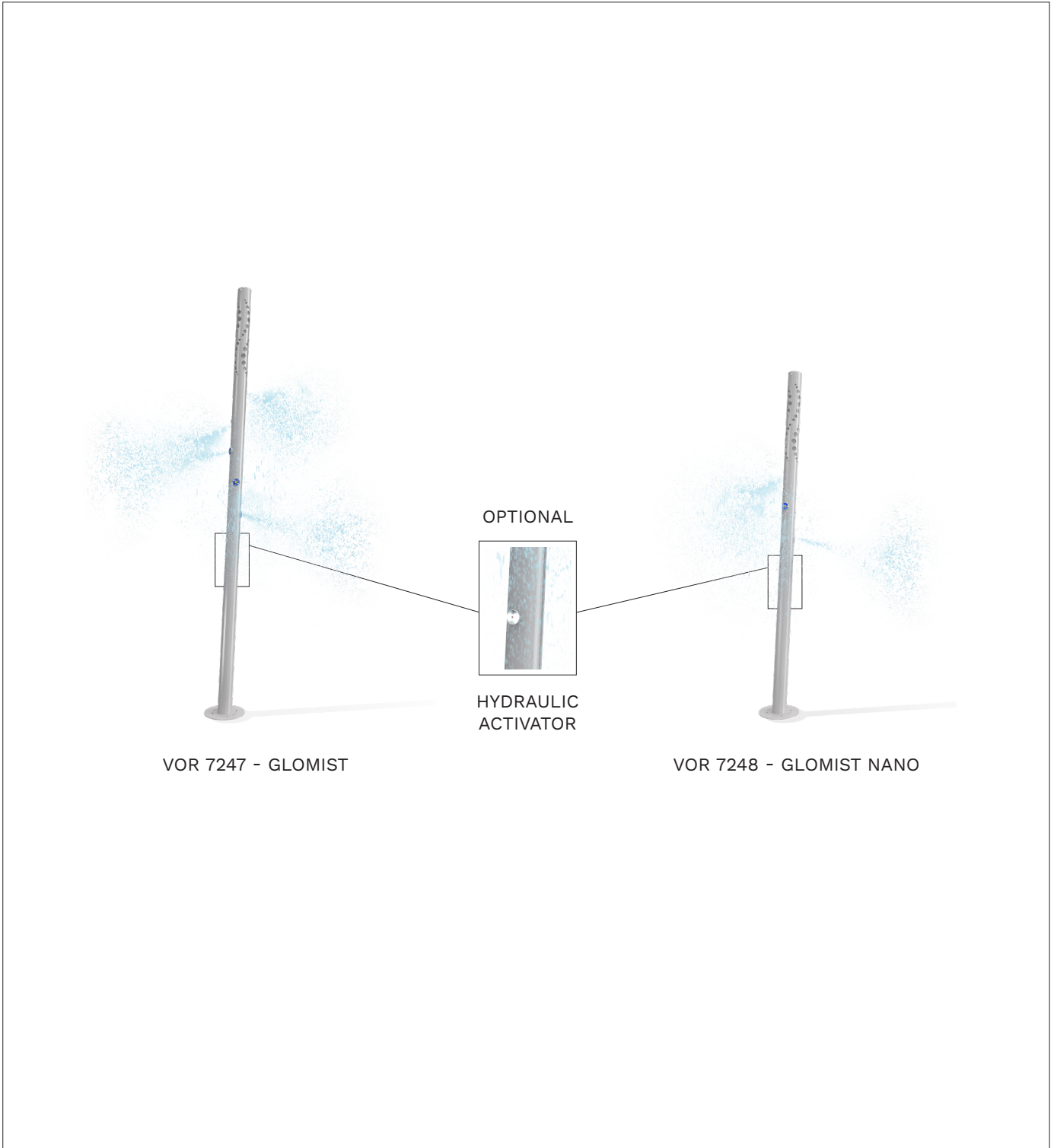


PAGE 9

# GLOMIST

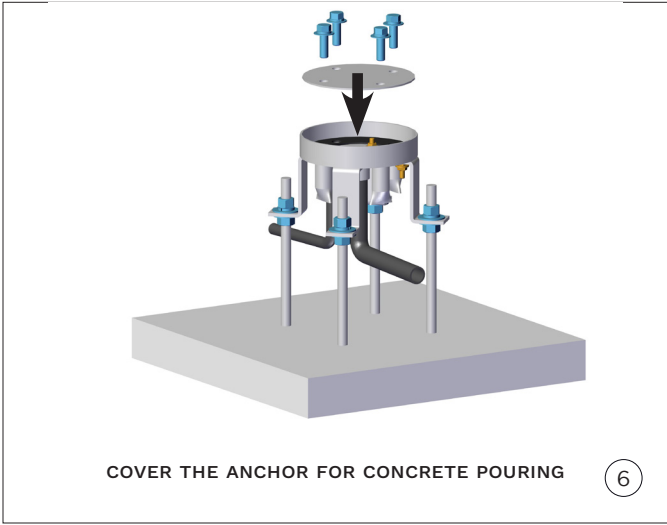
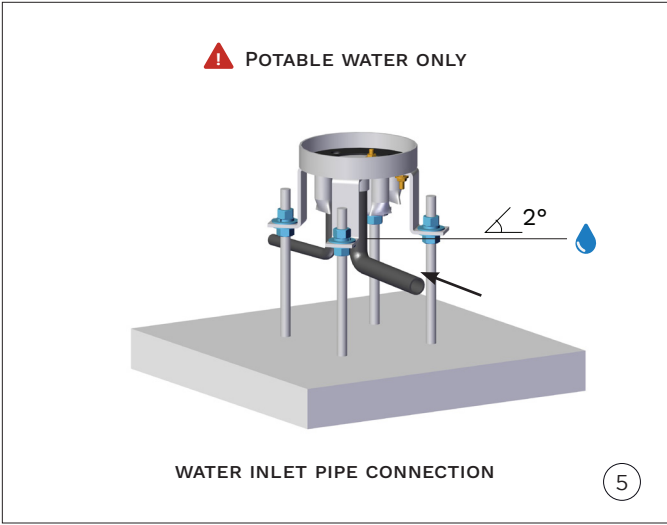
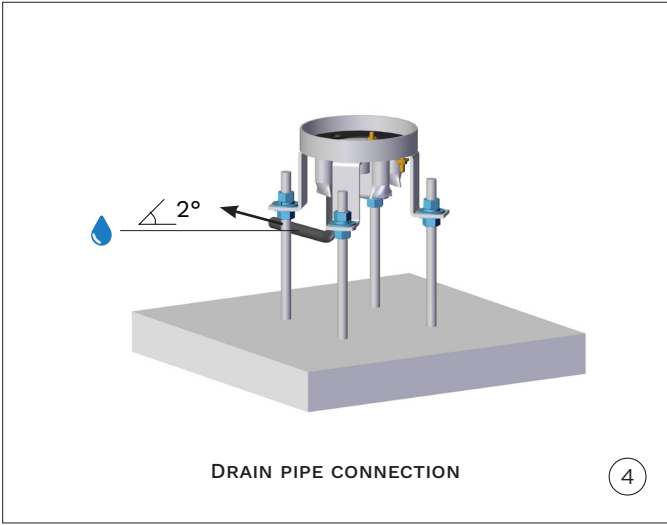
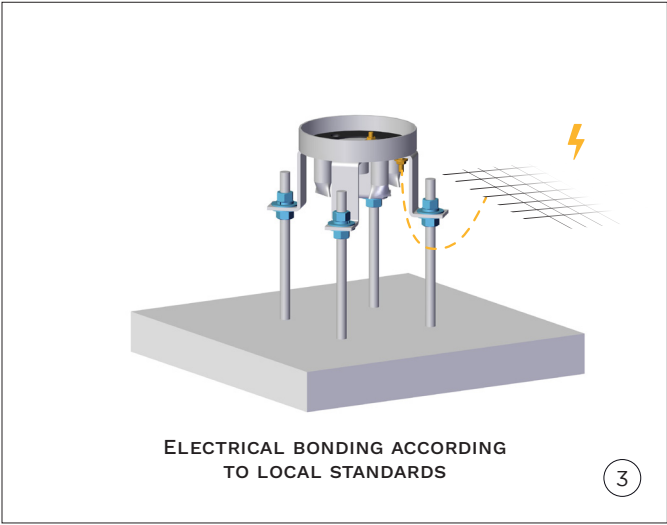
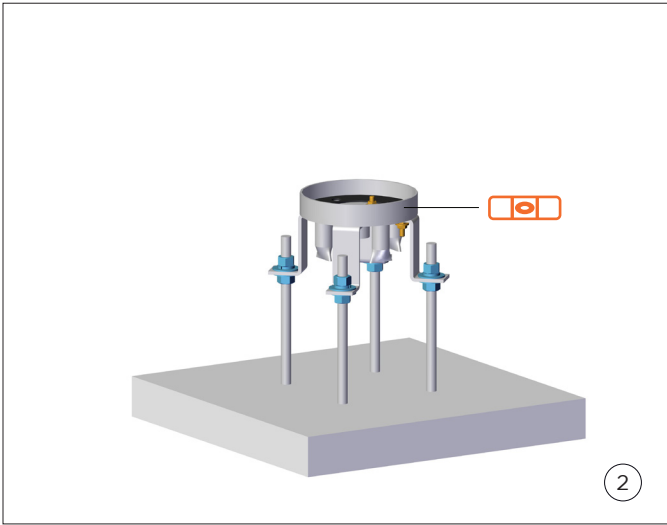
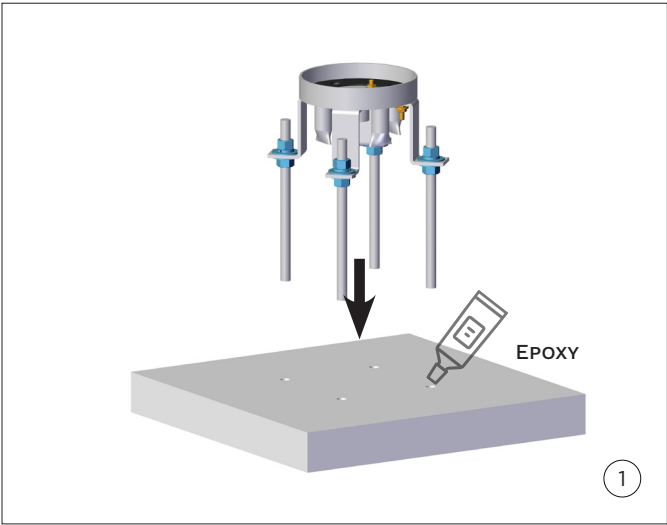
## FAMILY OVERVIEW

**! GLOMIST REQUIRES A BACKFLOW PREVENTER SUPPLIED AND INSTALLED BY THE INSTALLER. THE PRODUCT CAN ONLY BE CONNECTED TO A POTABLE WATER SYSTEM. FAVOUR A SOUTH ORIENTATION OF THE SOLAR PANEL WHEN INSTALLING.**

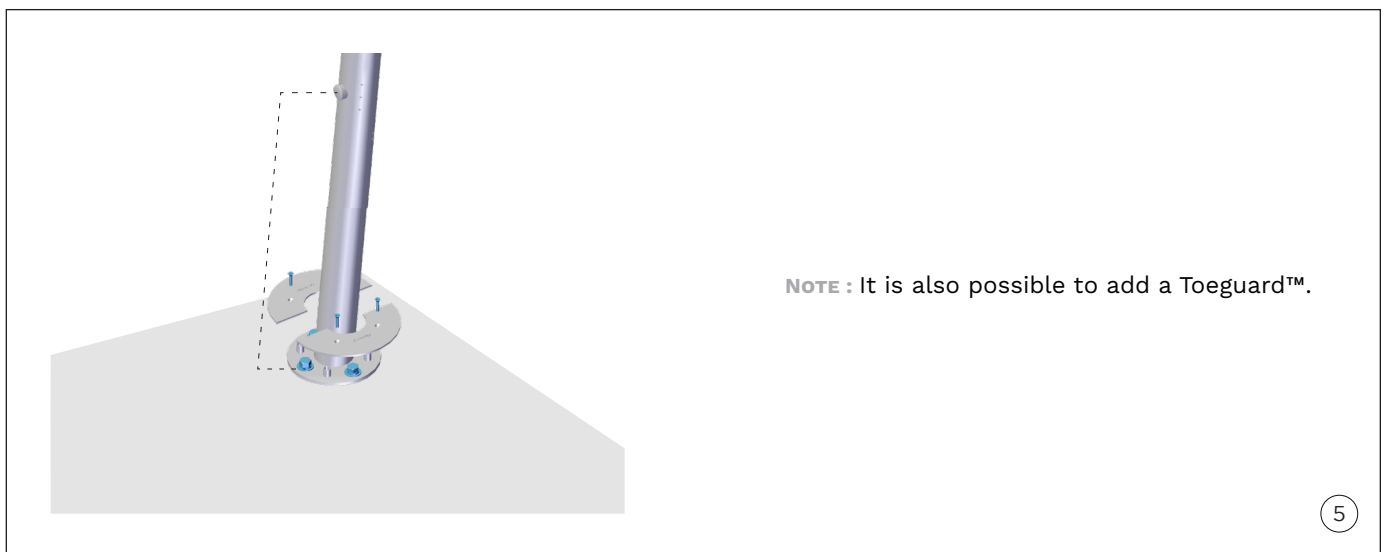
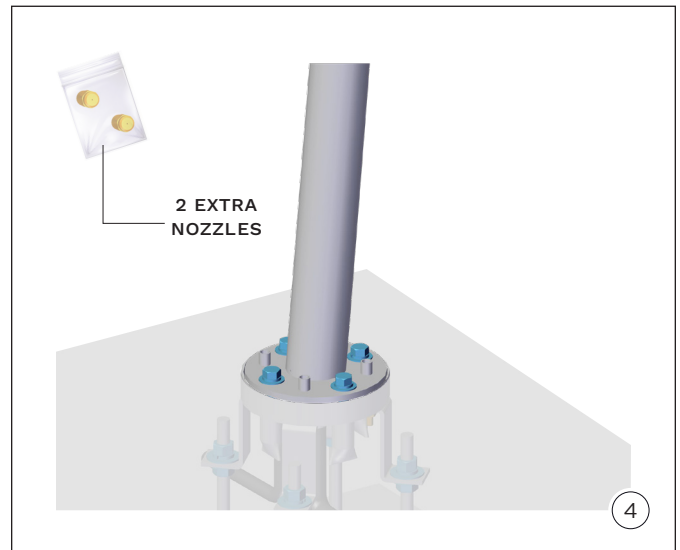
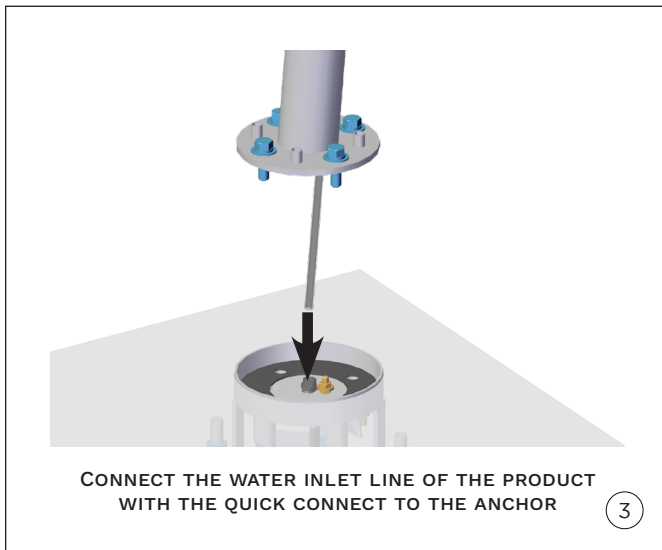
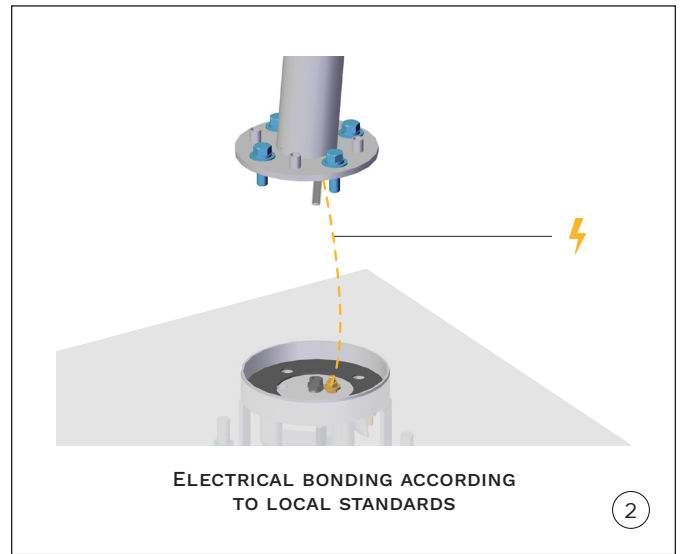
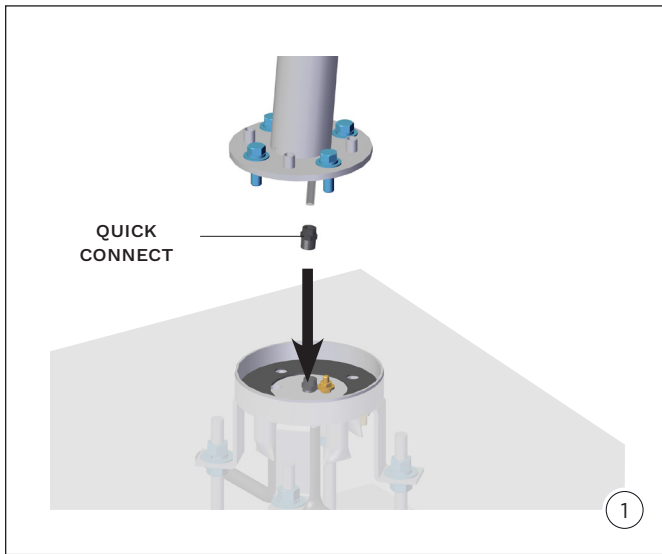


# GLOMIST - ANCHORING SYSTEM INSTALLATION

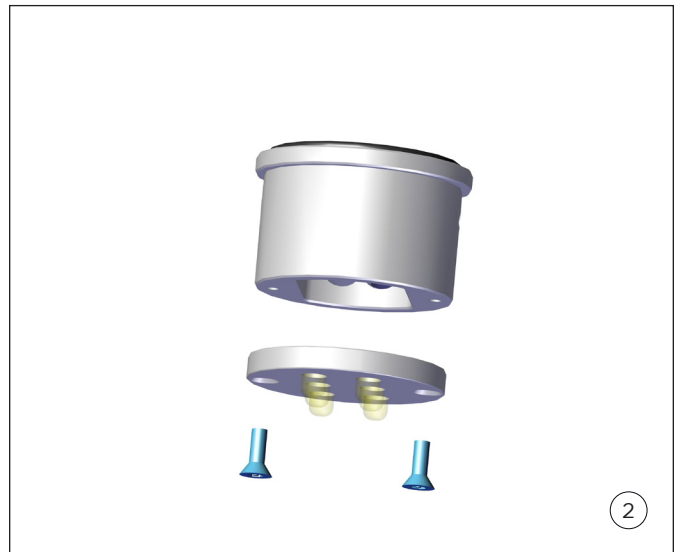
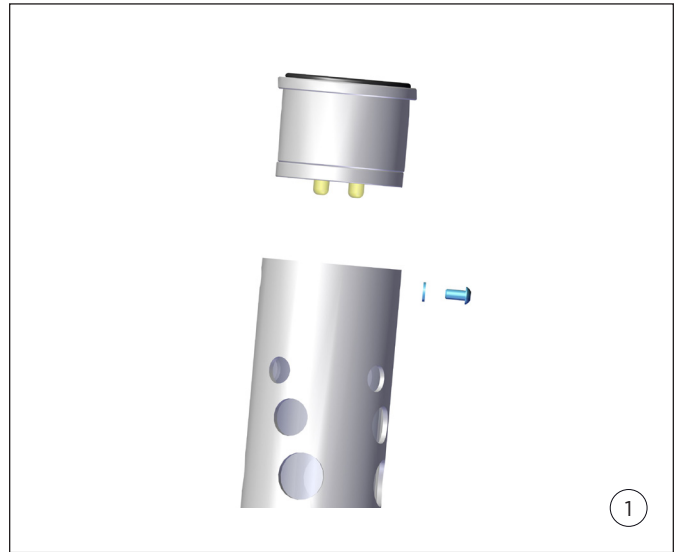
**! SEE THE INSTALLATION DRAWINGS AND THE PIPING AND CONNECTION DIAGRAM FOR MORE INFORMATION.**



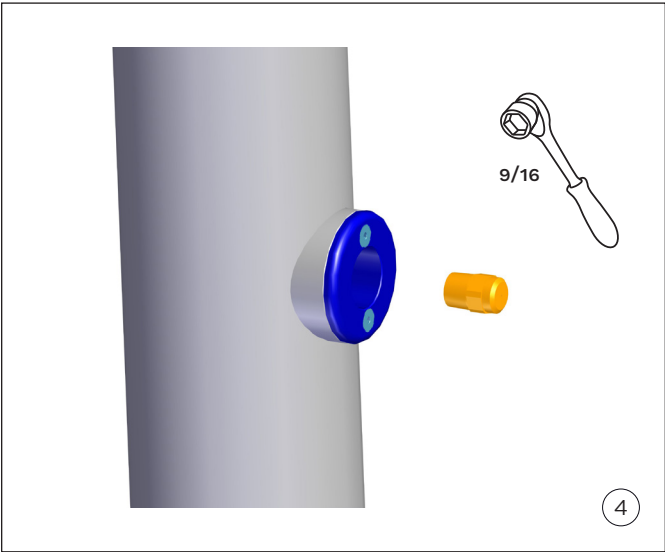
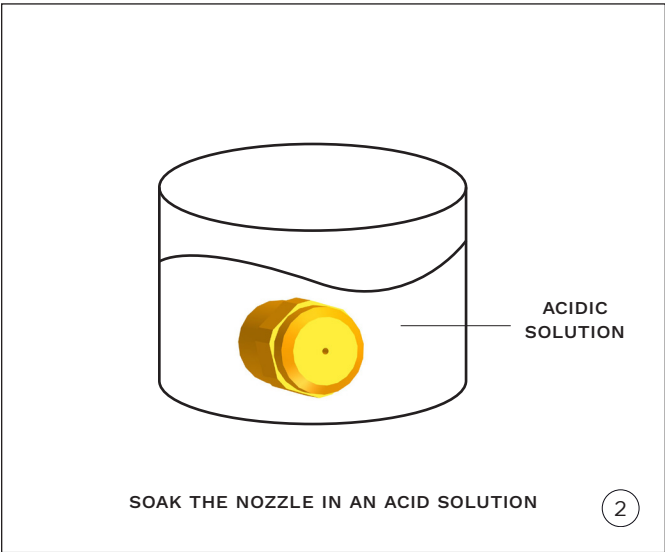
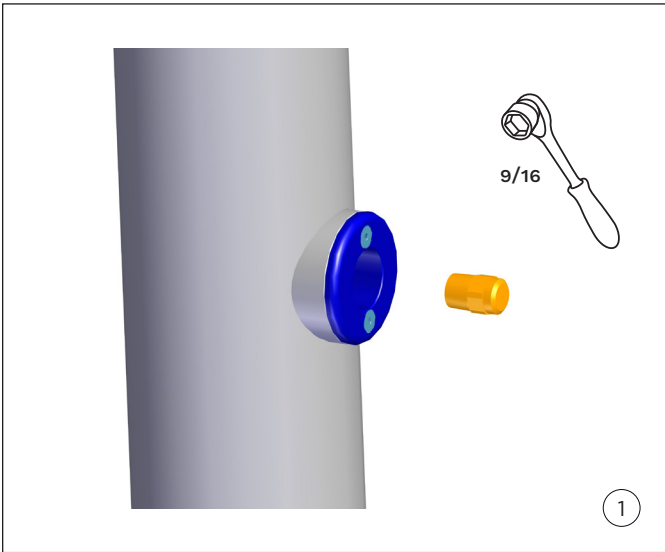
# GLOMIST - PRODUCT INSTALLATION ON THE ANCHOR



# GLOMIST - SOLAR ENCLOSURE



# GLOMIST - NOZZLE CLEANING





# GLOMIST - REPLACEMENT OF THE HYDRAULIC ACTUATOR

