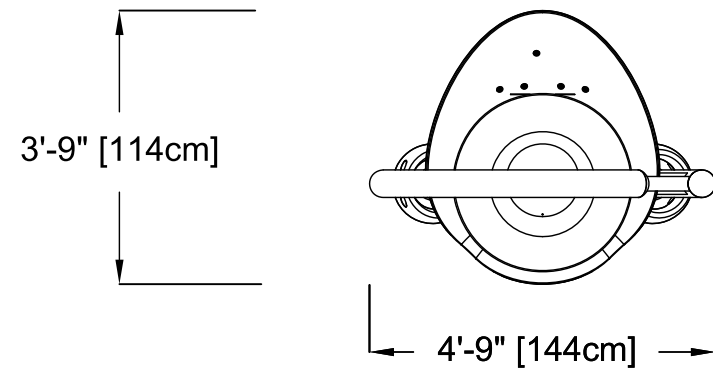
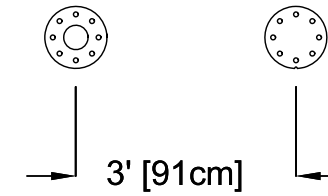


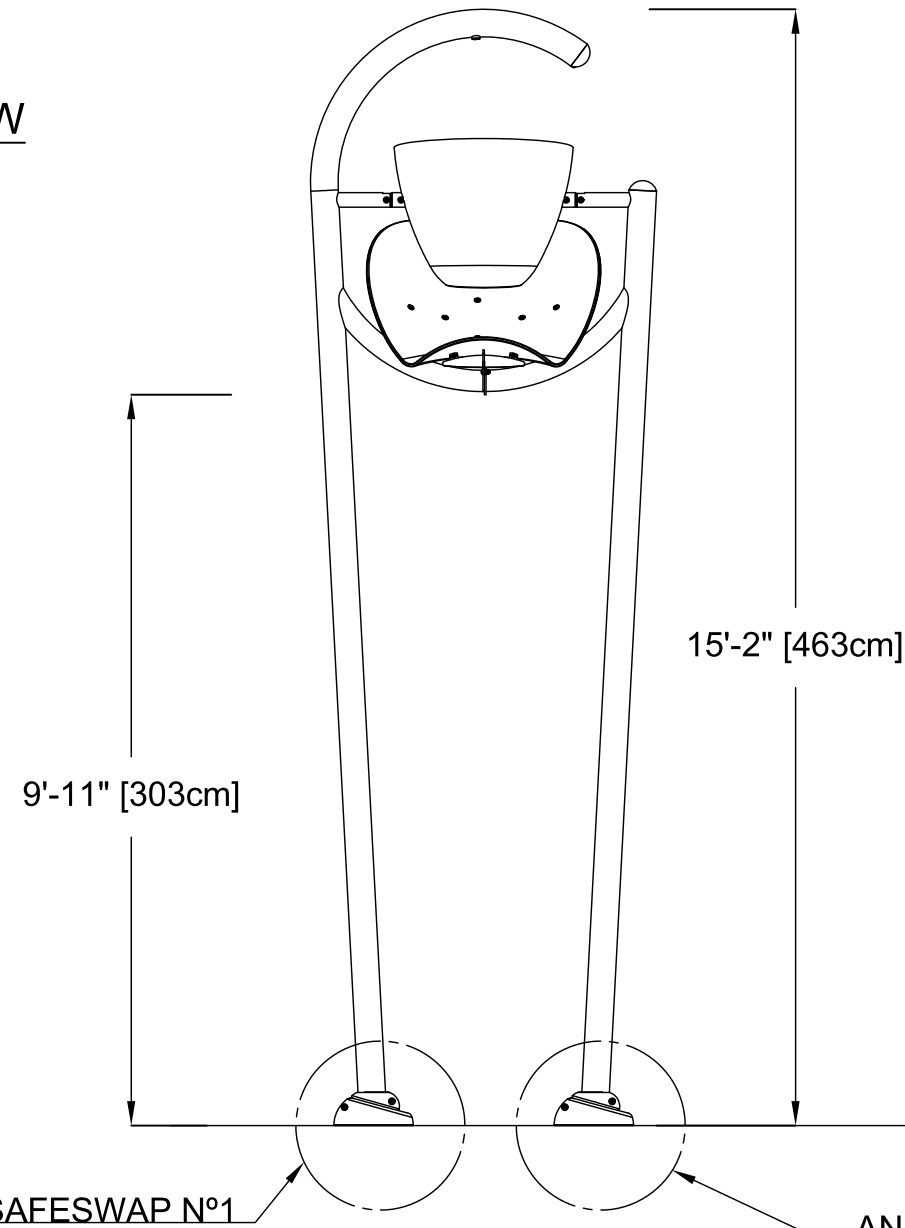
PLAN VIEW



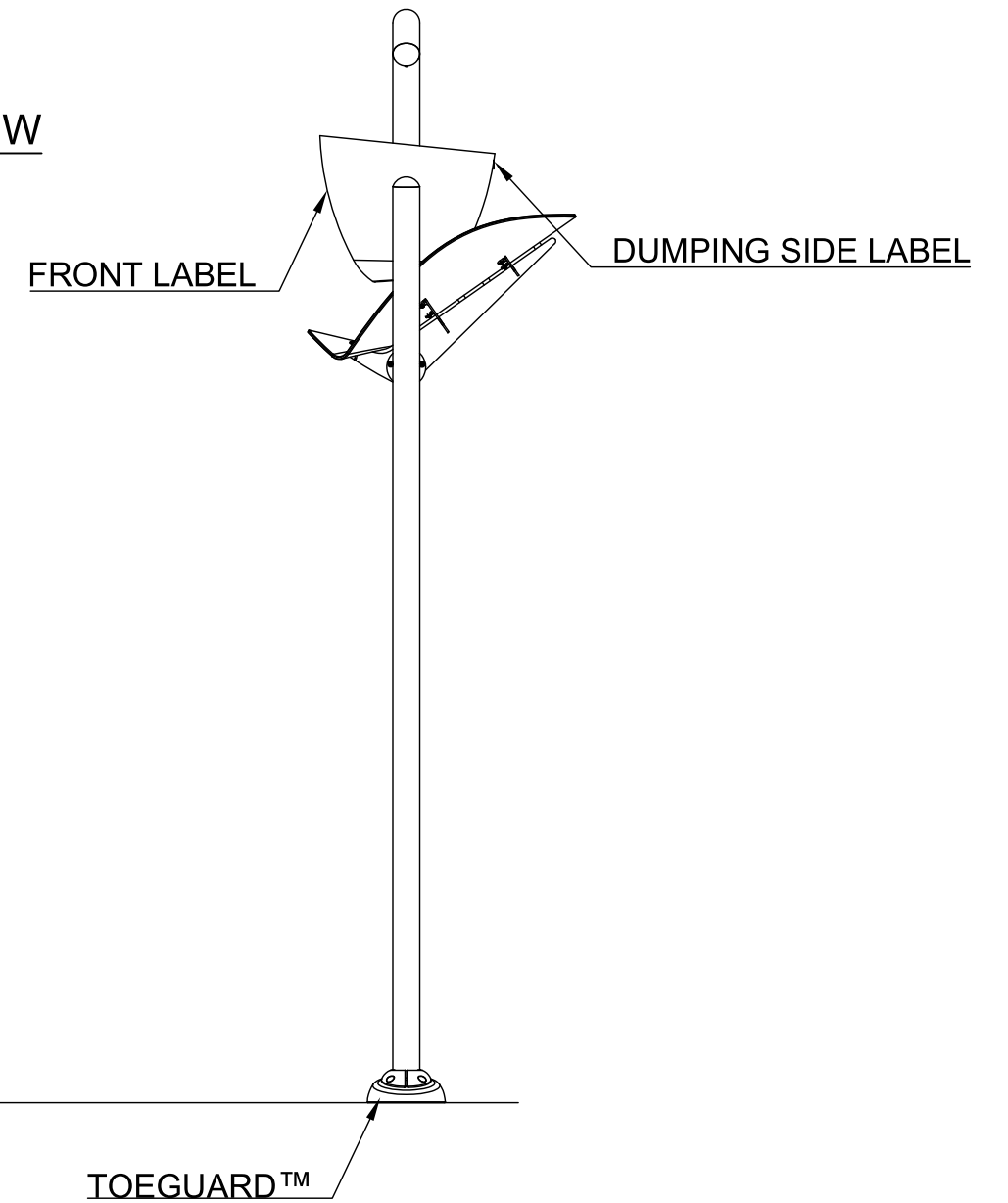
ANCHORING LOCATION



FRONT ELEVATION VIEW



SIDE ELEVATION VIEW



PRODUCT NAME: **TWINSPLASH**

PRODUCT INFORMATION

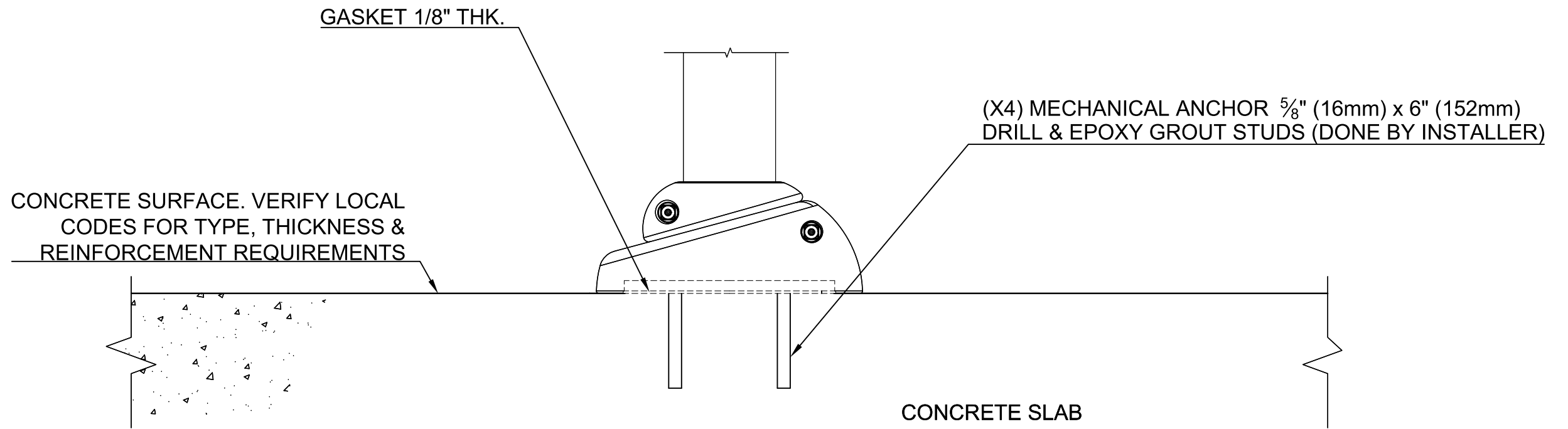
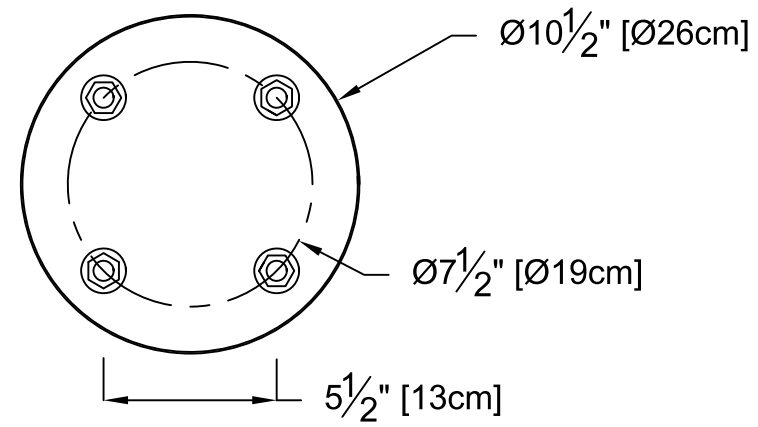
PRODUCT NUMBER: **VOR-7242.2XXX**

DATE: 09/03/24

SHEET NO: 1/2

11"x17" SHEET SIZE





PRODUCT NAME: TWINSPLASH (ANCHORING DETAIL)

PRODUCT INFORMATION

PRODUCT NUMBER: VOR-7242.2XXX

DATE: 09/03/24

SHEET NO: 2/2

11"x17" SHEET SIZE

