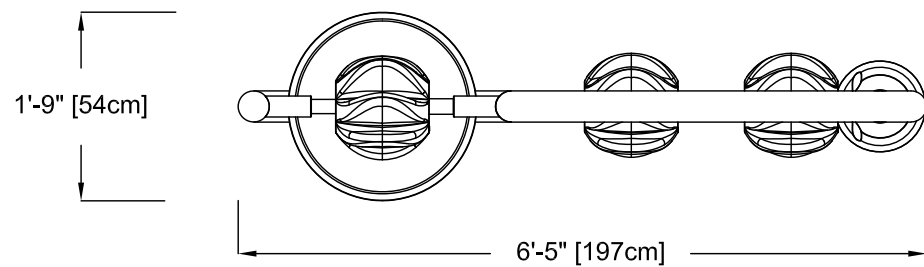
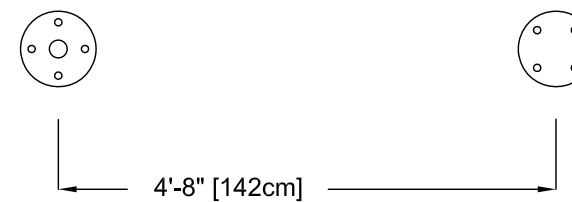


THESE DRAWINGS PROVIDE A GENERIC OVERVIEW OF THE INSTALLATION. THEY ARE NOT PROJECT SPECIFIC OR REFLECT ANY CUSTOMIZATION UNLESS NOTED. PLEASE CONTACT VORTEX AQUATIC STRUCTURES INTERNATIONAL FOR MORE DETAILS.

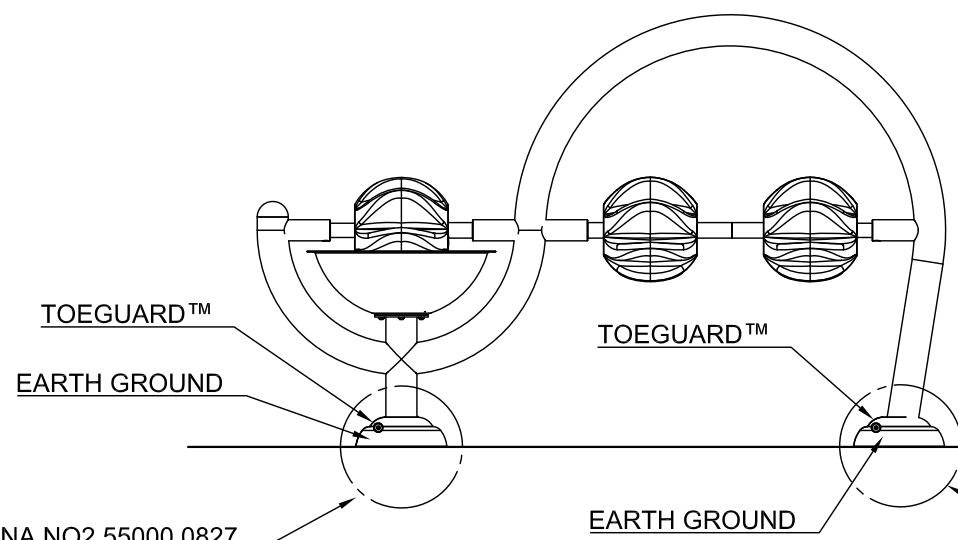
PLAN VIEW



ANCHORING LOCATIONS

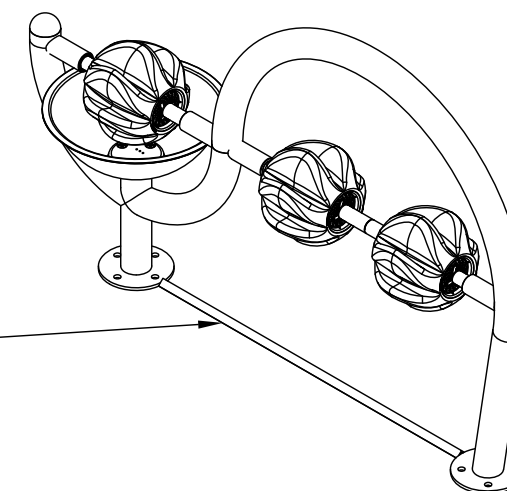


FRONT ELEVATION VIEW

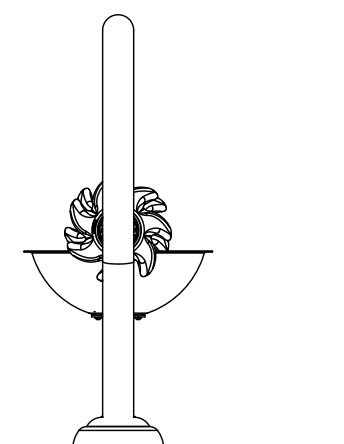


SIDE ELEVATION VIEW

**DO NOT REMOVE CROSS BAR UNTIL BOTH LEGS ARE ANCHORED**



4'-1" [124cm]



SURFACE MOUNT ANCHORING DETAIL

PRODUCT NAME: LUNA No.2

PRODUCT NUMBER: 7231.2XXXX

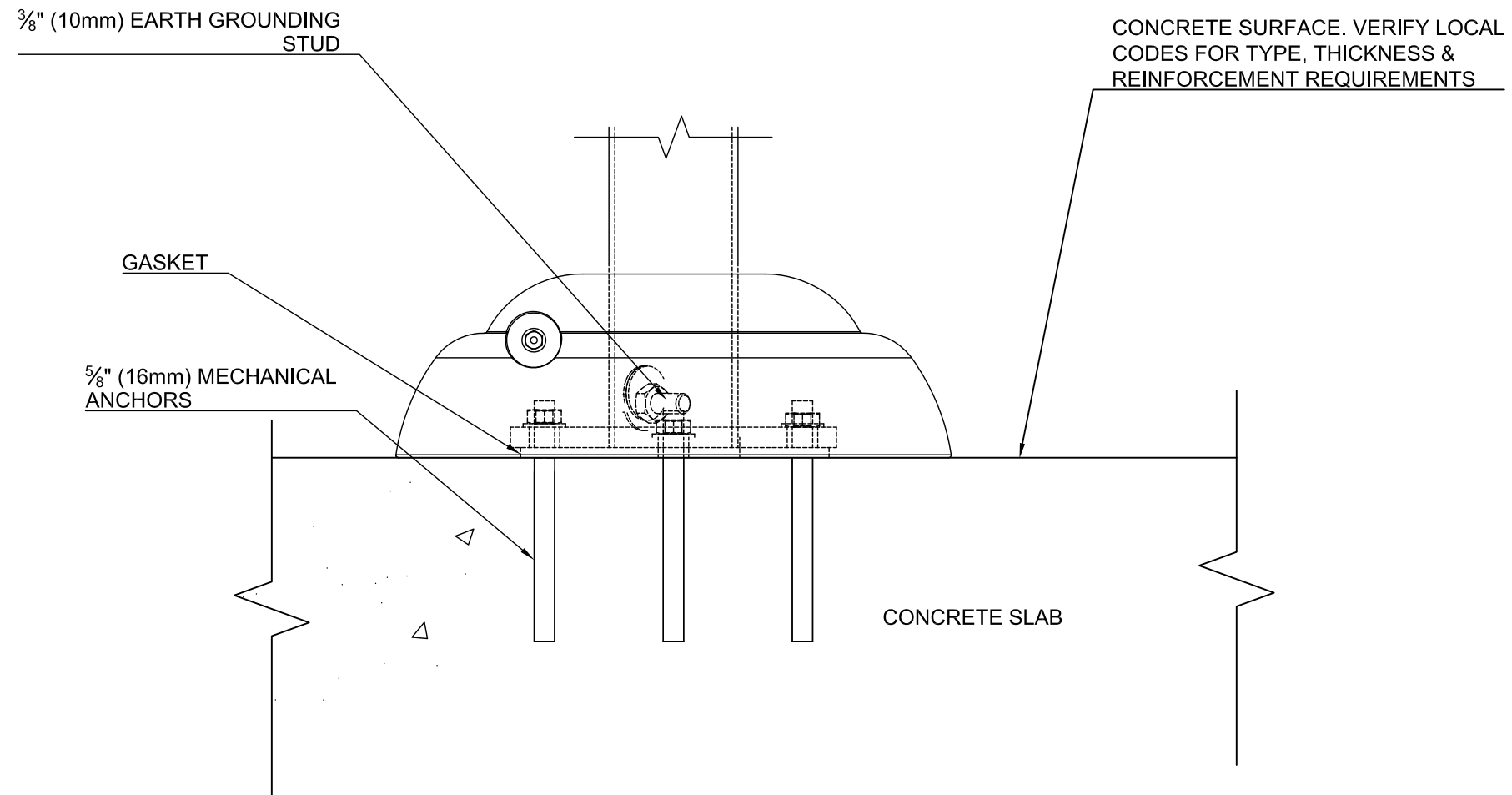
DATE: 03/14/2023

SHEET NO: 1/2

11"x17" SHEET SIZE



THESE DRAWINGS PROVIDE A GENERIC OVERVIEW OF THE INSTALLATION. THEY ARE NOT PROJECT SPECIFIC OR REFLECT ANY CUSTOMIZATION UNLESS NOTED. PLEASE CONTACT VORTEX AQUATIC STRUCTURES INTERNATIONAL FOR MORE DETAILS.



**VOR-7231.2XXX LUNA No.2 (Construction Detail)**

ANCHORING DETAIL

PRODUCT NAME: LUNA No.2

PRODUCT NUMBER: 7231.2XXX

DATE: 10/04/2017

SHEET NO: 2/2

11"x17" SHEET SIZE

