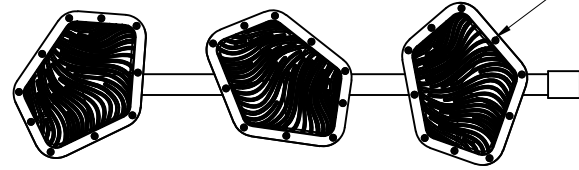


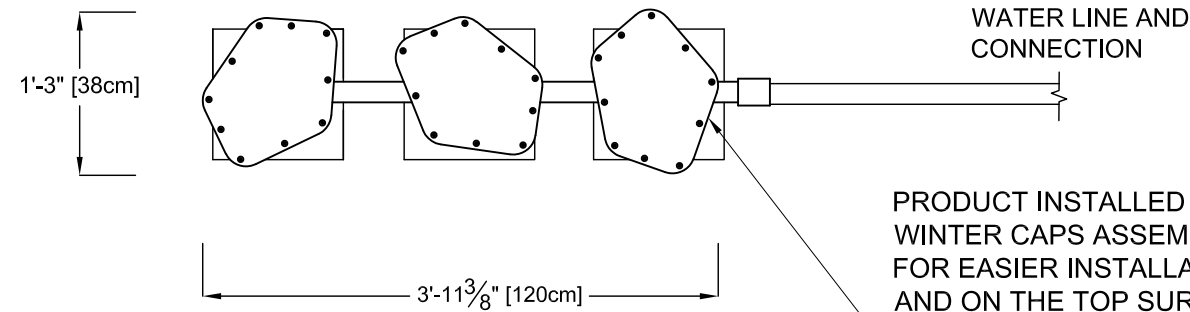
THESE DRAWINGS PROVIDE A GENERIC OVERVIEW OF THE INSTALLATION. THEY ARE NOT PROJECT SPECIFIC OR REFLECT ANY CUSTOMIZATION UNLESS NOTED. PLEASE CONTACT VORTEX AQUATIC STRUCTURES INTERNATIONAL FOR MORE DETAILS.

PLAN VIEW



AFTER CONCRETE HAS BEEN
POURED AND CURED, REMOVE WINTER CAPS AND
ASSEMBLE HOP RUBBER COVER AND FRAMING RING
(SHIPPED UNASSEMBLED)
STORE WINTER CAPS IN SECURE LOCATION FOR
LATER USE

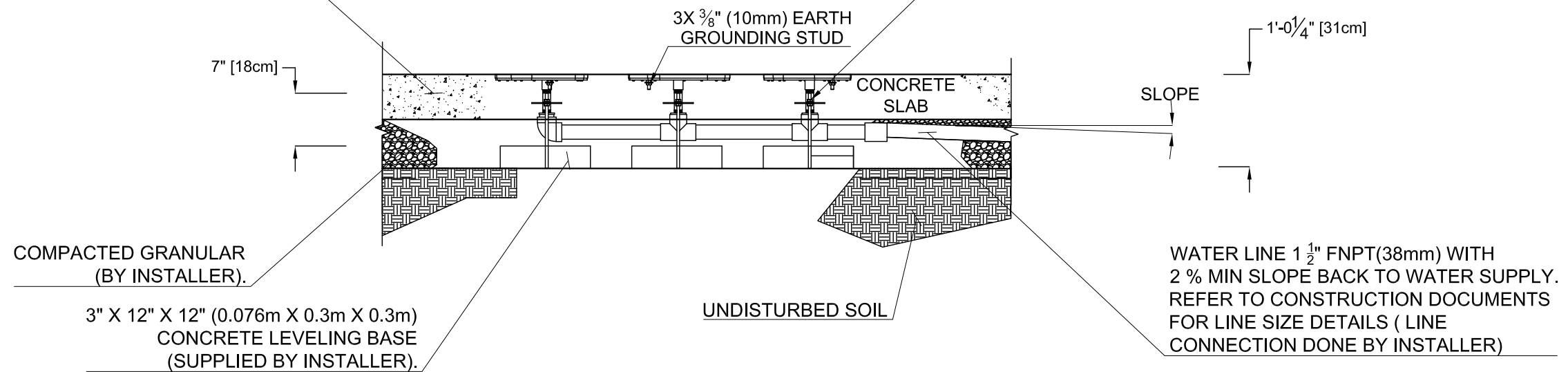
FRONT ELEVATION
VIEW



PRODUCT INSTALLED WITH
WINTER CAPS ASSEMBLED. (SHOWN)
FOR EASIER INSTALLATION: ADD MASKING TAPE ALL AROUND
AND ON THE TOP SURFACE OF WINTER CAP. IT WILL HELP
REMOVAL AFTER CONCRETE POUR.

CONCRETE SURFACE, VERIFY LOCAL
CODES FOR TYPE, THICKNESS AND
REINFORCEMENT REQUIREMENTS
(BY INSTALLER).

6 X 3/8" (10mm) S.S. HEIGHT AND
LEVELING CONTROL ANCHOR
STUDS WITH HARDWARE.
DRILL AND EPOXY GROUT STUDS
(DONE BY INSTALLER)



COMPACTED GRANULAR
(BY INSTALLER).

3" X 12" X 12" (0.076m X 0.3m X 0.3m)
CONCRETE LEVELING BASE
(SUPPLIED BY INSTALLER).

UNDISTURBED SOIL

WATER LINE 1 1/2" FNPT(38mm) WITH
2 % MIN SLOPE BACK TO WATER SUPPLY.
REFER TO CONSTRUCTION DOCUMENTS
FOR LINE SIZE DETAILS (LINE
CONNECTION DONE BY INSTALLER)

PRODUCT NAME: HOP No.2

PRODUCT NUMBER: VOR-7134.4XXX

DATE: 09/20/2022

SHEET NO: 1/1

11"x17" SHEET SIZE

