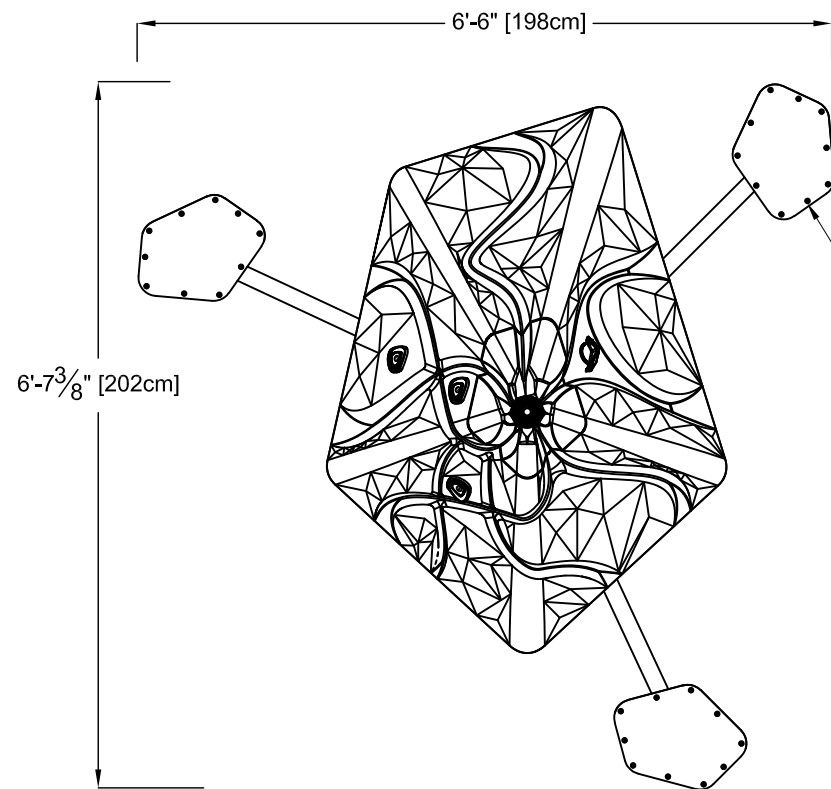


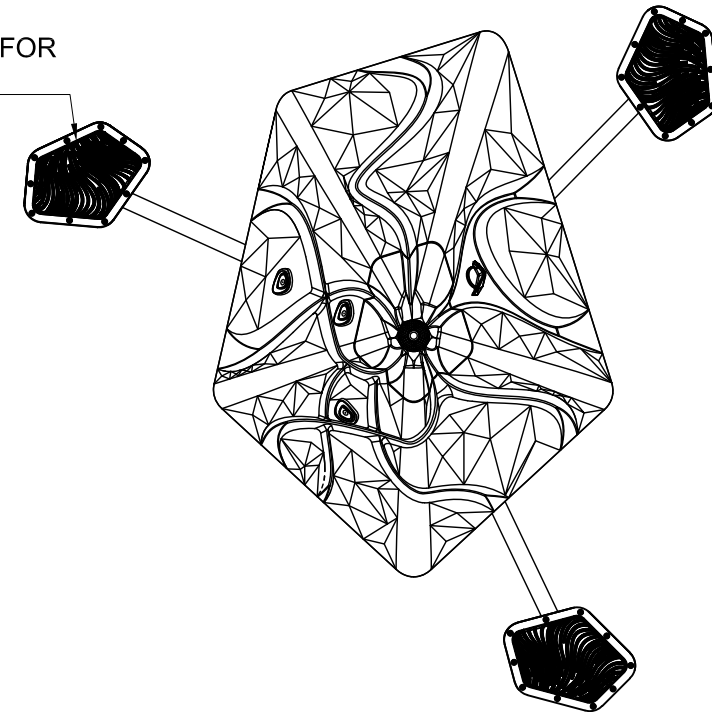
THESE DRAWINGS PROVIDE A GENERIC OVERVIEW OF THE INSTALLATION. THEY ARE NOT PROJECT SPECIFIC OR REFLECT ANY CUSTOMIZATION UNLESS NOTED. PLEASE CONTACT VORTEX AQUATIC STRUCTURES INTERNATIONAL FOR MORE DETAILS.

TOP VIEW



AFTER CONCRETE HAS BEEN POURED AND CURED, REMOVE WINTER CAPS AND ASSEMBLE HOP FLEXIBLE COVER AND FRAMING RING (SHIPPED UNASSEMBLED) STORE WINTER CAPS IN SECURE LOCATION FOR LATER USE

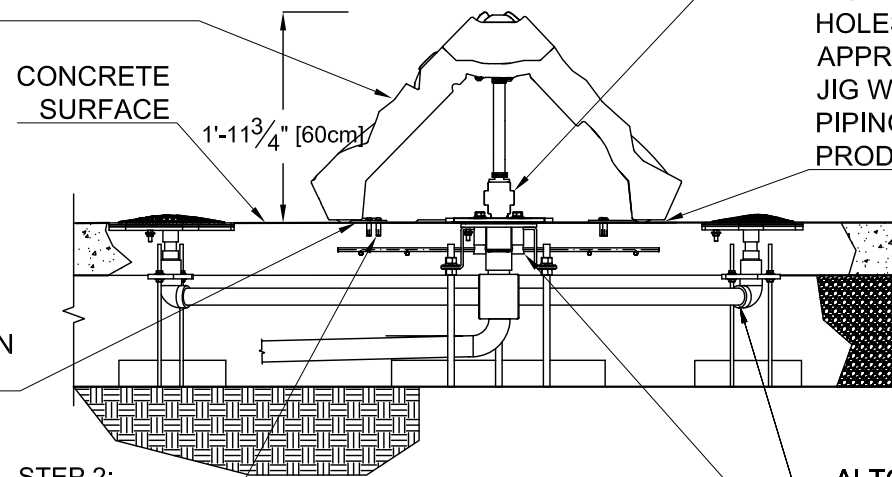
PRODUCT INSTALLED WITH WINTER CAPS ASSEMBLED (SHOWN)



ENGRAVED MARKING SHOULD BE FACING UPWARDS WHEN USING THE JIG

FRONT ELEVATION VIEW

STEP 5:
ASSEMBLE ALTO BODY TO BRACKETS USING 3/8-16 X 1" LONG HARDWARE PROVIDED



STEP 4:
ALTO MANIFOLD TO BE MOUNTED ON SAFESWAP USING HARDWARE SUPPLIED WITH SAFESWAP. MANIFOLD CONFIGURATION OUTLET CONFIGURATION MAY VARY PER ALTO PRODUCT

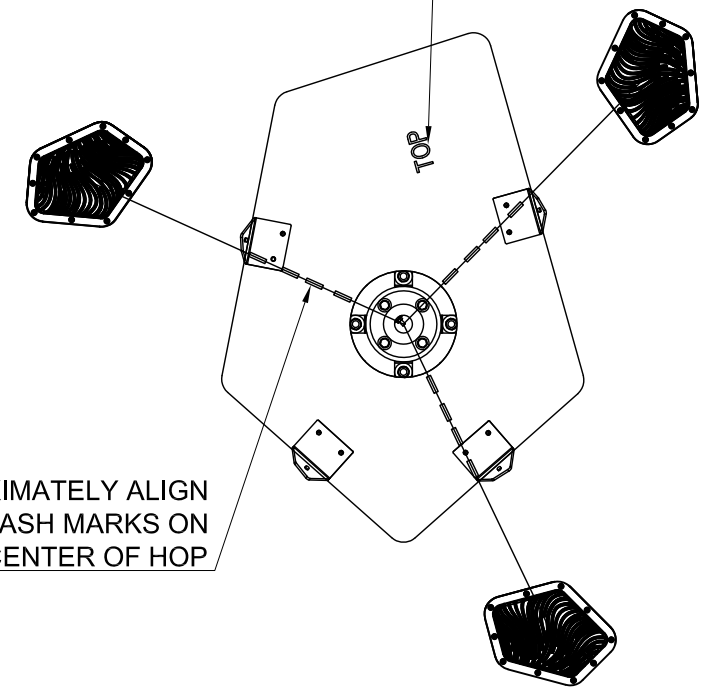
STEP 1:
INSTALLATION JIG 55002.1226 (22900.1957) USE JIG TO MARK HOLES FOR CONCRETE INSERT LOCATIONS. REMOVE AFTER HOLES ARE MARKED. APPROXIMATELY ALIGN LINES ON INSTALL JIG WITH CENTER OF HOPS REFER TO PIPING AND ELECTRICAL DRAWING FOR PRODUCT ORIENTATION

STEP 3:
INSTALL ALTO MOUNTING BRACKETS USING 3/8-16 X 3/4" LONG HARDWARE SUPPLIED, TO CONCRETE SURFACE AFTER CONCRETE INSERTS HAVE BEEN INSTALLED.

STEP 2:
AFTER HOLES HAVE BEEN DRILLED INSTALL CONCRETE INSERTS (SUPPLIED WITH PRODUCT). USE TOOL 1990.2581 SUPPLIED WITH PRODUCT AND A HAMMER TO INSTALL INSERTS. MINIMUM INSTALL DEPTH 1 1/2" (38mm) INSERTS SHOULD BE FLUSH WITH CONCRETE SURFACE

ALTO No.3 INSTALLATION KIT 55000.0833 (REFER TO SAFESWAP INSTALLATION DRAWING FOR DETAILS)

APPROXIMATELY ALIGN ENGRAVED DASH MARKS ON JIG WITH CENTER OF HOP



TOP VIEW
ALTO No.3 INSTALLATION JIG WITH SAFESWAP. ALTO ORIENTATION WITH SAFESWAP MAY VARY FROM ONE PROJECT TO ANOTHER. APPROXIMATELY ALIGN THE LINES OFF THE INSTALLATION JIG WITH THE CENTRES OF THE HOPS TO MAXIMIZE PLAY EFFECT

PRODUCT NAME: ALTO No.3 INSTALLATION

PRODUCT NUMBER: VOR-7132

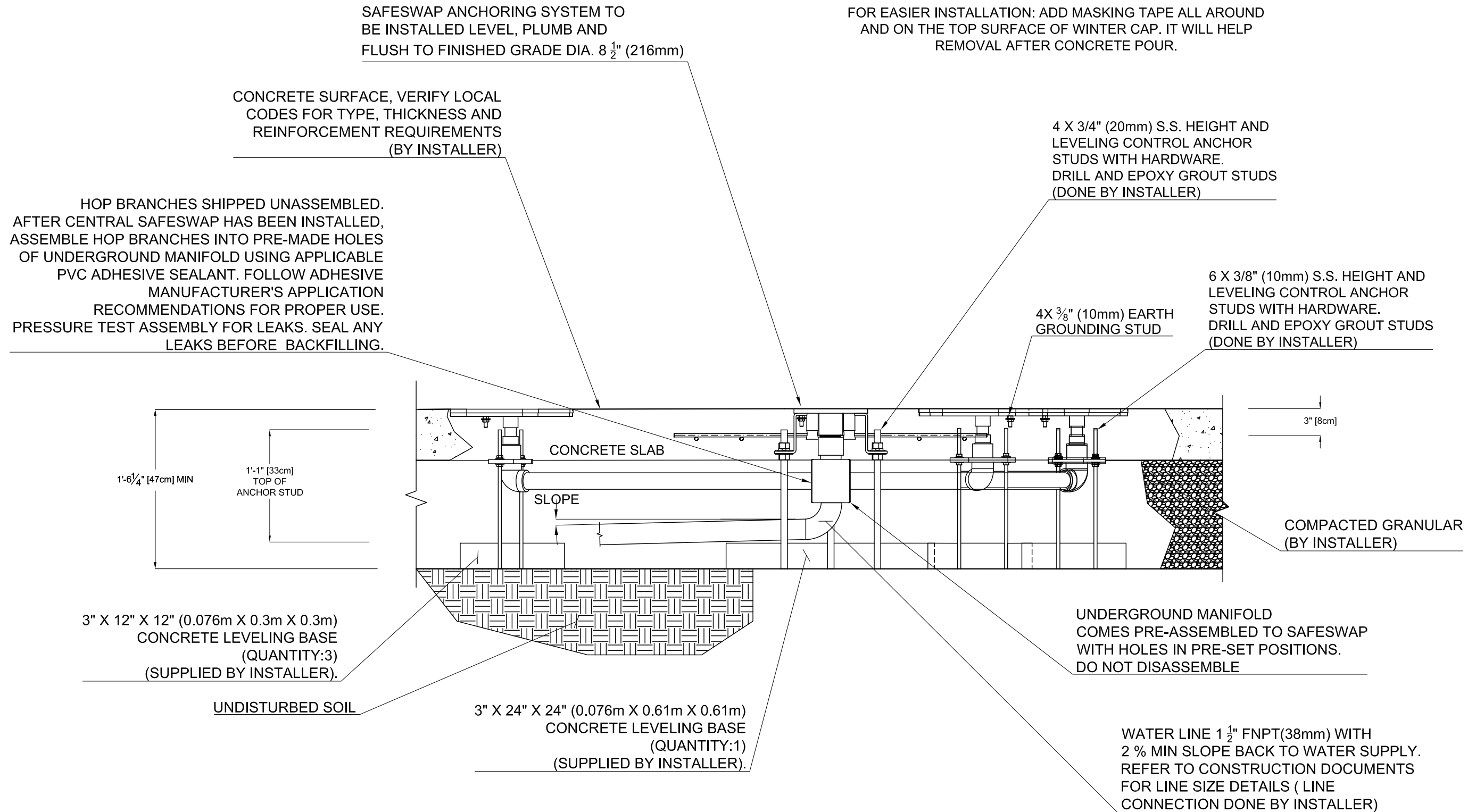
DATE: 09/20/2022

SHEET NO: 1/1

11"x17" SHEET SIZE



THESE DRAWINGS PROVIDE A GENERIC OVERVIEW OF THE INSTALLATION. THEY ARE NOT PROJECT SPECIFIC OR REFLECT ANY CUSTOMIZATION UNLESS NOTED. PLEASE CONTACT VORTEX AQUATIC STRUCTURES INTERNATIONAL FOR MORE DETAILS.



PRODUCT NAME: ALTO No.3 SAFESWAP INSTALLATION KIT

PRODUCT NUMBER: 55000.0833

DATE: 09/20/2022

SHEET NO: 1/1

11"x17" SHEET SIZE

