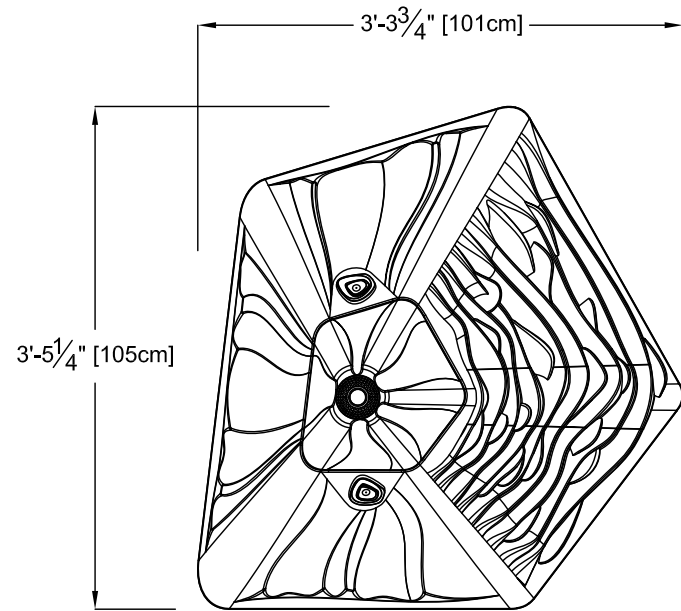
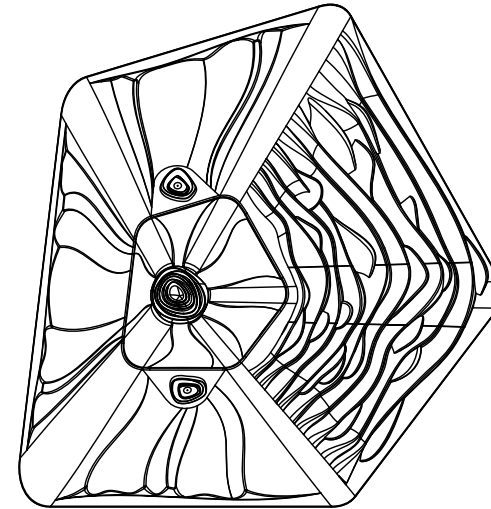


THESE DRAWINGS PROVIDE A GENERIC OVERVIEW OF THE INSTALLATION. THEY ARE NOT PROJECT SPECIFIC OR REFLECT ANY CUSTOMIZATION UNLESS NOTED. PLEASE CONTACT VORTEX AQUATIC STRUCTURES INTERNATIONAL FOR MORE DETAILS.

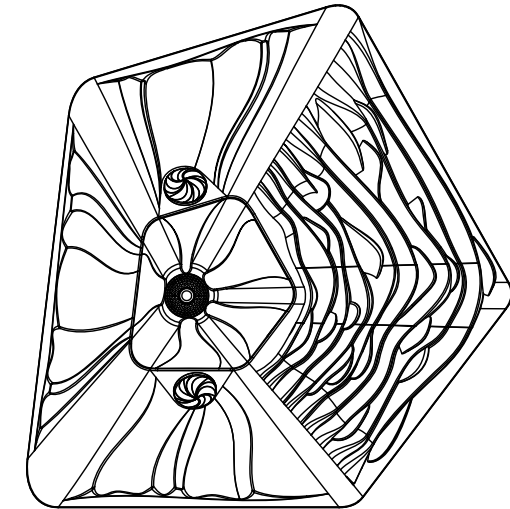
TOP VIEW
(PICO No.1
VOR-7127
CONFIGURATION
SHOWN)



PICO No.2 VOR-7128
CONFIGURATION



PICO No.3 VOR-7129
CONFIGURATION



FRONT ELEVATION VIEW

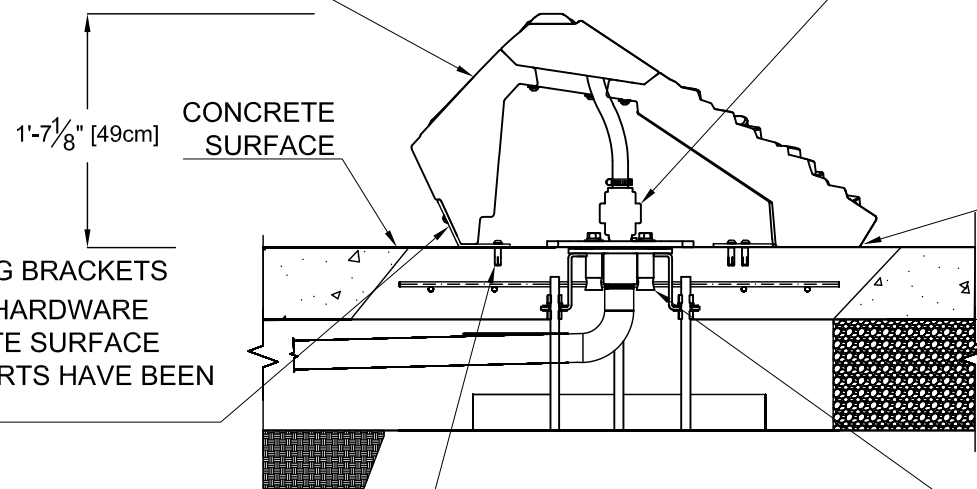
STEP 5:
ASSEMBLE PICO BODY TO BRACKETS
USING THE 3/8-16 X 1" LONG HARDWARE
PROVIDED
(PICO No.1, VOR-7127 SHOWN)

STEP 4:
PICO MANIFOLD TO BE
MOUNTED ON SAFESWAP
USING HARDWARE SUPPLIED
WITH SAFESWAP.
MANIFOLD CONFIGURATION
OUTLET CONFIGURATION MAY
VARY PER PICO PRODUCT

STEP 1:
INSTALLATION JIG 55002.1225 (22900.1956) USE JIG
TO MARK HOLES FOR CONCRETE INSERT
LOCATIONS. REMOVE AFTER HOLES ARE
MARKED.
REFER TO PIPING AND ELECTRICAL
DRAWING FOR PRODUCT ORIENTATION

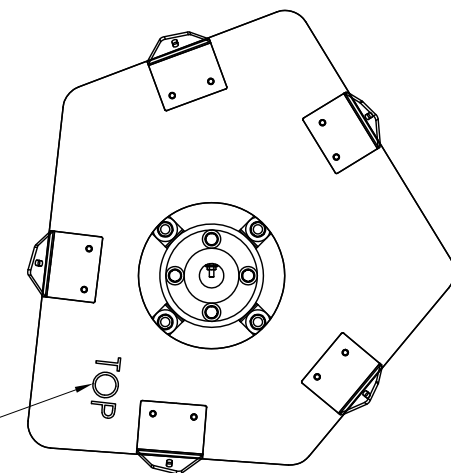
STEP 3:
INSTALL PICO MOUNTING BRACKETS
USING 3/8-16 X 3/4" LONG HARDWARE
SUPPLIED, TO CONCRETE SURFACE
AFTER CONCRETE INSERTS HAVE BEEN
INSTALLED.

STEP 2:
AFTER HOLES HAVE BEEN DRILLED, INSTALL
CONCRETE INSERTS (SUPPLIED WITH PRODUCT).
USE TOOL 11990.2581 SUPPLIED WITH PRODUCT
AND A HAMMER TO INSTALL INSERTS. MINIMUM INSTALL
DEPTH 1 1/2" (38mm). INSERTS SHOULD BE FLUSH WITH
CONCRETE SURFACE



TYPICAL SAFESWAP No.2
(REFER TO SAFESWAP
INSTALLATION DRAWING
FOR DETAILS)

ENGRAVED MARKING
SHOULD BE FACING
UPWARDS WHEN
USING THE JIG



TOP VIEW
PICO INSTALLATION JIG WITH SAFESWAP.
PICO ORIENTATION WITH SAFESWAP MAY
VARY FROM ONE PROJECT TO ANOTHER

PRODUCT NAME: PICO No.1, 2 AND 3 INSTALLATION

PRODUCT NUMBER: VOR-7127, 7128, 7129

DATE: 09/25/2018

SHEET NO: 1/1

11"x17" SHEET SIZE

