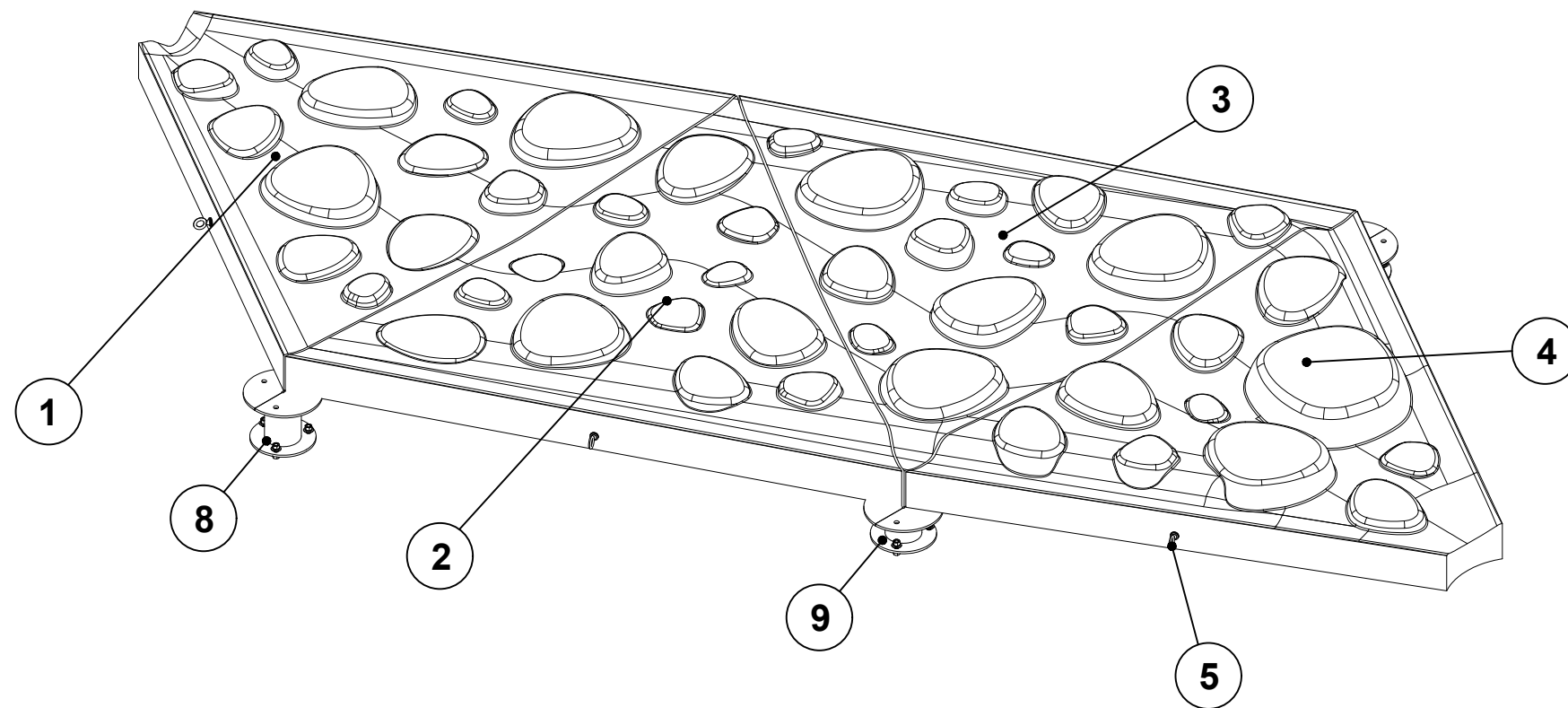


WATER JOURNEY TIDE POOL

INSTALLATION INSTRUCTIONS

COPYRIGHT VORTEX AQUATIC STRUCTURES INTERNATIONAL-THIS DOCUMENT AND THE IDEAS, RENDERINGS AND OTHER CONTENTS CONTAINED THEREIN ARE THE SOLE PROPERTY OF VORTEX AQUATIC STRUCTURES INTERNATIONAL AND MAY NOT BE DISSEMINATED, COPIED, REPRODUCED OR OTHERWISE USED WITHOUT PRIOR WRITTEN CONSENT OF VORTEX AQUATIC STRUCTURES INTERNATIONAL.

CE DOCUMENT EST EN TOUJOURS LA PROPRIÉTÉ DE VORTEX AQUATIC STRUCTURES INTERNATIONAL INC. ET NE PEUT ÊTRE UTILISÉ OU REPRODUIT SANS UN CONSENTEMENT ÉCRIT DE VORTEX AQUATIC STRUCTURES INTERNATIONALES INC.



GENERAL NOTES:

- 1- IT IS RECOMMENDED TO READ ALL INSTRUCTIONS PROVIDED BEFORE STARTING THE INSTALLATION.
- 2- READ THIS PACKAGE IN CONJUNCTION WITH THE WATER JOURNEY MANUAL PROVIDED.
- 3- CONSULT P&E (PIPING AND ELECTRICAL) IN CONJUNCTION WITH THIS PACKAGE
- 4- CONCRETE FOOTING TO BE SET ON 6" MINIMUM OF COMPACTED GRANULAR BASE MATERIAL OVER UNDISTURBED NATIVE SOIL.
- 5- ALL FOUNDATIONS SHALL BE SET ON NATURAL UNDISTURBED INORGANIC SOIL, THE FOOTINGS HAVE BEEN DESIGNED FOR A SOIL BEARING CAPACITY OF 150 kPa [3000 psf]. THE SOIL BEARING CAPACITY SHALL BE VERIFIED BY A LICENSED GEOTECHNICAL ENGINEER BEFORE FOOTINGS ARE POURED.
- 6- DO NOT ALLOW CHILDREN IN THE SETUP AREA UNTIL ASSEMBLY IS COMPLETE.
- 7- GLASS FIBER REINFORCED CONCRETE (GFRC) SLABS ARE FRAGILE AND MUST BE HANDLED AND INSTALLED WITH CARE.
- 8- REFER TO THE MANUAL FOR REPAIR AND ROUTINE MAINTENANCE RECOMMENDATIONS.

CONTENT	SHEET
COVER PAGE	1
FOUNDATION DETAILS	2
LEVELING DISKS INSTALLATION	3
DRAIN & PUMP INSTALLATION	4
SLABS INSTALLATION	5

ITEM NO.	QTY.	NO.	DESCRIPTION
1	1	33100.4153	TIDE POOL - TRIANGLE 1, MOLDING (TP-1)
2	1	33100.4154	TIDE POOL - TRIANGLE 2, MOLDING (TP-2)
3	1	33100.4155	TIDE POOL - TRIANGLE 3, MOLDING (TP-3)
4	1	33100.4156	TIDE POOL - TRIANGLE 4, MOLDING (TP-4)
5	3	11990.2450	STEEL EYEBOLT WITH SHOULDER FOR LIFTING, 1/2"-13 THREADED SIZE, 1 1/2" LG TH
6	9	11155.008	FLAT WASHER 1/2"
7	1	33903.1037	TP - SPARE ITEMS
8	2	33903.1446	JET DANCE BENDED DISK 2.5 DEG, LEVEL 1, ASSEMBLY
9	2	33903.1447	JET DANCE BENDED DISK 2.5 DEG, LEVEL 2, ASSEMBLY
10	2	22135.3953	WJ ANCHORING TEMPLATE

WATER JOURNEY - TIDE POOL

Project Location / Lieu du projet

Project Number / Numéro de projet

Order Number / Numéro de commande

Date	Revision Description	No.	By/Par
11/02/2019	UPDATED WATER SOURCE	03	JC
20/11/2017	UPDATED REV.	02	MM
02/11/2016	RELEASE FOR INSTALLATION	01	HK

Drawing Title/Titre du Dessin

WJ-TIDE POOL

Drawn by/Dessiné par

HK

Verified by/Verifié par

Scale/Echelle

N.T.S.

Date

11/02/2019

Page #

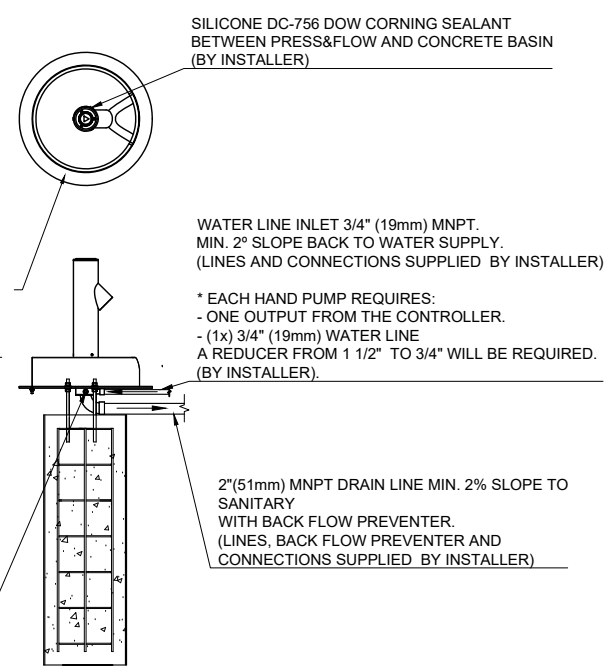
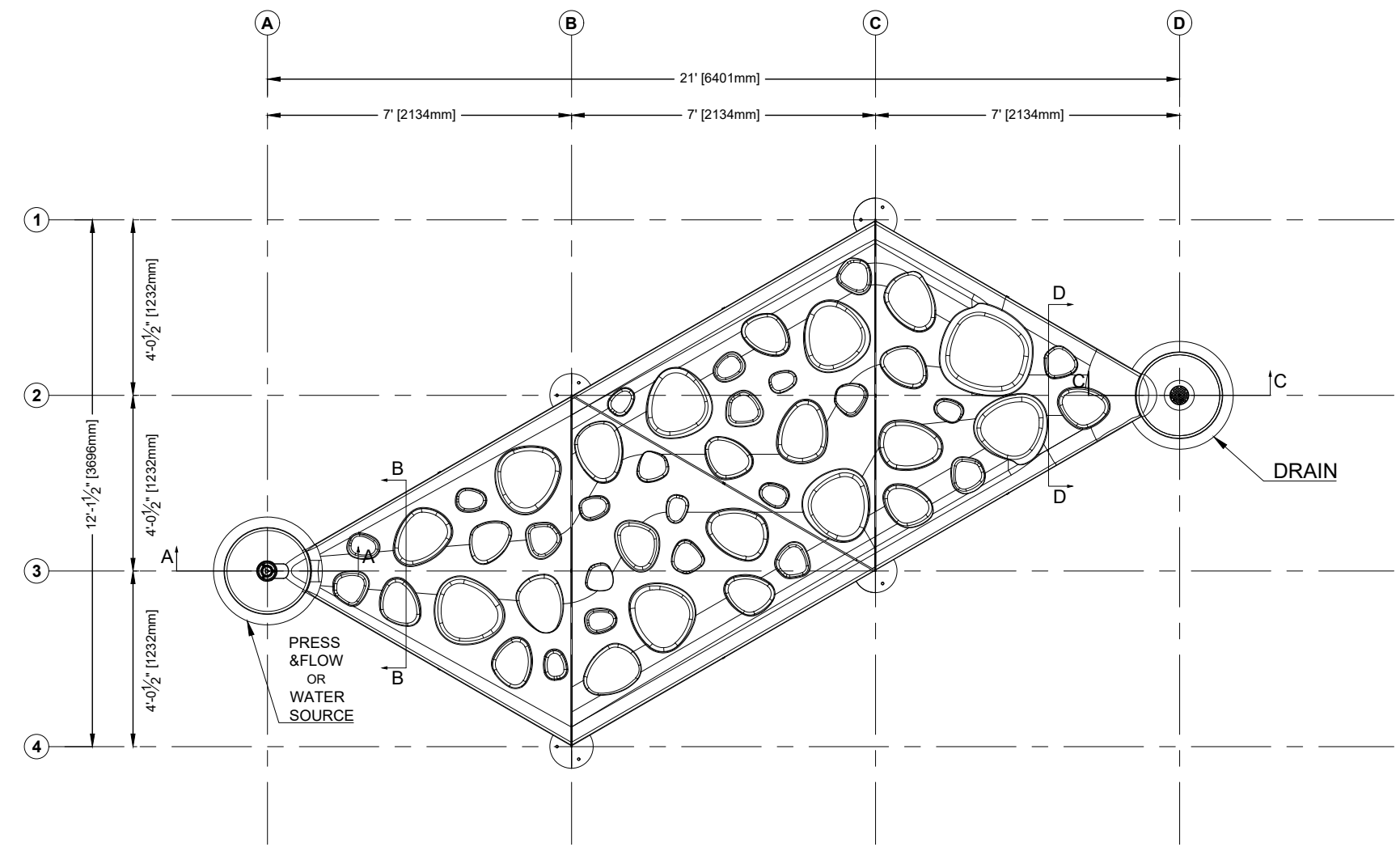
1

Rev.

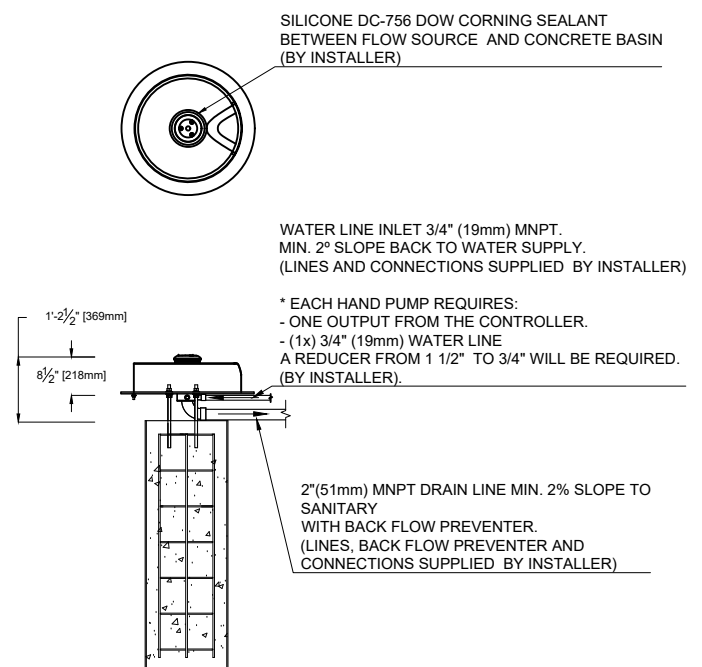
R03

COPYRIGHT VORTEX AQUATIC STRUCTURES INTERNATIONAL-THIS DOCUMENT AND THE IDEAS, RENDERINGS AND OTHER CONTENTS CONTAINED THEREIN ARE THE SOLE PROPERTY OF VORTEX AQUATIC STRUCTURES INTERNATIONAL AND MAY NOT BE DISSEMINATED, COPIED, REPRODUCED OR OTHERWISE USED WITHOUT PRIOR WRITTEN CONSENT OF VORTEX AQUATIC STRUCTURES INTERNATIONAL.
 CE DOCUMENT EST EN TOUT TEMPS LA PROPRIÉTÉ DE VORTEX AQUATIC STRUCTURES INTERNATIONAL INC. ET NE PEUT ÊTRE UTILISÉ OU REPRODUIT SANS UN CONSENTEMENT ÉCRIT DE VORTEX AQUATIC STRUCTURES INTERNATIONALES INC.

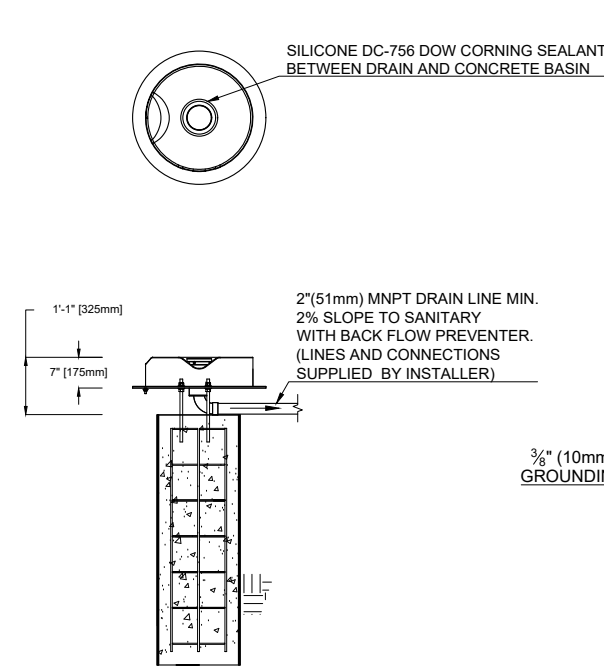
WATER JOURNEY-TIDE POOL



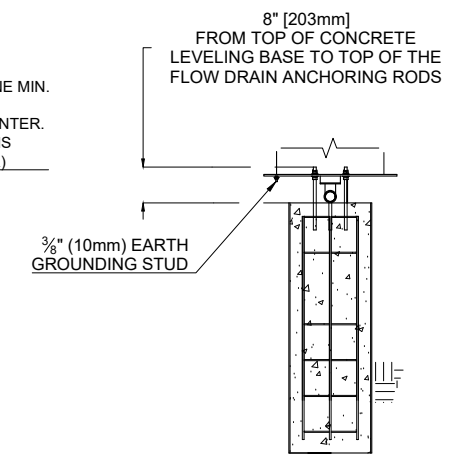
SECTION A-A
PRESS & FLOW



SECTION A-A
FLOW SOURCE



SECTION C-C
DRAIN



SECTION B-B
TYPICAL DETAILS

Project Location / Lieu du projet

Project Number / Numéro de projet

Order Number / Numéro de commande

Date	Revision Description	No.	By/Par
02/11/2019	UPDATED WATER SOURCE	03	JC
20/11/2017	UPDATED REV.	02	MM
02/11/2016	RELEASE FOR INSTALLATION	01	HK

Drawing Title/Titre du Dessin

DRAIN & PUMP INSTALLATION

Drawn by/Dessiné par
 HK

Verified by/Verifié par

Scale/Echelle
 N.T.S.

Date
 11/02/2019

Page #
 4

Rev.
 R03

