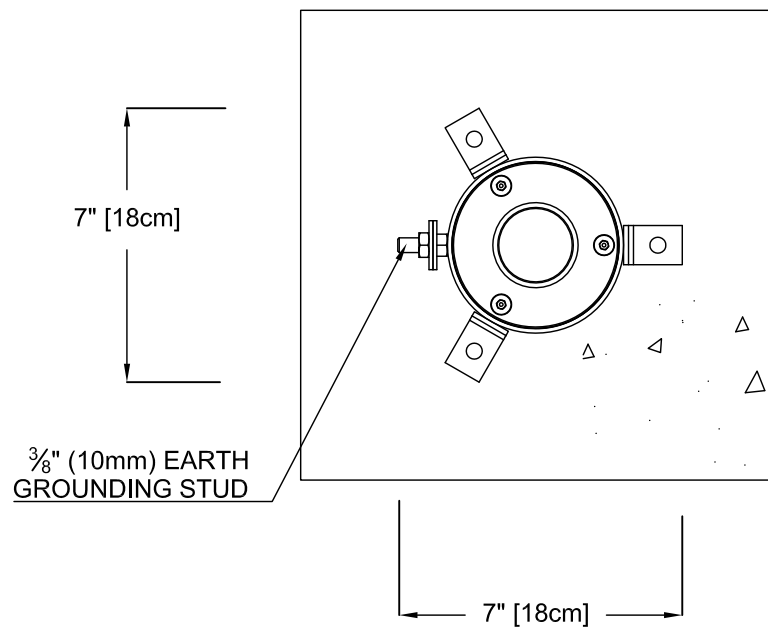
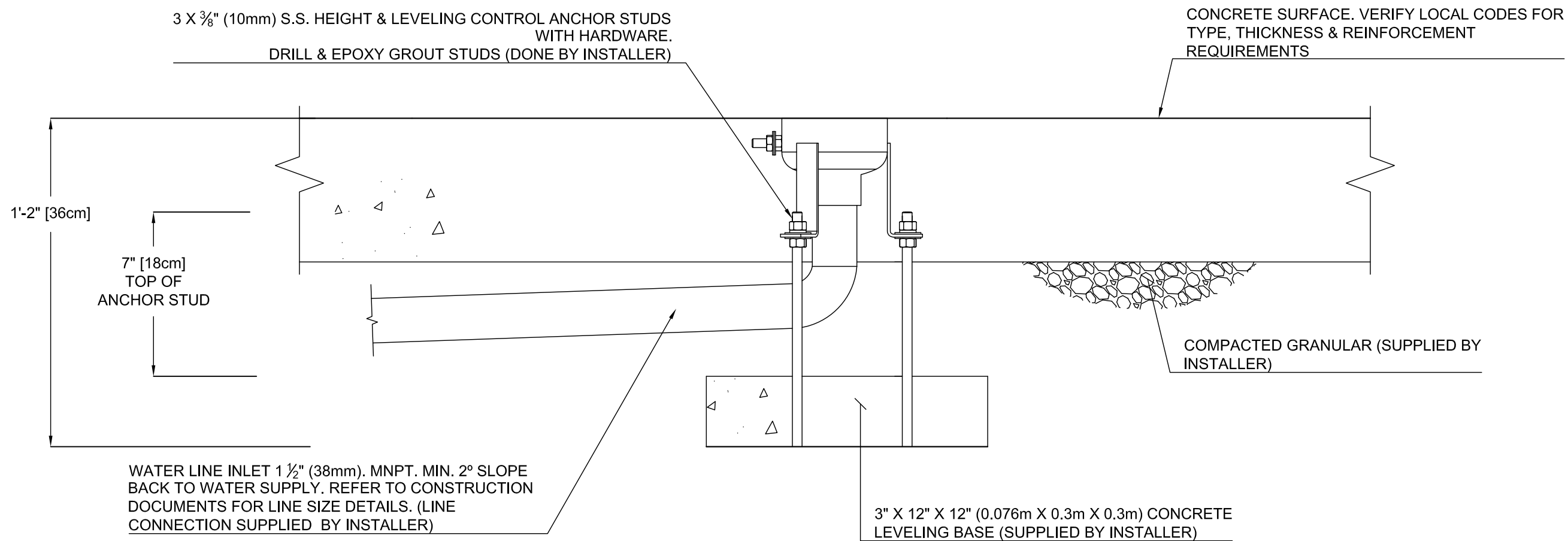


PLAN VIEW



FRONT ELEVATION VIEW



PRODUCT NAME: WATER JELLY N°1

PRODUCT NUMBER: VOR-7010.0002

DATE: 03/20/18

PRODUCT INFORMATION

SHEET NO: 1/1

11"x17" SHEET SIZE

