

PLAN VIEW

GENERAL NOTES:

- 1) "BY OTHERS" MAY REFER TO SERVICE PROVIDERS OTHER THAN THE EQUIPMENT MANUFACTURER. PLEASE REFER TO PROJECT SPECIFICATION FOR DETAILS OF RESPONSIBILITY.
- 2) PIPE LOCATIONS ARE APPROXIMATE AND SUBJECT TO CHANGE.
- 3) USE ANTI-SEIZE ON ALL THREADS.
- 4) DRAINAGE SOLUTIONS ARE OPTIONAL AND UNDER THE RESPONSABILITY OF THE INSTALLER.
- 5) ABRIO PRODUCTS ARE ASSEMBLED ON-SITE BY INSTALLER. REFER TO ASSEMBLY GUIDE FOR STEP-BY-STEP INSTRUCTIONS.

ELECTRICAL NOTES:

- 1) NO LIVE ELECTRICAL CONNECTION TO BE DONE. SOLAR BATTERY SYSTEM IN OPERATION.
- 2) FAILURE TO FOLLOW VORTEX APPLICATION GUIDELINES, DRAWINGS, WIRING DIAGRAM & CABLE SPECIFICATIONS WILL VOID PRODUCT WARRANTY.
- 3) IF YOU HAD SEVERAL DAYS WITHOUT SUN (3 OR MORE), THE SYSTEM WILL GO TO A SLEEP MODE, WHICH WILL SHUTDOWN THE SYSTEM TO PROTECT THE CONTROLLER AND THE BATTERY UNTIL IT'S RECHARGED TO 20% (3-5 SUNNY HOURS).

OPTIMAL SOLAR ORIENTATION (DONE BY OTHERS):

- SOUTH FACING FOR NORTH OF THE EQUATOR
- NORTH FACING FOR SOUTH OF THE EQUATOR
- AVOID SHADOW AREAS FOR INSTALLATION

ABRIO OPTIONS:

BENCH OPTIONS:

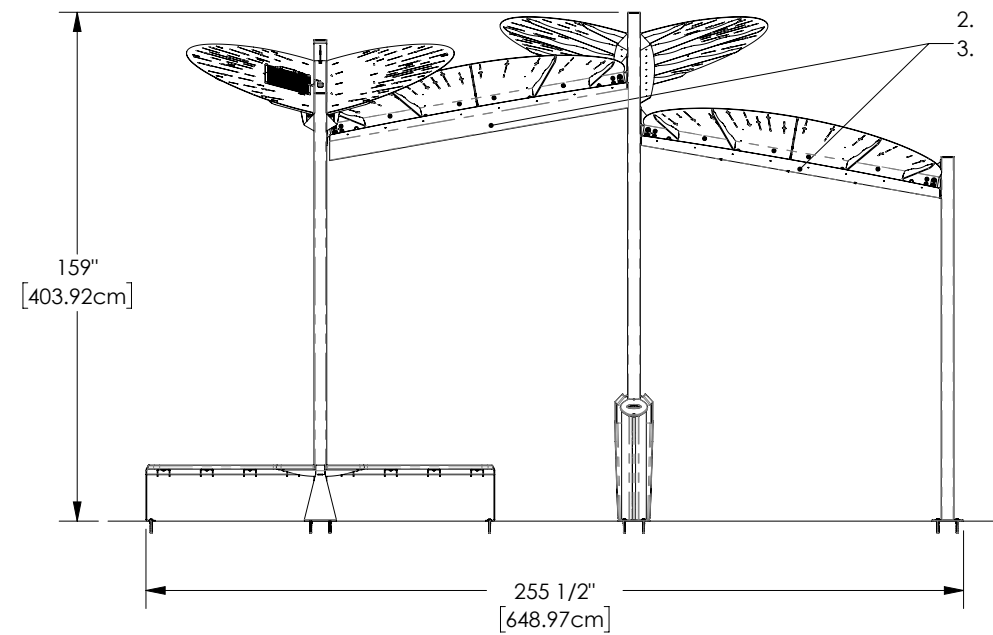
1. FLAT SEATING
2. BACKREST SEATING

WATER FEATURE OPTIONS:

1. 2X SOFT RAIN + 2X RIVER MAZE
2. 2X MIST + 2X RIVER MAZE
3. 1X SOFT RAIN + 1X MIST + 2X RIVER MAZE

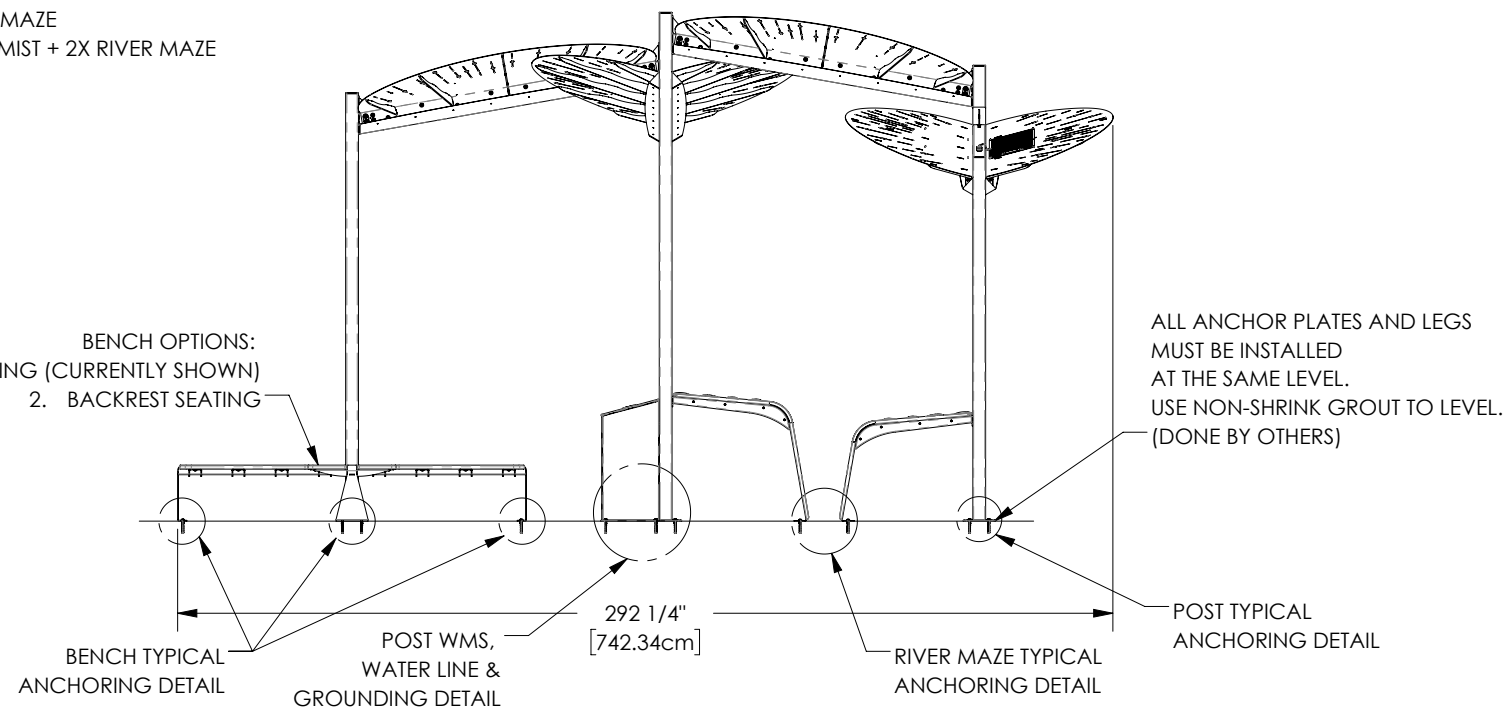
WATER FEATURE OPTIONS:

1. 2X SOFT RAIN + 2X RIVER MAZE
2. 2X MIST + 2X RIVER MAZE
3. 1X SOFT RAIN + 1X MIST + 2X RIVER MAZE



FRONT ELEVATION VIEW

- BENCH OPTIONS:**
1. FLAT SEATING (CURRENTLY SHOWN)
 2. BACKREST SEATING



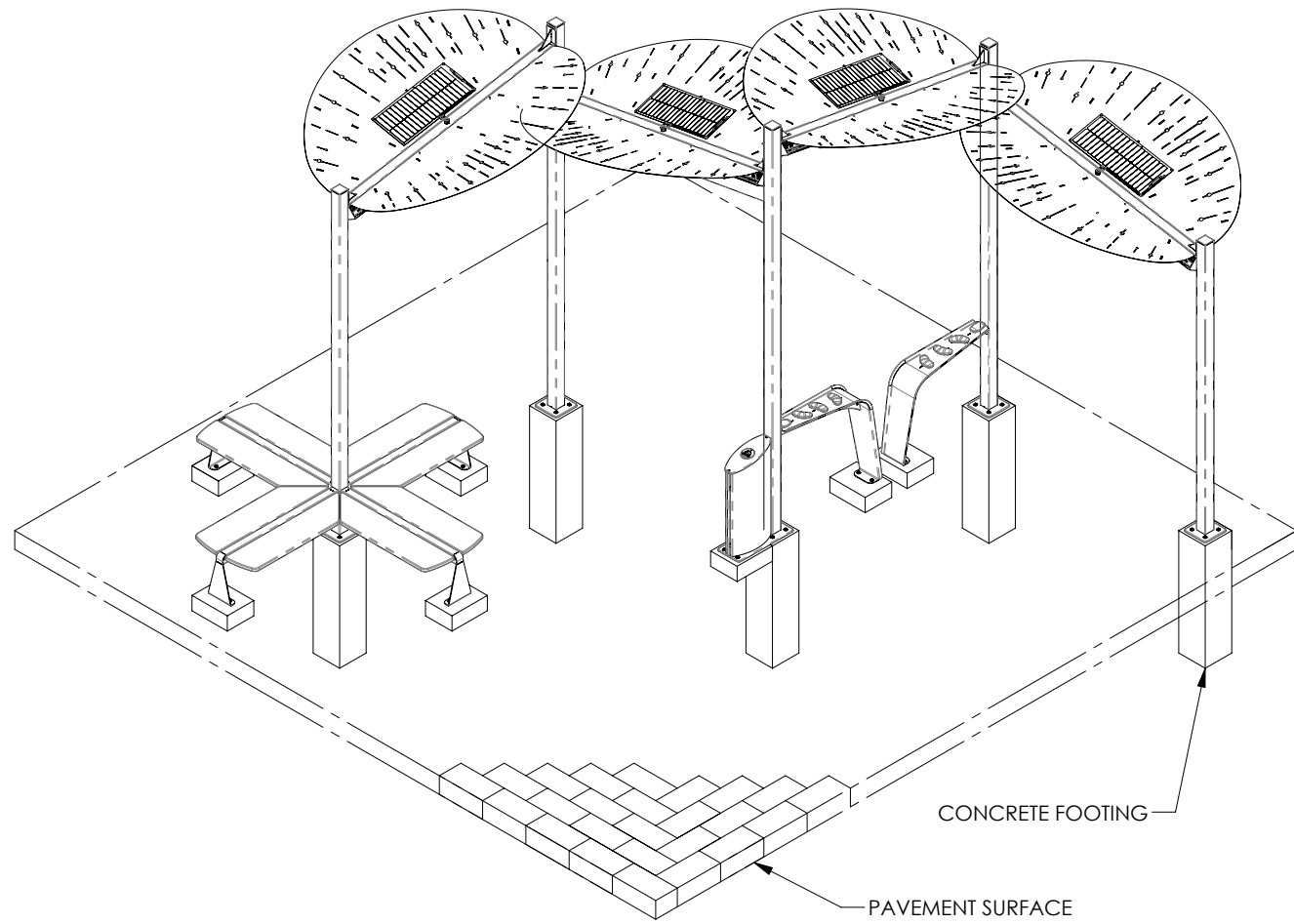
SIDE ELEVATION VIEW

**ABRIO 06 - VOR 3506
 INSTALLATION DRAWING**

INSTALLATION OPTIONS

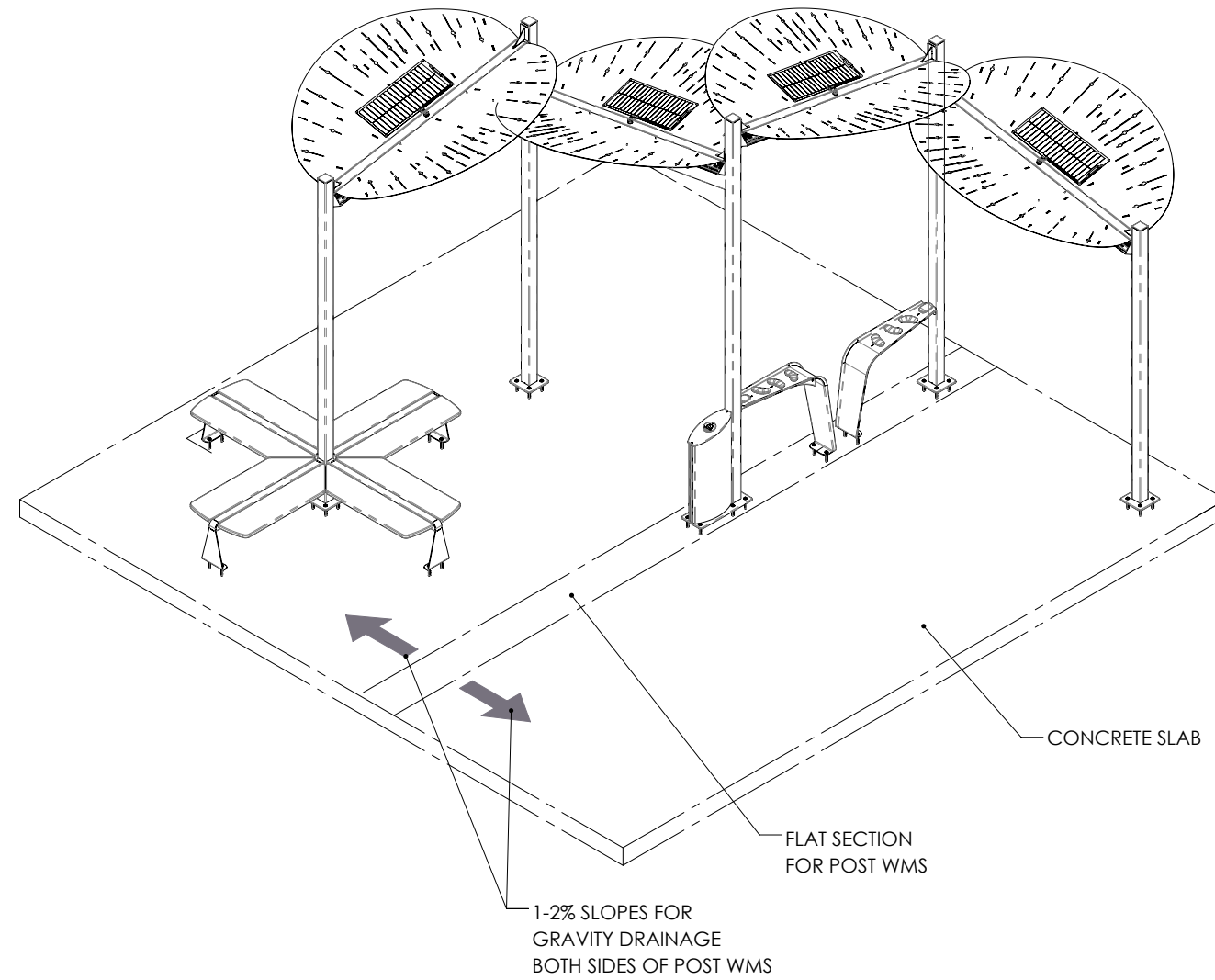
OPTION #1:

PAVEMENT SURFACE WITH CONCRETE FOOTINGS
(PERMEABLE OR ON A 1-2% SLOPE)



OPTION #2:

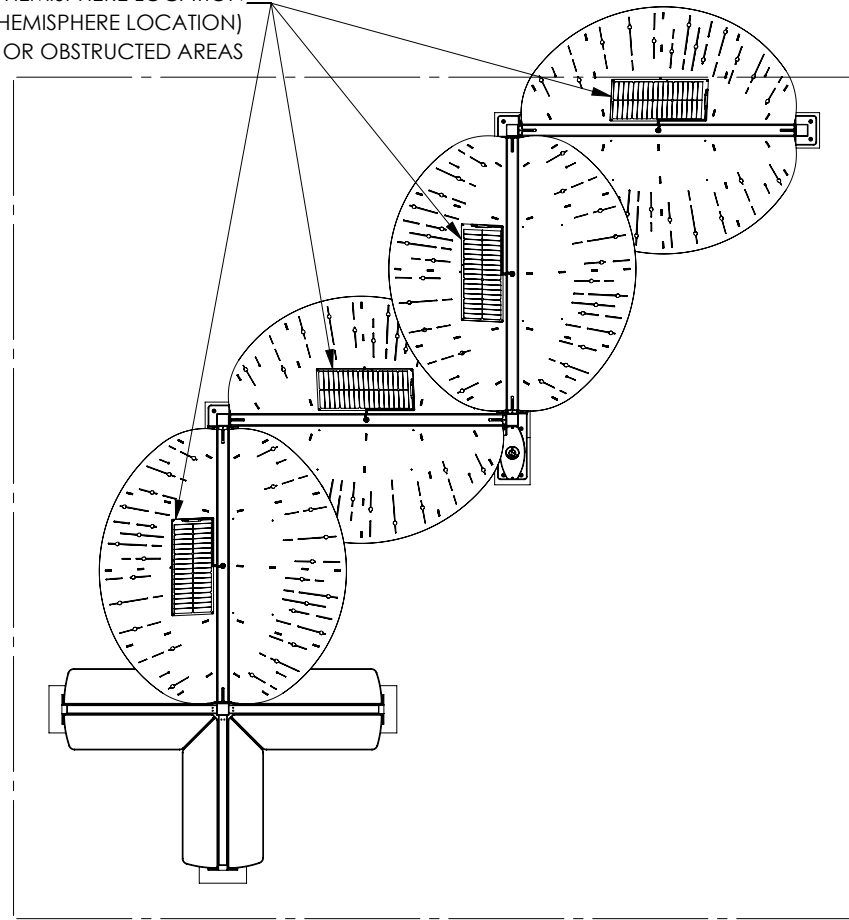
CONCRETE SLAB
(ON A 1-2% SLOPE)



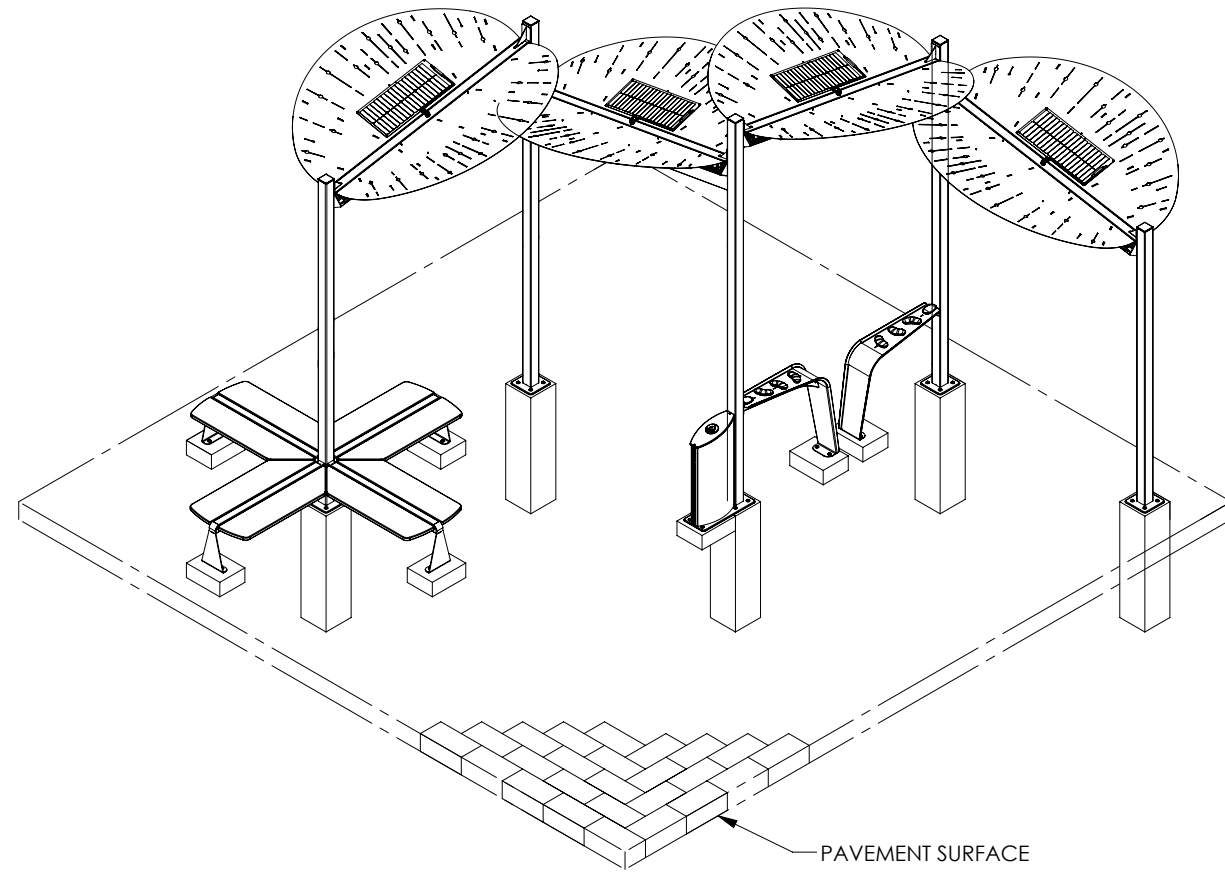
INSTALLATION OPTION #1: PAVEMENT SURFACE WITH CONCRETE FOOTINGS

REFER TO TYPICAL ANCHORING DETAILS

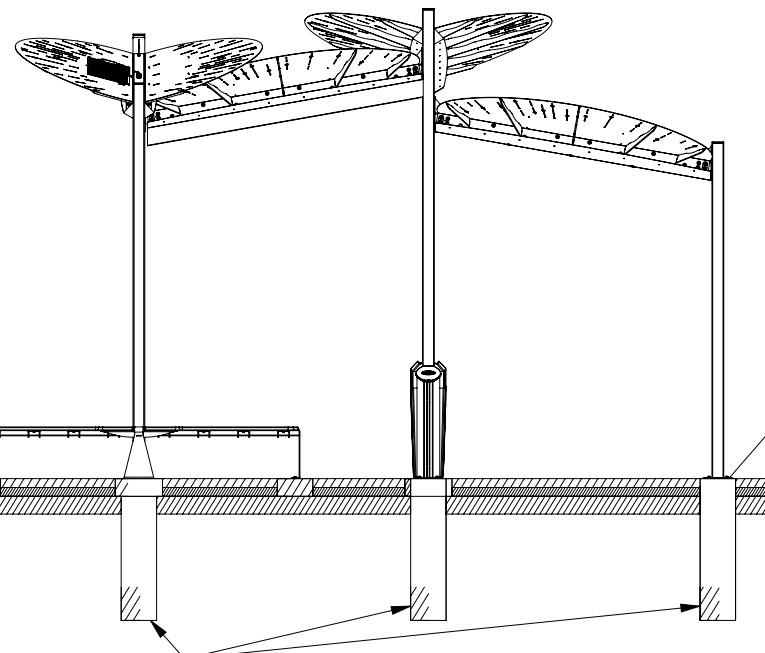
SOUTH FACING SOLAR PANEL (MANDATORY)
 ACCORDING TO NORTHERN HEMISPHERE LOCATION
 (PLEASE CONSIDER HEMISPHERE LOCATION)
 AVOID SHADOW OR OBSTRUCTED AREAS



PLAN VIEW



PAVEMENT SURFACE



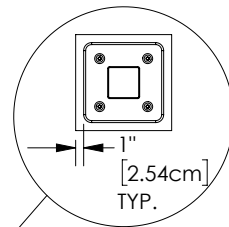
FRONT ELEVATION VIEW

PAVEMENT SURFACE
 PERMEABLE OR
 ON A 1-2% SLOPE
 FOR GRAVITY DRAINAGE
 (SUPPLIED AND
 DONE BY OTHERS)

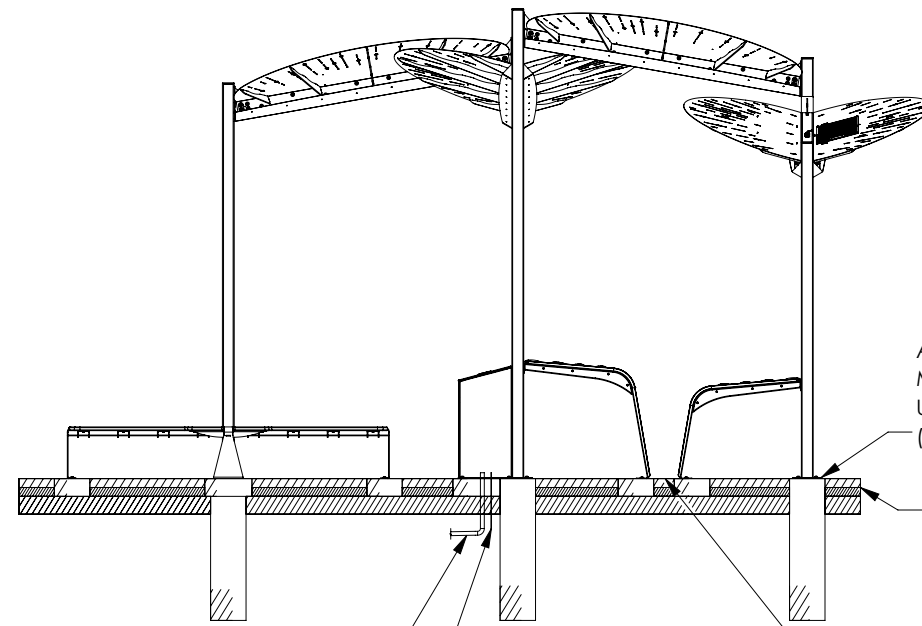
MULTILEVEL COMPACTED
 GRANULAR BEDS
 (SUPPLIED AND
 DONE BY OTHERS)

LIGHTWEIGHT CONCRETE FOOTINGS
 MINIMUM DENSITY OF 90 LBS/FT³ [14.14 kN/m³]
 VERIFY LOCAL CODES FOR TYPE, THICKNESS
 & REINFORCEMENT REQUIREMENTS

ANCHOR PLATES MUST BE
 CENTERED WITH FOOTINGS



DRINKING WATER LINE INLET 1" TO 1 1/2" [25.4 TO 38.1mm] NPT
 1-2% SLOPE BACK TO WATER SUPPLY. REFER TO
 CONSTRUCTION DOCUMENTS FOR LINE SIZE DETAILS.
 (LINE CONNECTION SUPPLIED AND DONE BY OTHERS)



SIDE ELEVATION VIEW

ALL ANCHOR PLATES AND LEGS
 MUST BE INSTALLED AT THE SAME LEVEL.
 USE NON-SHRINK GROUT TO LEVEL.
 (DONE BY OTHERS)

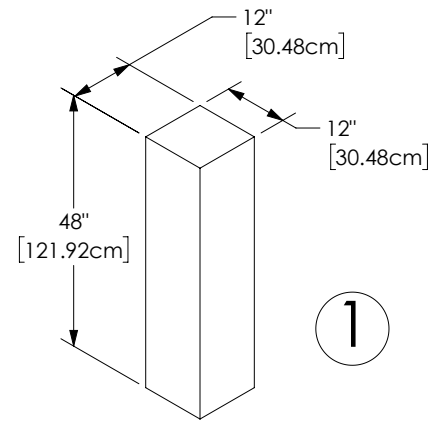
ANY ADDITIONAL DRAINAGE SOLUTION
 MUST GO TO SANITARY/STORM SEWER
 REFER TO LOCAL CODE.
 (SUPPLIED AND DONE BY OTHERS)

#8 AWG BARE COPPER
 GROUNDING/BONDING WIRE
 (SUPPLIED AND DONE BY OTHERS)

OPTIONAL 6"x6" [15.24x15.24cm] DRAIN
 BETWEEN RIVER MAZES
 (SUPPLIED AND DONE BY OTHERS)

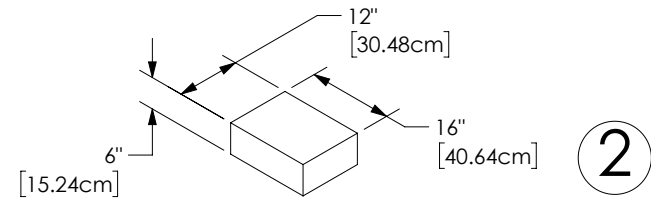
INSTALLATION OPTION #1: CONCRETE FOOTINGS, WATER INLET AND GROUNDING WIRE POSITIONING

COPYRIGHT VORTEX AQUATIC STRUCTURES INTERNATIONAL-THIS DOCUMENT AND THE IDEAS, RENDERINGS AND OTHER CONTENTS CONTAINED THEREIN ARE THE SOLE PROPERTY OF VORTEX AQUATIC STRUCTURES INTERNATIONAL AND MAY NOT BE DISSEMINATED, COPIED, REPRODUCED OR OTHERWISE USED WITHOUT PRIOR WRITTEN CONSENT OF VORTEX AQUATIC STRUCTURES INTERNATIONAL.
 CE DOCUMENT EST EN TOUT TEMPS LA PROPRIÉTÉ DE VORTEX STRUCTURES AQUATIQUES INTERNATIONALES INC. ET NE PEUT ÊTRE UTILISÉ OU REPRODUIT SANS UN CONSENTEMENT ÉCRIT DE VORTEX STRUCTURES AQUATIQUES INTERNATIONALES INC.



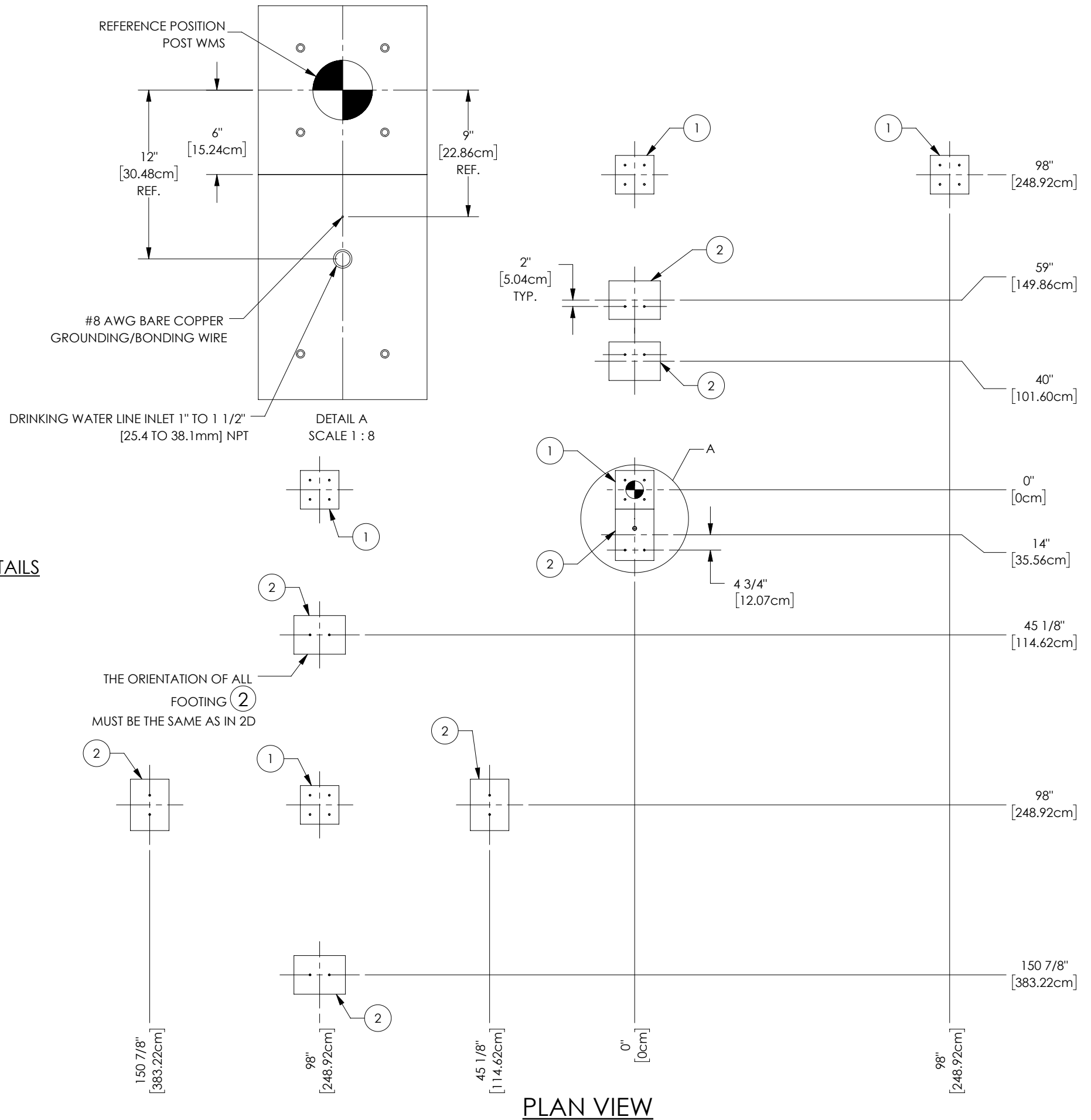
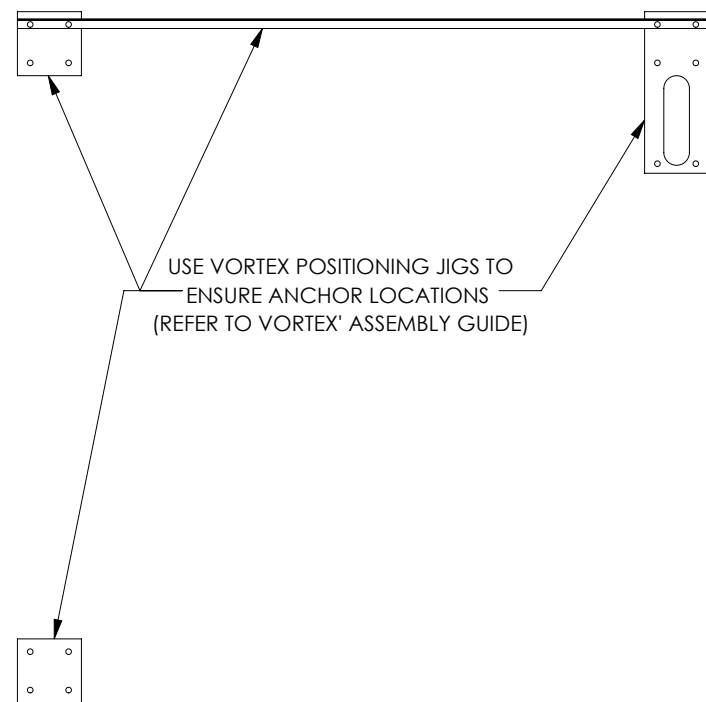
POST FOOTING DIMENSIONS & DETAILS

DIMENSIONS MAY VARY, BUT CONCRETE VOLUME MUST BE MINIMUM 5500 IN³ (3.183 FT³) [0.09 m³]
 LIGHTWEIGHT CONCRETE OF MINIMUM DENSITY = 90 LBS/FT³ [14.14 kN/m³]



BENCH, RIVER MAZE AND WMS FOOTING DIMENSIONS & DETAILS

*DIMENSIONS MAY VARY, BUT CONCRETE VOLUME MUST BE MINIMUM 1005 IN³ (0.582 FT³) [0.165 m³]
 LIGHTWEIGHT CONCRETE OF MINIMUM DENSITY = 90 LBS/FT³ [14.14 kN/m³]



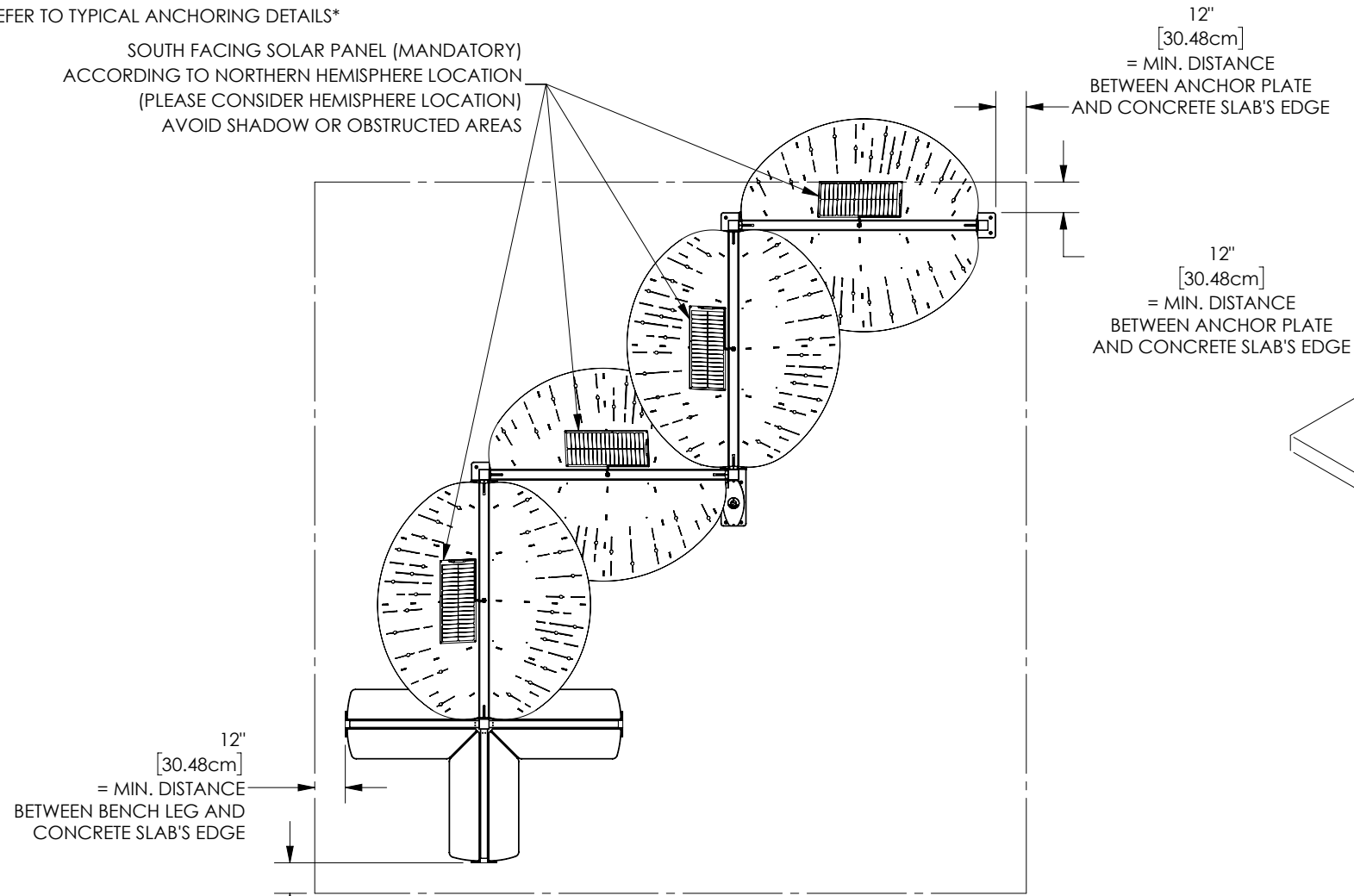
PLAN VIEW

VOR 3506 - ABRIO 06
INSTALLATION DRAWING

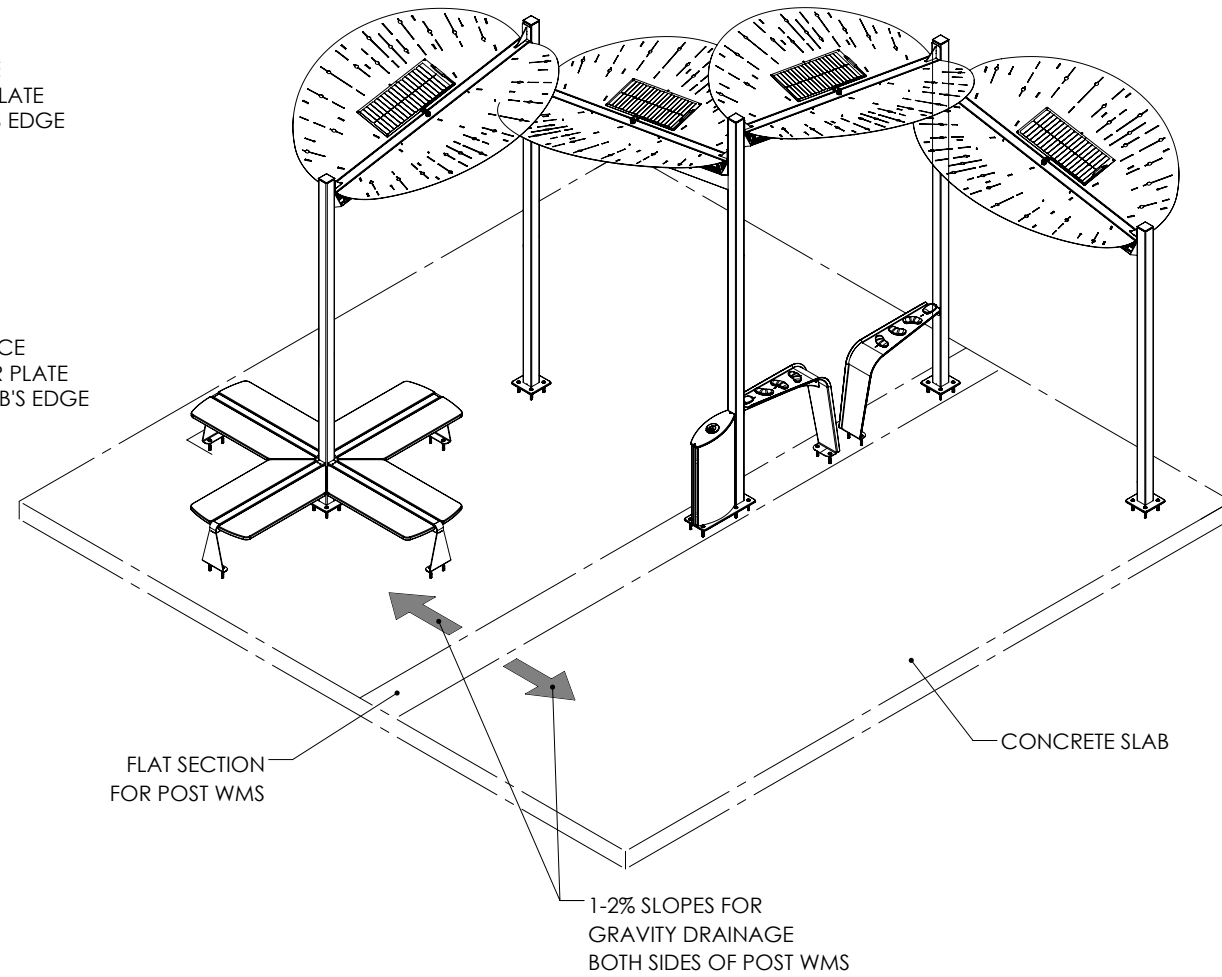
INSTALLATION OPTION #2: CONCRETE SLAB

REFER TO TYPICAL ANCHORING DETAILS

SOUTH FACING SOLAR PANEL (MANDATORY)
ACCORDING TO NORTHERN HEMISPHERE LOCATION
(PLEASE CONSIDER HEMISPHERE LOCATION)
AVOID SHADOW OR OBSTRUCTED AREAS



PLAN VIEW



FLAT SECTION FOR POST WMS

CONCRETE SLAB

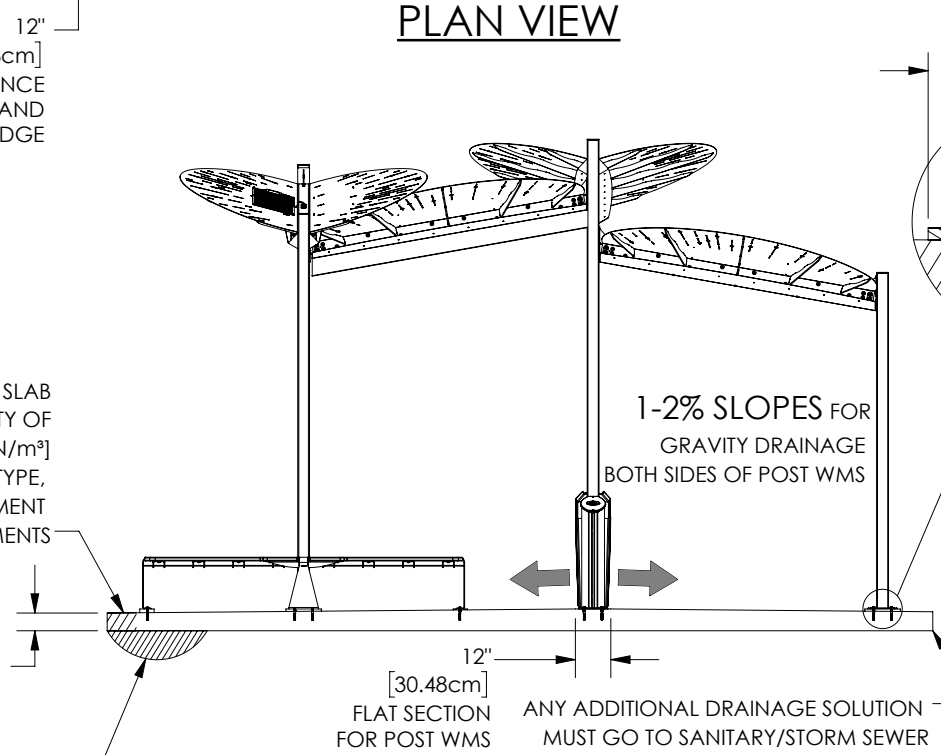
1-2% SLOPES FOR GRAVITY DRAINAGE BOTH SIDES OF POST WMS

12" [30.48cm] = MIN. DISTANCE BETWEEN BENCH LEG AND CONCRETE SLAB'S EDGE

1" [2.54cm] MIN. AROUND ANCHOR PLATE

LIGHTWEIGHT CONCRETE SLAB
MINIMUM DENSITY OF 90 LBS/FT³ [14.14 kN/m³]
VERIFY LOCAL CODES FOR TYPE, THICKNESS & REINFORCEMENT REQUIREMENTS

6" [15.24cm] MIN. THICKNESS FOR CONCRETE SLAB
COMPACTED GRANULAR (DONE BY OTHERS)



FRONT ELEVATION VIEW

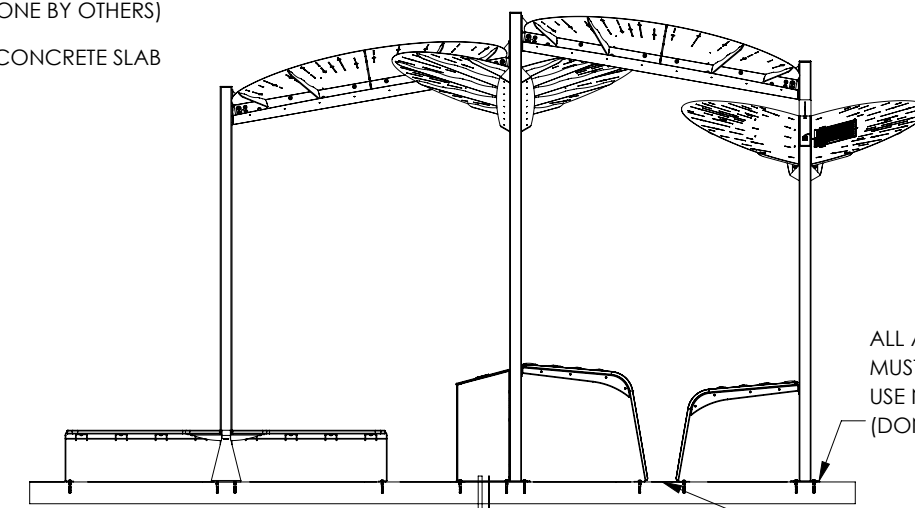
LEVEL WITH NON-SHRINK GROUT (DONE BY OTHERS)
CONCRETE SLAB

DRINKING WATER LINE INLET 1" TO 1 1/2" [25.4 TO 38.1mm] NPT
MIN. 2° SLOPE BACK TO WATER SUPPLY. REFER TO CONSTRUCTION DOCUMENTS FOR LINE SIZE DETAILS. (LINE CONNECTION SUPPLIED AND DONE BY OTHERS)

#8 AWG BARE COPPER GROUNDING/BONDING WIRE (SUPPLIED AND DONE BY OTHERS)

ALL ANCHOR PLATES AND LEGS MUST BE INSTALLED AT THE SAME LEVEL. USE NON-SHRINK GROUT TO LEVEL. (DONE BY OTHERS)

OPTIONAL 6"X6" [15.24X15.24cm] DRAIN BETWEEN RIVER MAZES (SUPPLIED AND DONE BY OTHERS)



SIDE ELEVATION VIEW



VORTEX AQUATIC STRUCTURES INTL
7800 Autoroute Trans Canadienne
Pointe Claire (Montreal)
Québec, Canada H9R 1C6
Toll-free: 1.877.5VORTEX
www.vortex-intl.com

COPYRIGHT VORTEX AQUATIC STRUCTURES INTERNATIONAL-THIS DOCUMENT AND THE IDEAS, RENDERINGS AND OTHER CONTENTS CONTAINED THEREIN ARE THE SOLE PROPERTY OF VORTEX AQUATIC STRUCTURES INTERNATIONAL AND MAY NOT BE DISSEMINATED, COPIED, REPRODUCED OR OTHERWISE USED WITHOUT PRIOR WRITTEN CONSENT OF VORTEX AQUATIC STRUCTURES INTERNATIONAL.
CE DOCUMENT EST EN TOUT TEMPS LA PROPRIÉTÉ DE VORTEX STRUCTURES AQUATIQUES INTERNATIONALES INC. ET NE PEUT ÊTRE UTILISÉ OU REPRODUIT SANS UN CONSENTEMENT ÉCRIT DE VORTEX STRUCTURES AQUATIQUES INTERNATIONALES INC.

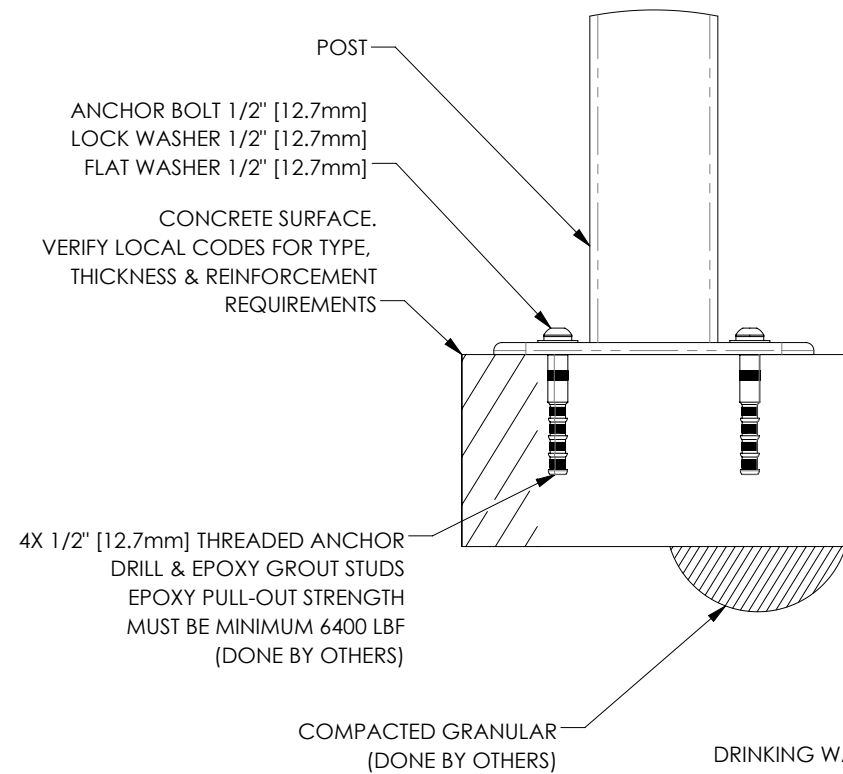
ABRIO 06 - VOR 3506 INSTALLATION DRAWING

POSTS TYPICAL ANCHORING STEPS (DONE BY OTHERS)

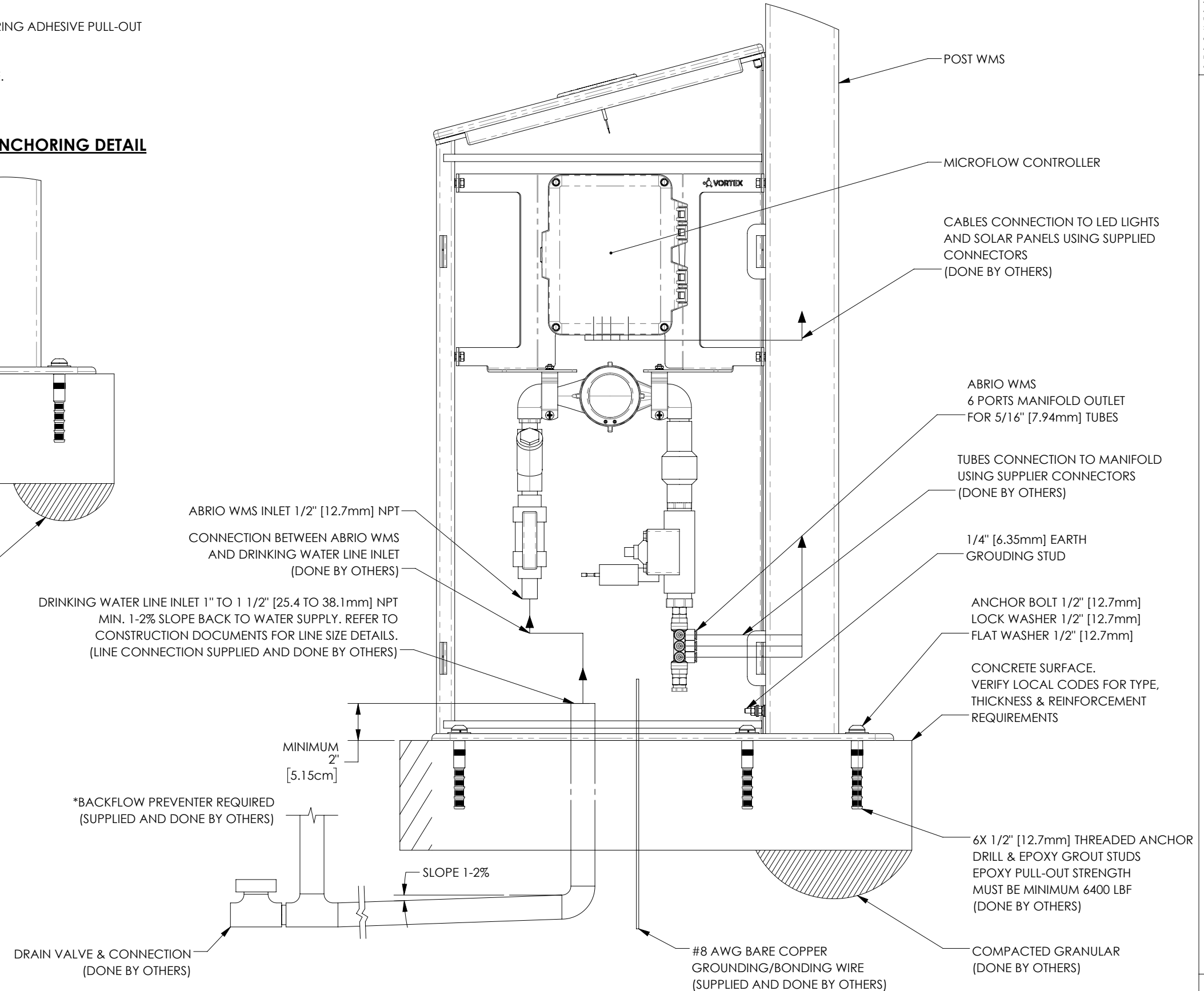
REFER TO ANCHORING POSITIONS PAGE AND VORTEX' ASSEMBLY GUIDE

1. PLACE ANCHORING JIGS AS DETAILED IN THE VORTEX' ASSEMBLY GUIDE
2. MARK ON CONCRETE FOOTING OR SLAB, THE POST'S ANCHORING HOLES' POSITIONS.
3. DRILL ON HOLES' MARKINGS WITH 3/4" DRILL BIT SIZE.
4. CLEAN THE DRILLED HOLES.
5. PUT ANCHORS IN HOLES WITH EPOXY (EPOXY ANCHORING ADHESIVE PULL-OUT STRENGTH MUST BE MINIMUM 6400 LBF)
6. WAIT FOR EPOXY'S CURING TIME
7. ASSEMBLE THE POSTS AS PER VORTEX' ASSEMBLY GUIDE.

POST TYPICAL ANCHORING DETAIL



POST WMS TYPICAL ANCHORING DETAIL



COPYRIGHT VORTEX AQUATIC STRUCTURES INTERNATIONAL-THIS DOCUMENT AND THE IDEAS, RENDERINGS AND OTHER CONTENTS CONTAINED THEREIN ARE THE SOLE PROPERTY OF VORTEX AQUATIC STRUCTURES INTERNATIONAL AND MAY NOT BE DISSEMINATED, COPIED, REPRODUCED OR OTHERWISE USED WITHOUT PRIOR WRITTEN CONSENT OF VORTEX AQUATIC STRUCTURES INTERNATIONAL.
 CE DOCUMENT EST EN TOUT TEMPS LA PROPRIÉTÉ DE VORTEX STRUCTURES AQUATIQUES INTERNATIONALES INC. ET NE PEUT ÊTRE UTILISÉ OU REPRODUIT SANS UN CONSENTEMENT ÉCRIT DE VORTEX STRUCTURES AQUATIQUES INTERNATIONALES INC.

**ABRIO 06 - VOR 3506
 INSTALLATION DRAWING**

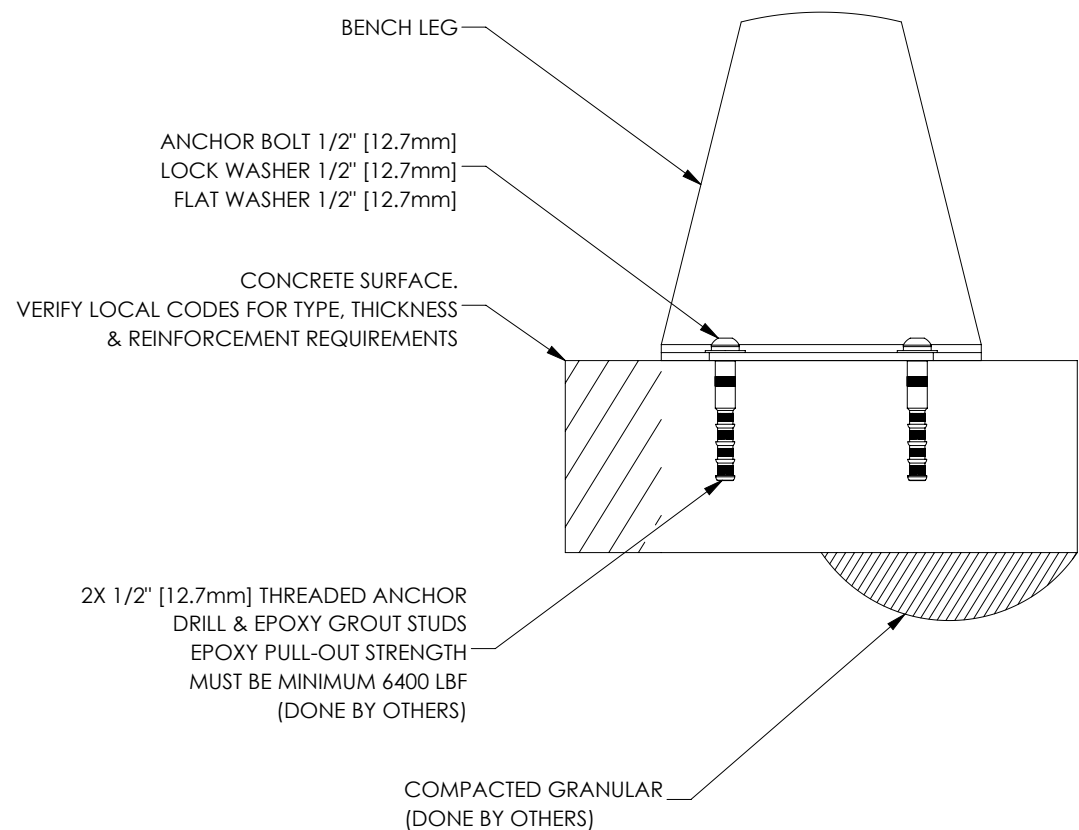
BENCH TYPICAL ANCHORING STEPS (DONE BY OTHERS):

1. PLACE BENCH ON POST BRACKET.
2. MARK ON CONCRETE FOOTING OR SLAB, THE BENCH LEG ANCHORING HOLES' POSITIONS.
3. REMOVE BENCH.
4. DRILL ON HOLES' MARKINGS WITH 3/4" DRILL BIT SIZE.
5. CLEAN THE DRILLED HOLES.
6. PUT ANCHORS IN HOLES WITH EPOXY (EPOXY ANCHORING ADHESIVE PULL-OUT STRENGTH MUST BE MINIMUM 6400 LBF)
7. WAIT FOR EPOXY'S CURING TIME
8. ASSEMBLE THE BENCH AS PER VORTEX' ASSEMBLY GUIDE.

RIVER MAZE TYPICAL ANCHORING STEPS (DONE BY OTHERS):

1. ASSEMBLE RIVER MAZE ON POST, USING SUPPLIED HARDWARE.
2. MARK ON CONCRETE FOOTING OR SLAB, THE RIVER MAZE LEG ANCHORING HOLES' POSITIONS.
3. REMOVE RIVER MAZE.
4. DRILL ON HOLES' MARKINGS WITH 3/4" DRILL BIT SIZE.
5. CLEAN THE DRILLED HOLES.
6. PUT ANCHORS IN HOLES WITH EPOXY (EPOXY ANCHORING ADHESIVE PULL-OUT STRENGTH MUST BE MINIMUM 6400 LBF)
7. WAIT FOR EPOXY'S CURING TIME
8. ASSEMBLE THE RIVER MAZE AS PER VORTEX' ASSEMBLY GUIDE.

BENCH TYPICAL ANCHORING DETAIL



RIVER MAZE TYPICAL ANCHORING DETAIL

