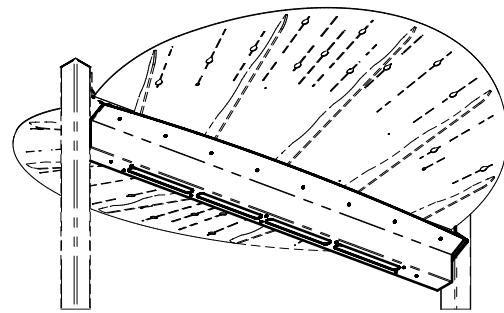
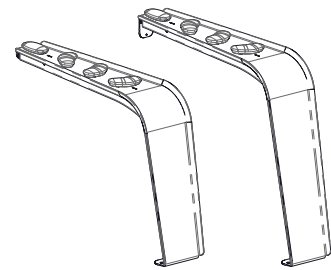


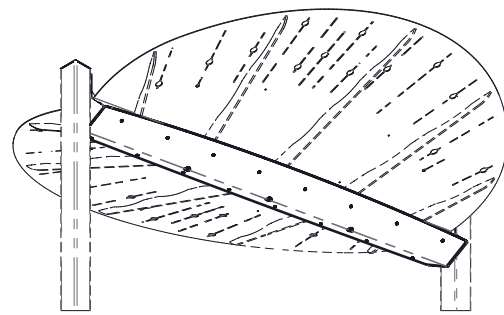
**WATER FEATURE OPTIONS**



SOFT RAIN

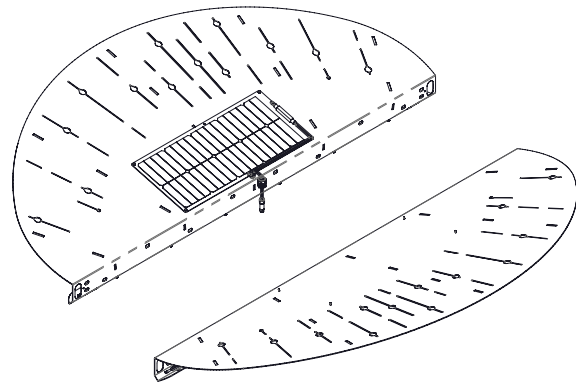


2X RIVER MAZE  
INCLUDED IN VOR 3504 ONLY

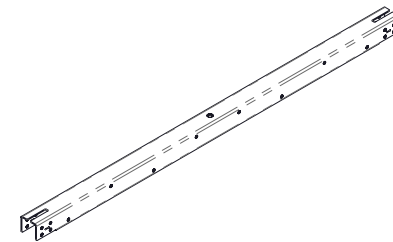


MIST

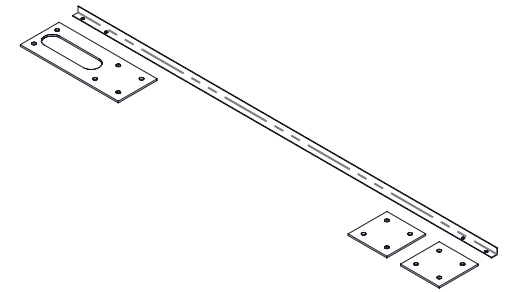
**DEFAULT PARTS**



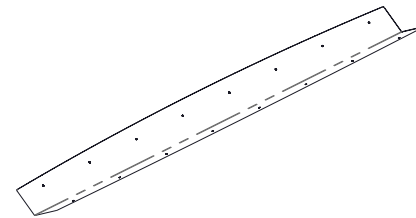
4X CANOPY  
2X WITH SOLAR PANEL  
2X WITHOUT SOLAR PANEL



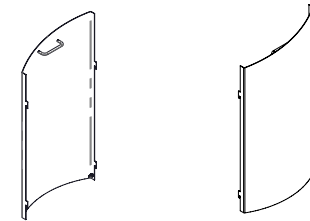
2X BEAMS



1X ANCHORING JIGS KIT



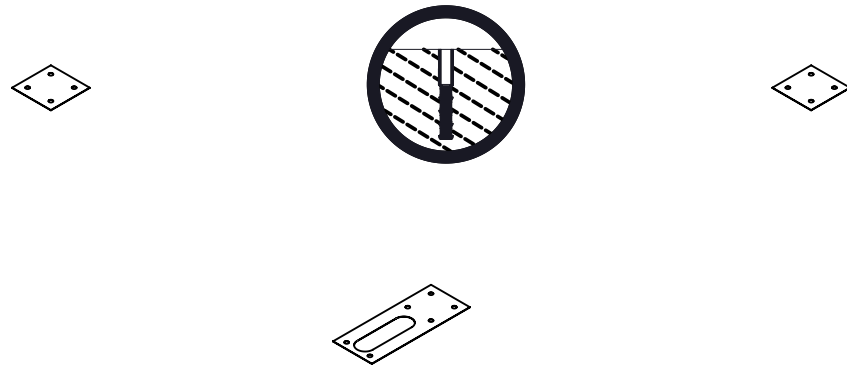
1X CANOPY COVER  
IN VOR 3501 ONLY



1X WMS CASING LEFT SIDE PANEL  
1X WMS CASING RIGHT SIDE PANEL

**ABRIO 01 - VOR 3501 & 3501B  
 BOM & OPTIONS**

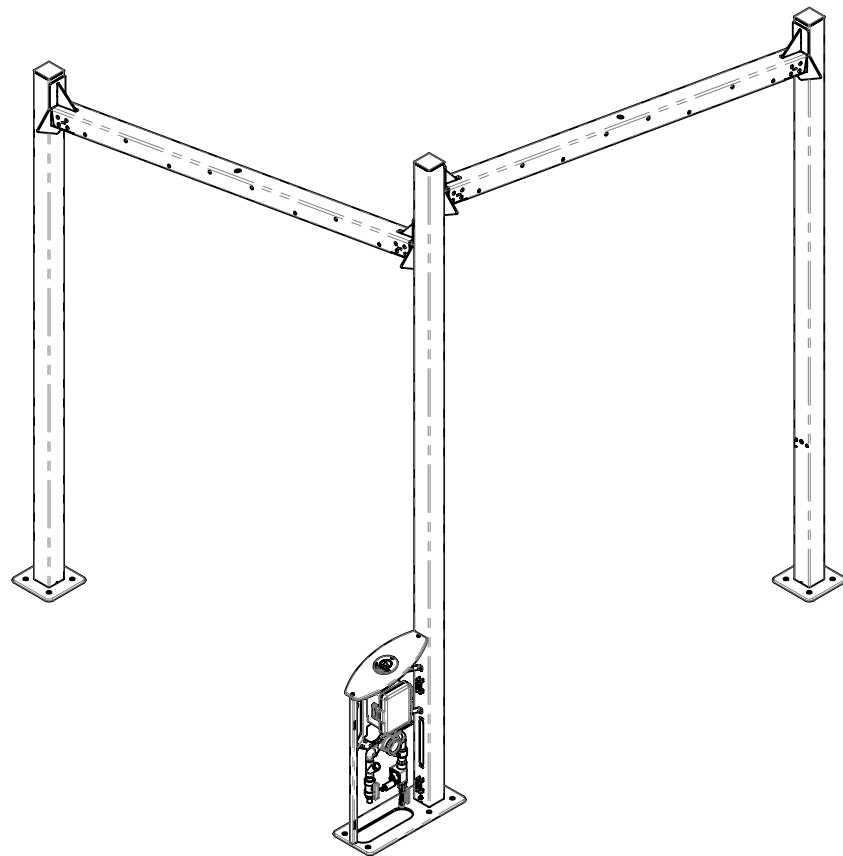
# #1



### POST ANCHORS' INSTALLATION

REFER TO ANCHORING MARKING METHOD ON P. **TYP - 01**  
 REFER TO ANCHOR ASSEMBLY DETAIL ON P. **TYP - 02**  
 USE INSTALLATION DRAWING MEASUREMENTS FOR MORE DETAILS

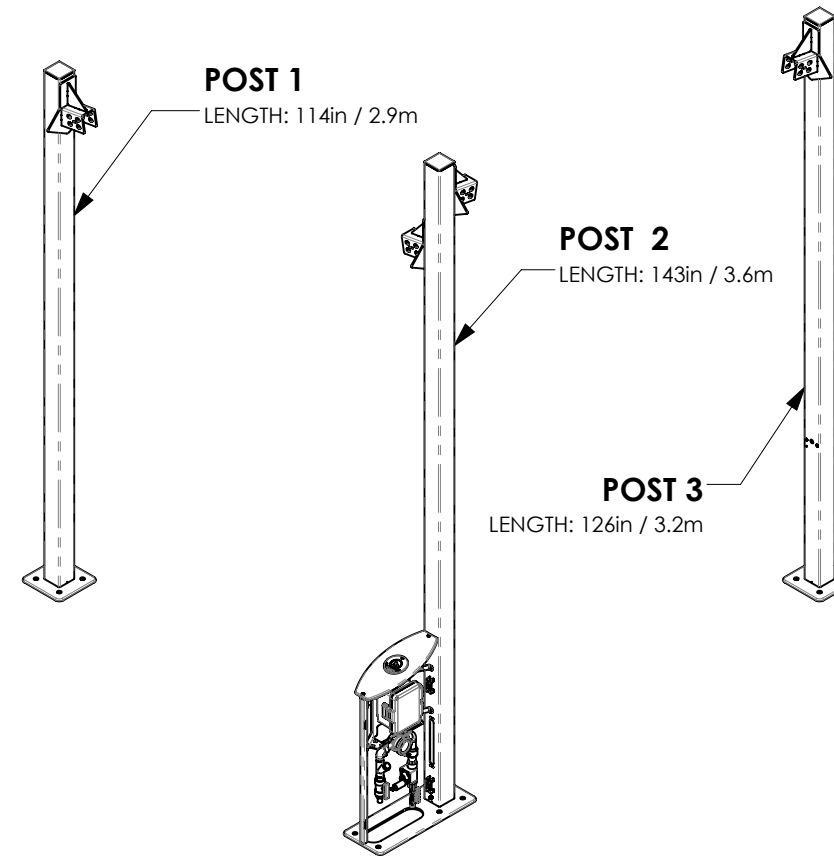
# #3



### BEAMS INSTALLATION

FULLY SECURE THE POSTS WITH TOOLS AFTER ALL BEAMS ARE INSTALLED  
 REFER TO BEAM ASSEMBLY DETAIL ON P. **TYP - 07**

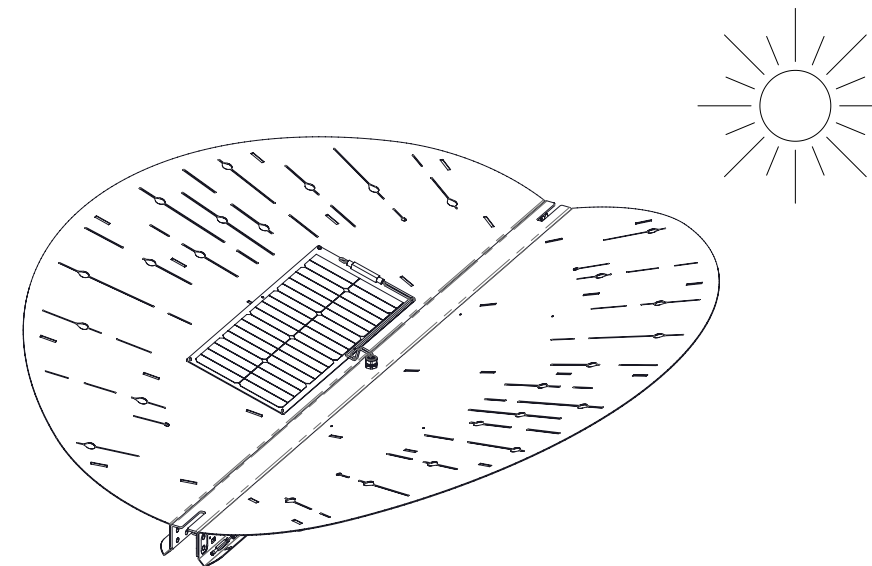
# #2



### POSTS INSTALLATION

HAND-TIGHTEN THE POSTS ON THE GROUND  
 REFER TO WMS POST ASSEMBLY DETAIL ON P. **TYP - 03**  
 REFER TO POST ASSEMBLY DETAIL ON P. **TYP - 06**

# #4.A



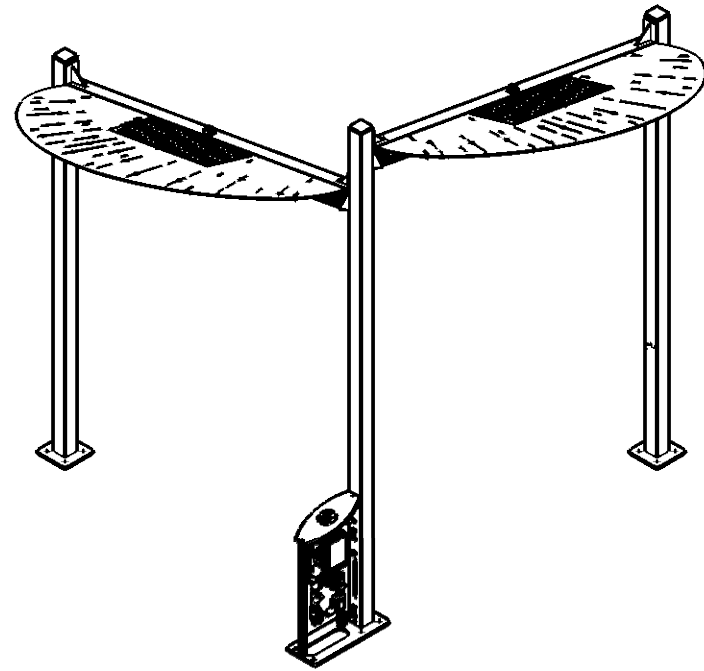
### CANOPIES WITH SOLAR PANEL ORIENTATION

CANOPIES WITH SOLAR PANEL MUST BE INSTALLED TOWARDS THE SUN  
 (SOLAR PANEL FACING SOUTH IN NORTH HEMISPHERE / FACING NORTH IN SOUTH HEMISPHERE) AVOID  
 SHADOW AND OBSTRUCTED AREAS  
 REFER TO CANOPY ASSEMBLY DETAIL ON P. **TYP - 09**

**IF YOU HAD SEVERAL DAYS WITHOUT SUN (3 OR MORE), THE SYSTEM WILL GO TO A SLEEP MODE, WHICH WILL SHUTDOWN THE SYSTEM TO PROTECT THE CONTROLLER AND THE BATTERY UNTIL IT'S RECHARGED TO 20% (3-5 SUNNY HOURS).**

# ABRIO 01 - VOR 3501 & 3501B ASSEMBLY STEPS

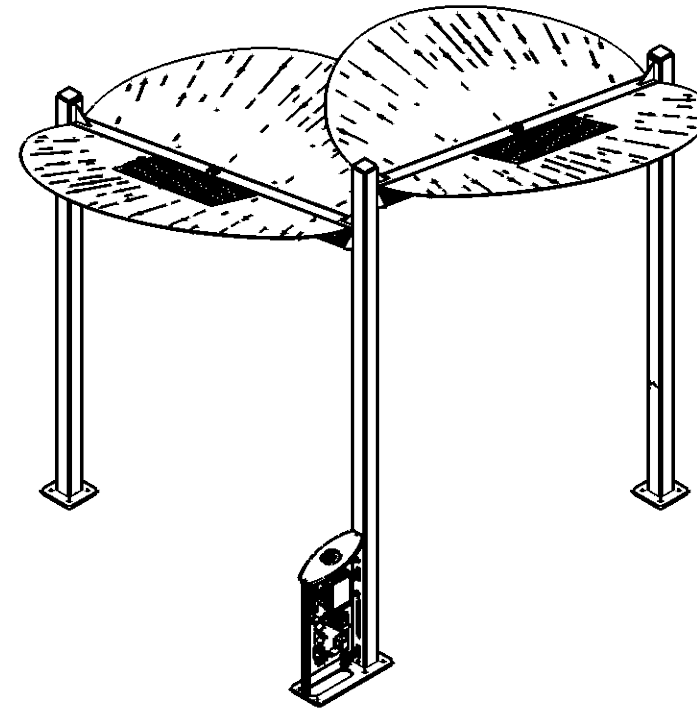
# #4.B



## CANOPIES WITH SOLAR PANEL INSTALLATION

FROM THE HIGHEST CANOPY TO THE LOWEST (REFER TO SEQ. ORDER AS DESCRIBE ABOVE)  
REFER TO CANOPY ASSEMBLY DETAIL ON P. **TYP - 08**

# #4.C

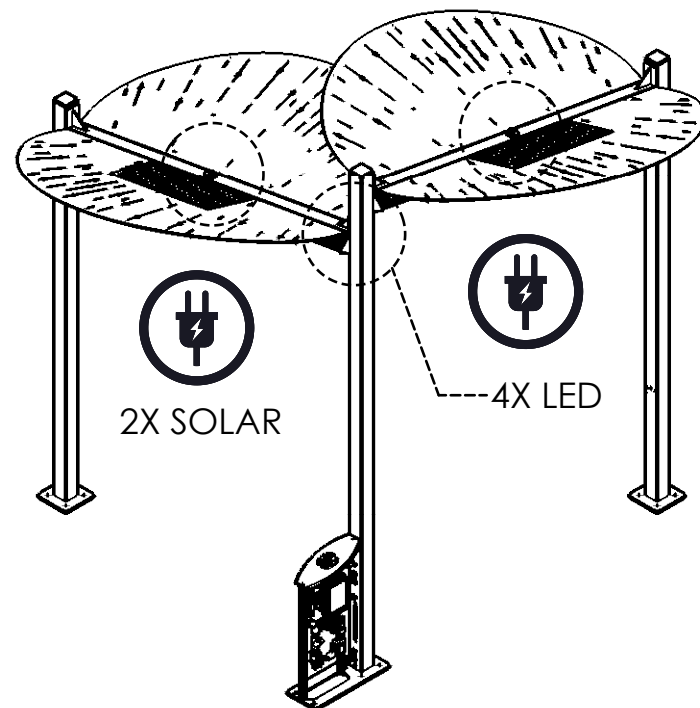


## CANOPIES INSTALLATION

FROM THE HIGHEST CANOPY TO THE LOWEST (REFER TO SEQ. ORDER AS DESCRIBE ABOVE)  
REFER TO CANOPY ASSEMBLY DETAIL ON P. **TYP - 08**

# #5

**CRITICAL STEP**  
**MAKE SURE ALL CABLES ARE CONNECTED**



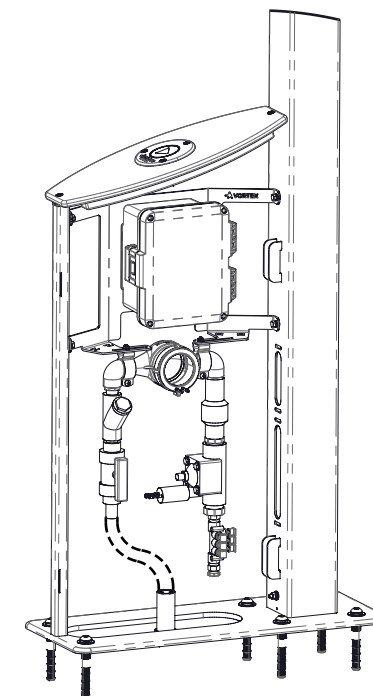
2X SOLAR

4X LED

## ELECTRIC CONNECTION OF LEDS

REFER TO CANOPY ASSEMBLY DETAIL ON P. **TYP - 10 & P. TYP - 14**  
REFER TO ABRIO 01 ELECTRICAL CABLE MANAGEMENT

# #6



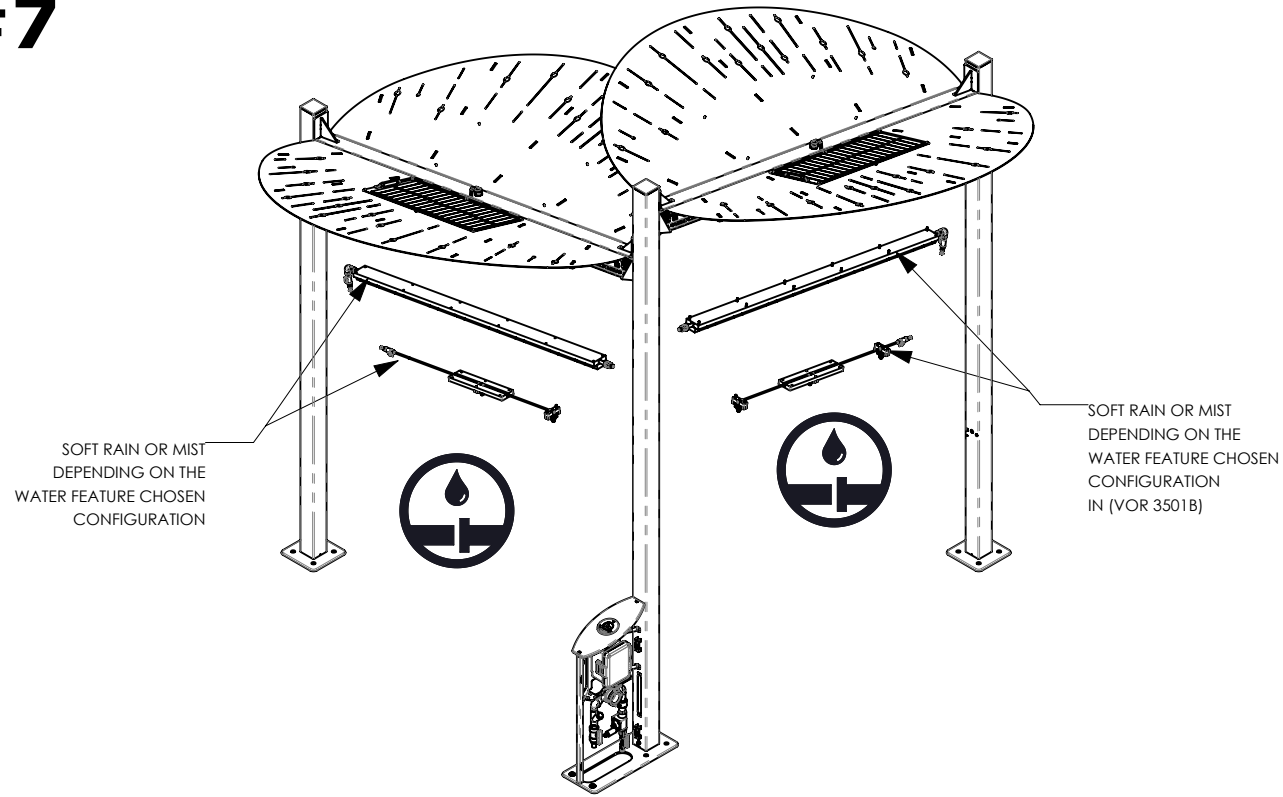
## TESTING STEPS:

- 1- CONNECT WATER LINE INLET TO WATER MANAGEMENT SYSTEM
- 2- CONNECT TUBINGS TO THE MANIFOLDS
- 3- OPEN MAIN VALVE
- 4- PRESS THE PLAYSTART ACTIVATOR
- 5- LET WATER FLOW FROM THE OTHER ENDS OF THE TUBINGS DURING 4 MIN SEQUENCE

## WATER TESTING

TEST IF WATER FLOW THROUGH THE MANIFOLD

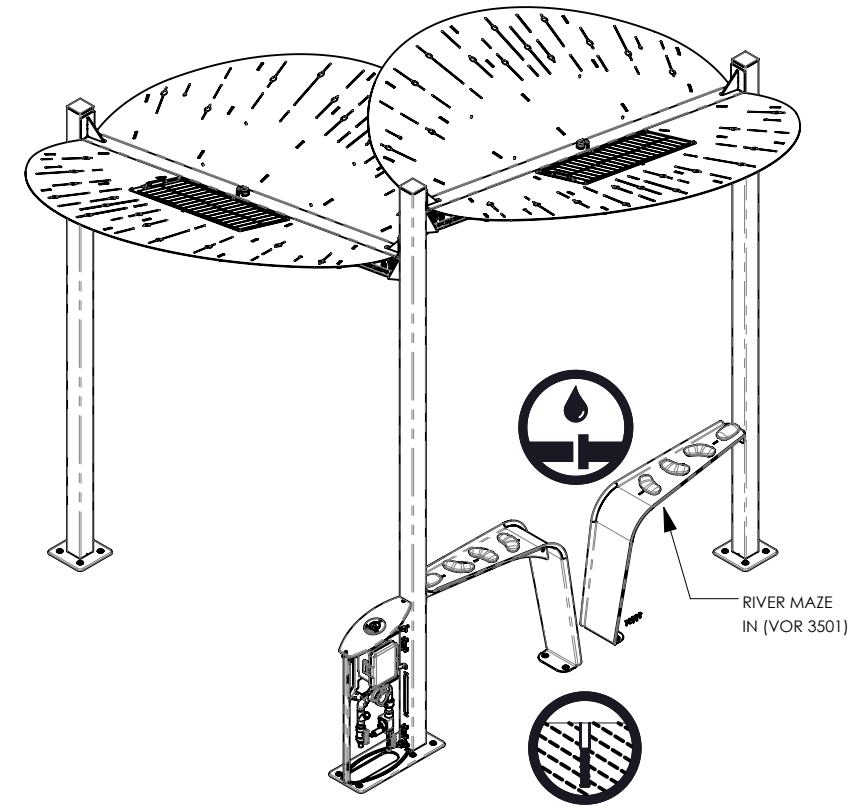
#7



**SOFT RAIN OR MIST INSTALLATION**

WATER FEATURE TYPES MAY VARY  
REFER TO MIST ASSEMBLY DETAIL ON P. **TYP - 15** / REFER TO SOFT RAIN ASSEMBLY DETAIL ON P. **TYP - 17** REFER TO ABRIO 01 WATER TUBING MANAGEMENT

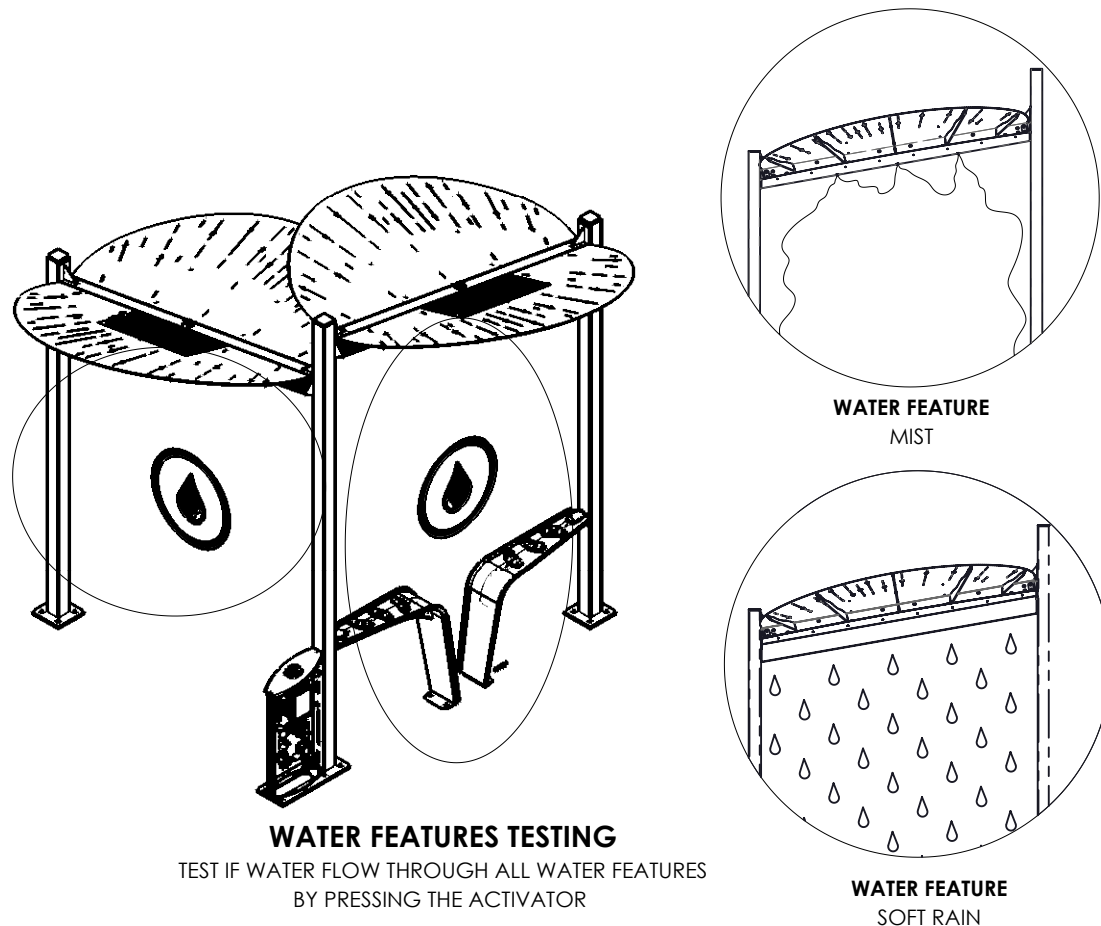
#8



**RIVER MAZES INSTALLATION**

REFER TO RIVER MAZE ASSEMBLY DETAIL ON P. **TYP - 19**  
REFER TO ABRIO 01 WATER TUBING MANAGEMENT

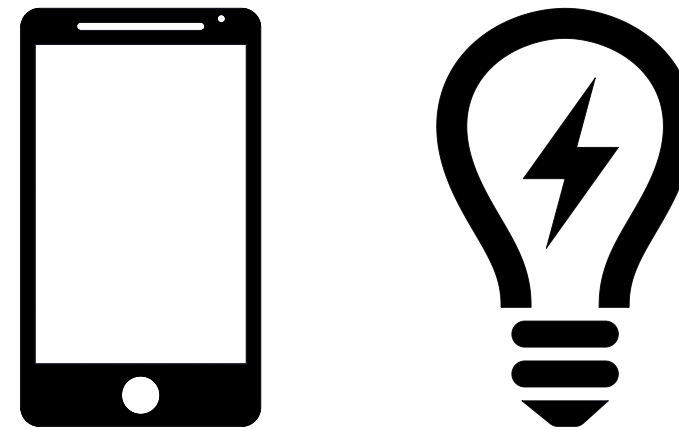
#9



**WATER FEATURES TESTING**

TEST IF WATER FLOW THROUGH ALL WATER FEATURES BY PRESSING THE ACTIVATOR

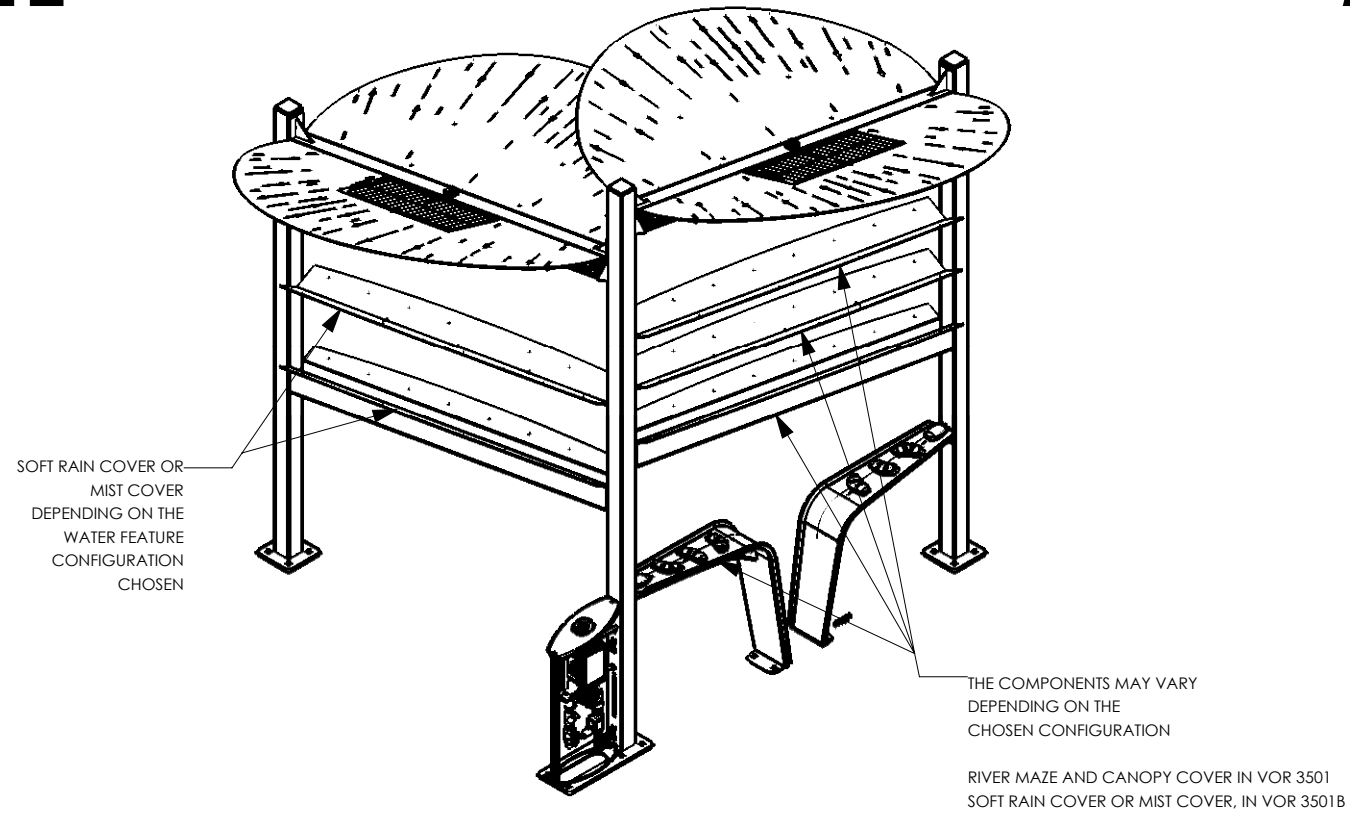
#10



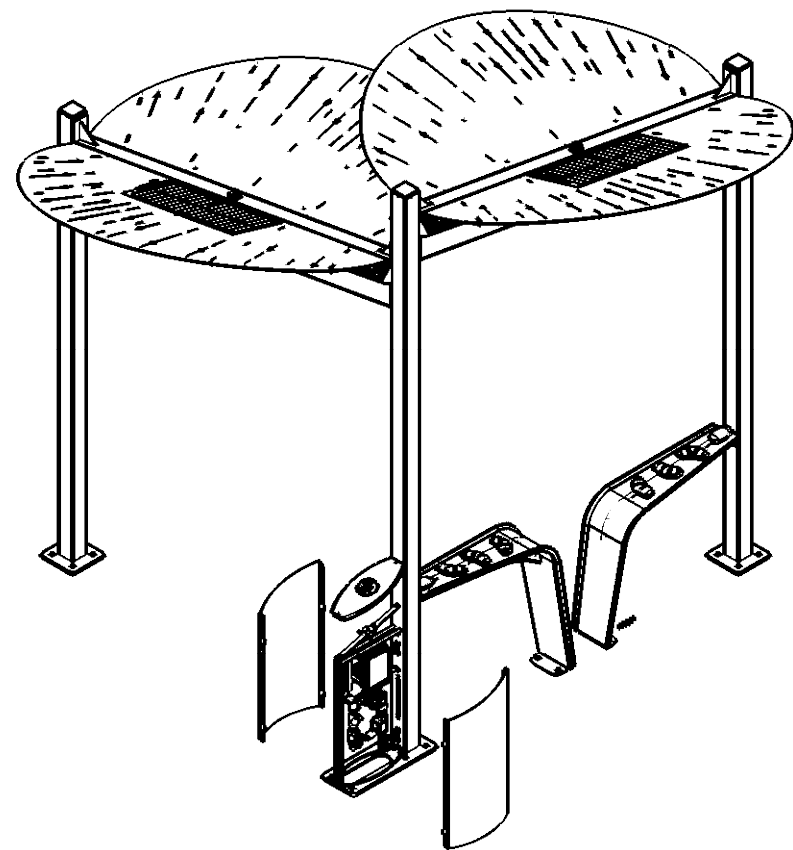
**APPLICATION TESTING**

CONNECT THE ABRIO WITH THE CELLPHONE APPLICATION'S AND DO LIGHTNING TESTING FROM THE APPLICATION

# #11

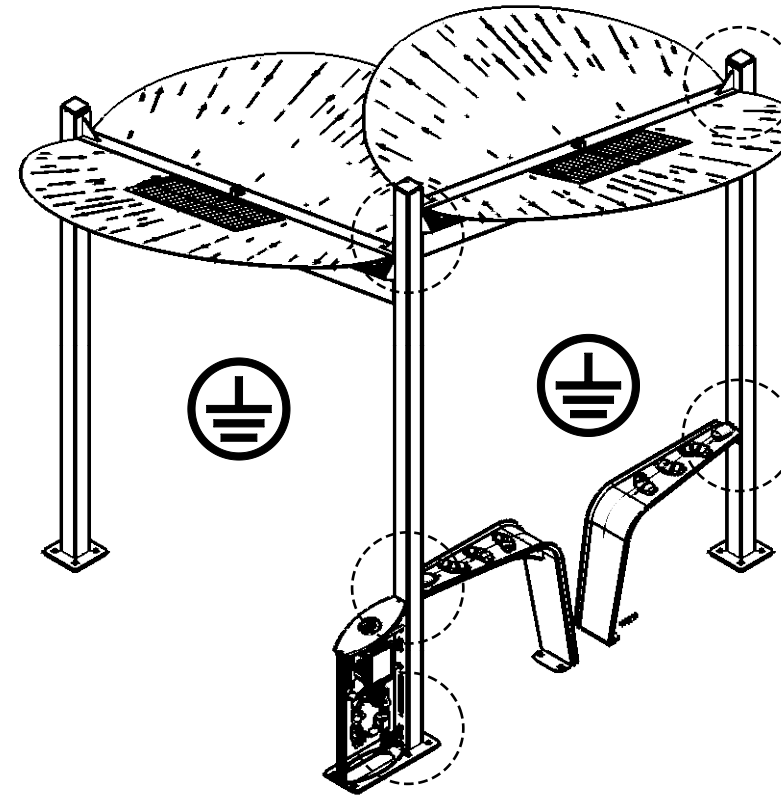


# #13



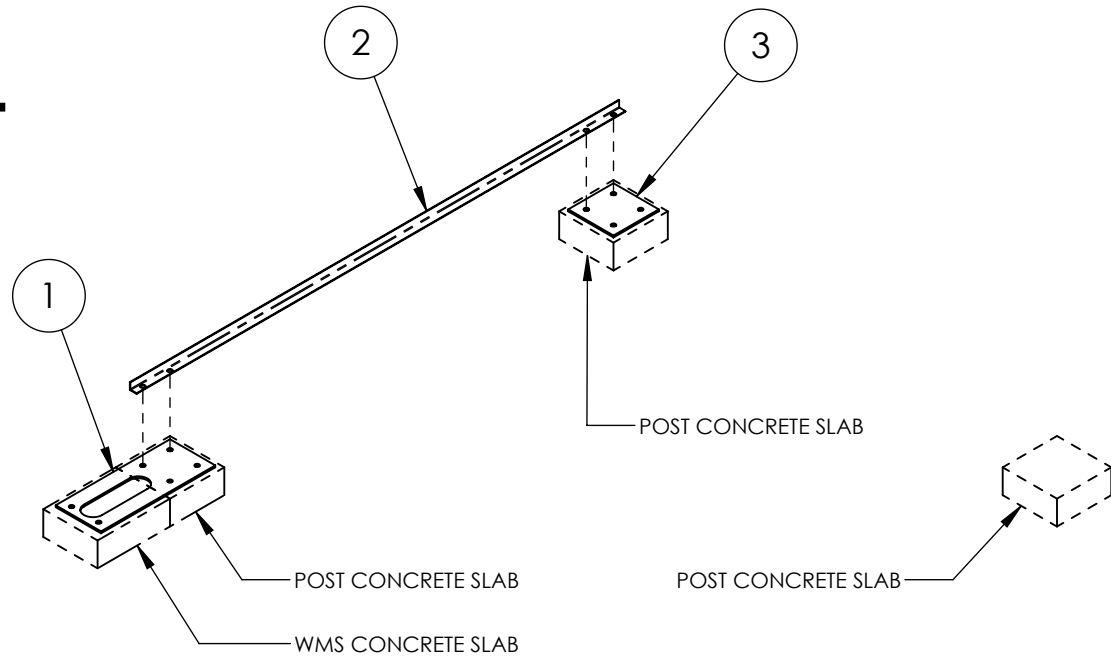
**WMS SIDE PANELS INSTALLATION**  
 REMOVE ACTIVATOR PLATE TO INSTALL THE WMS SIDE PANELS  
 REFER TO WMS POST ASSEMBLY DETAIL ON P. TYP - 05

# #12

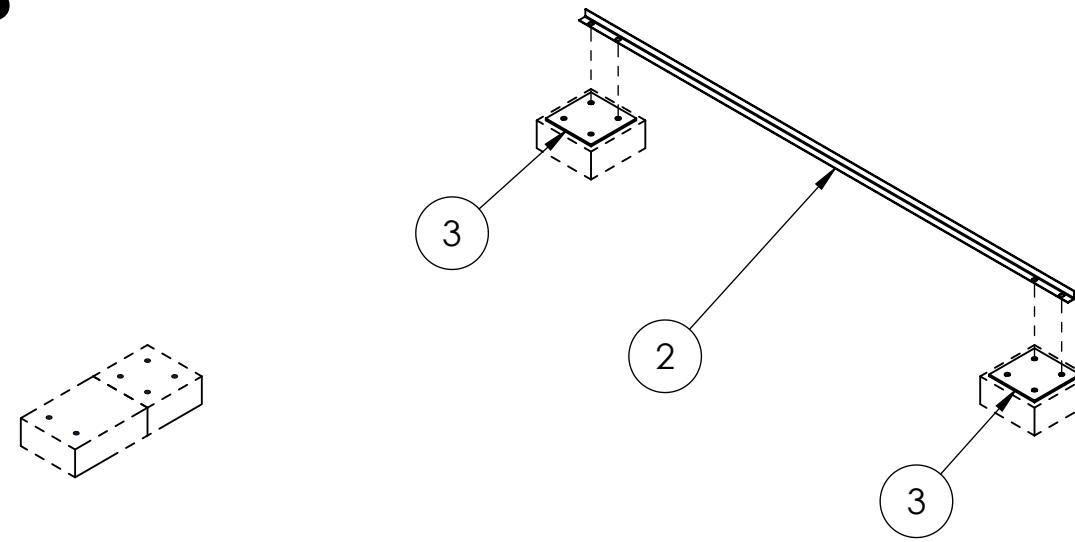


**GROUND AND BONDING VERIFICATION**  
 4X ON CANOPIES / 2X ON RIVER MAZES / 2X ON WMS POST

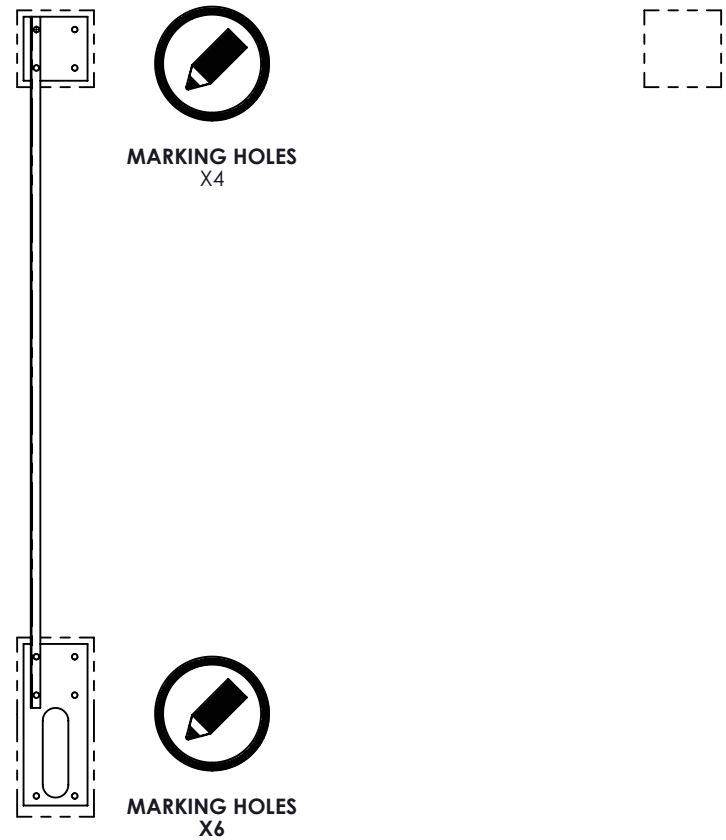
**#1**



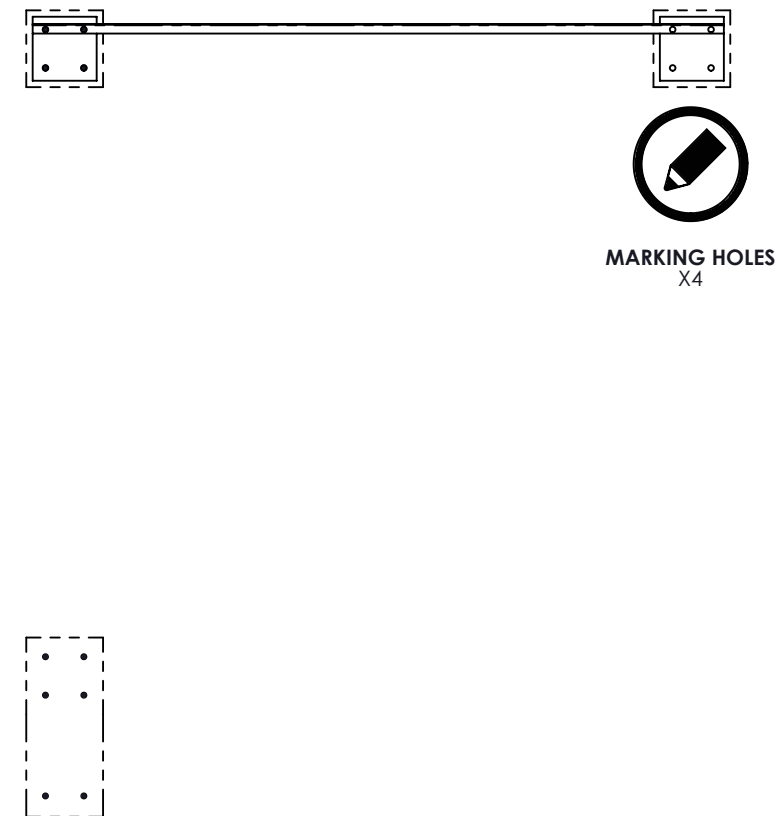
**#3**



**#2**



**#4**



ITEM NO.	QTY.	ITEM NUMBER	DESCRIPTION
1	1	135991	ABRIO_WMS ANCHOR PLATE JIG
2	1	134893	ABRIO_ANCHOR PLATE POSITIONING JIG
3	2	135998	ABRIO_ANCHOR PLATE JIG

**NOTES:**

CENTER THE PLATE JIGS AS PRECISELY AS POSSIBLE. IF THE ANCHORING IS ON A CONCRETE SLAB, YOU MUST TAKE MEASUREMENT, REFER TO INSTALLATION DRAWING; YOU MAY USE THE PLATE JIGS AS GUIDE FOR DRILLING THE ANCHOR HOLES

**ANCHORING MARKING METHOD**

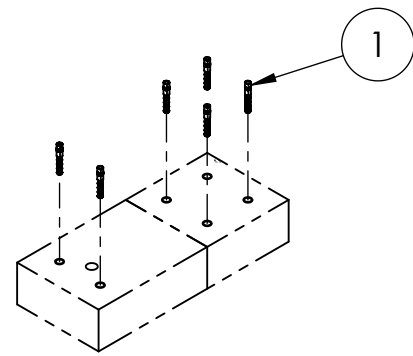
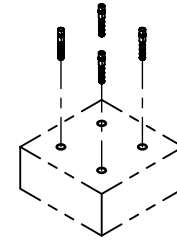
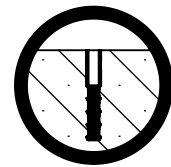
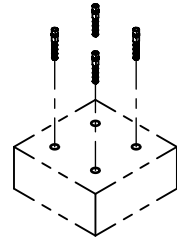
# #5

COPYRIGHT VORTEX AQUATIC STRUCTURES INTERNATIONAL- THIS DOCUMENT AND THE IDEAS, RENDERINGS AND OTHER CONTENTS CONTAINED THEREIN ARE THE SOLE PROPERTY OF VORTEX AQUATIC STRUCTURES INTERNATIONAL AND MAY NOT BE DISSEMINATED, COPIED, REPRODUCED OR OTHERWISE USED WITHOUT PRIOR WRITTEN CONSENT OF VORTEX AQUATIC STRUCTURES INTERNATIONAL.  
 CE DOCUMENT EST EN TOUT TEMPS LA PROPRIÉTÉ DE VORTEX STRUCTURES AQUATIQUES INTERNATIONALES INC. ET NE PEUT ÊTRE UTILISÉ OU REPRODUIT SANS UN CONSENTEMENT ÉCRIT DE VORTEX STRUCTURES AQUATIQUES INTERNATIONALES INC.

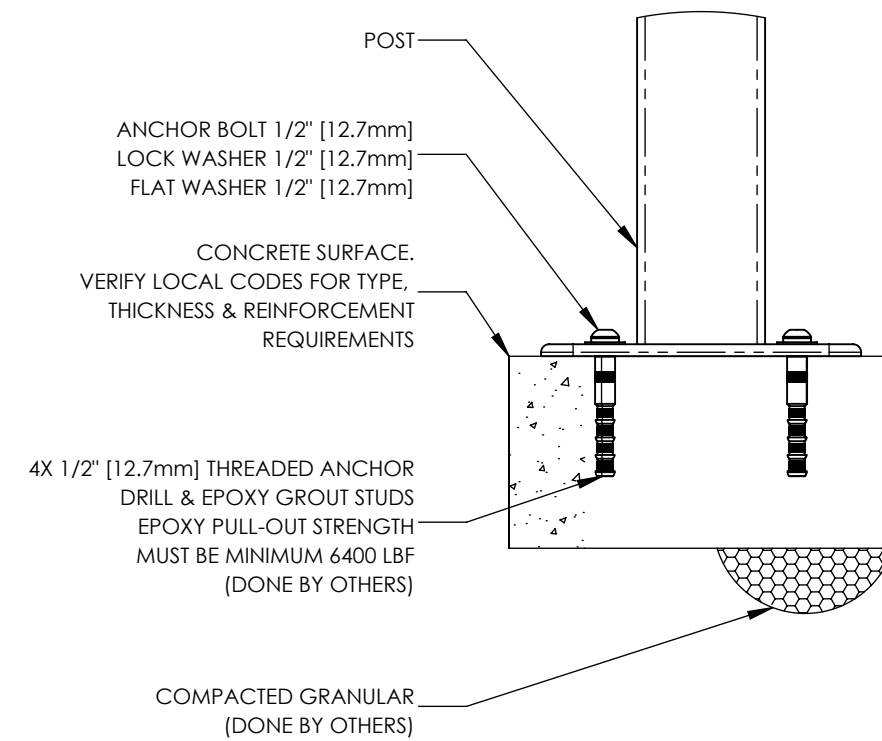
## POSTS TYPICAL ANCHORING STEPS (DONE BY OTHERS)

\*REFER TO ANCHORING POSITIONS PAGE

1. PLACE ANCHORING JIGS AS DETAILED IN THE VORTEX' ASSEMBLY GUIDE
2. MARK ON CONCRETE FOOTING OR SLAB, THE POST'S ANCHORING HOLES' POSITIONS.
3. DRILL ON HOLES' MARKINGS WITH 3/4" DRILL BIT SIZE.
4. CLEAN THE DRILLED HOLES.
5. PUT ANCHORS IN HOLES WITH EPOXY (EPOXY ANCHORING ADHESIVE PULL-OUT STRENGTH MUST BE MINIMUM 6400 LBF).
6. WAIT FOR EPOXY'S CURING TIME
7. ASSEMBLE THE POSTS AS PER VORTEX' ASSEMBLY GUIDE.

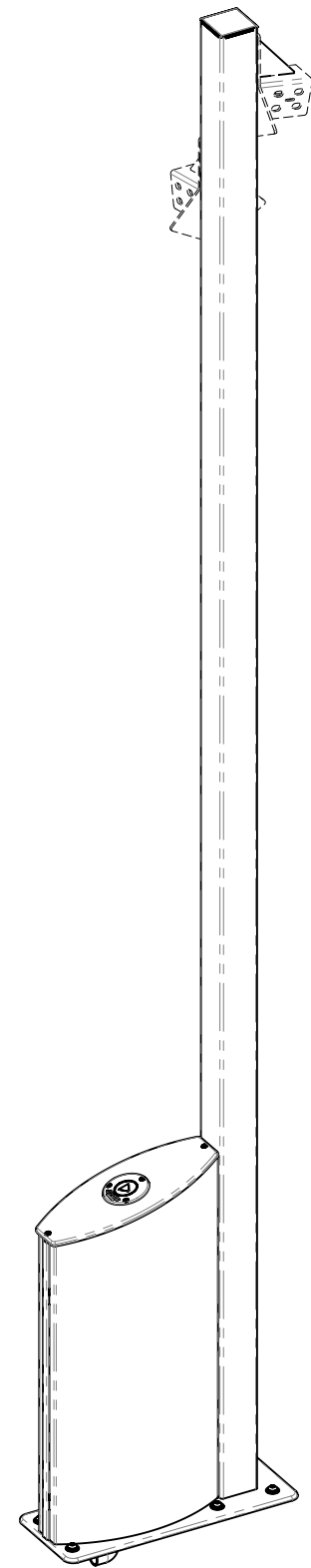


## POST TYPICAL ANCHORING DETAIL

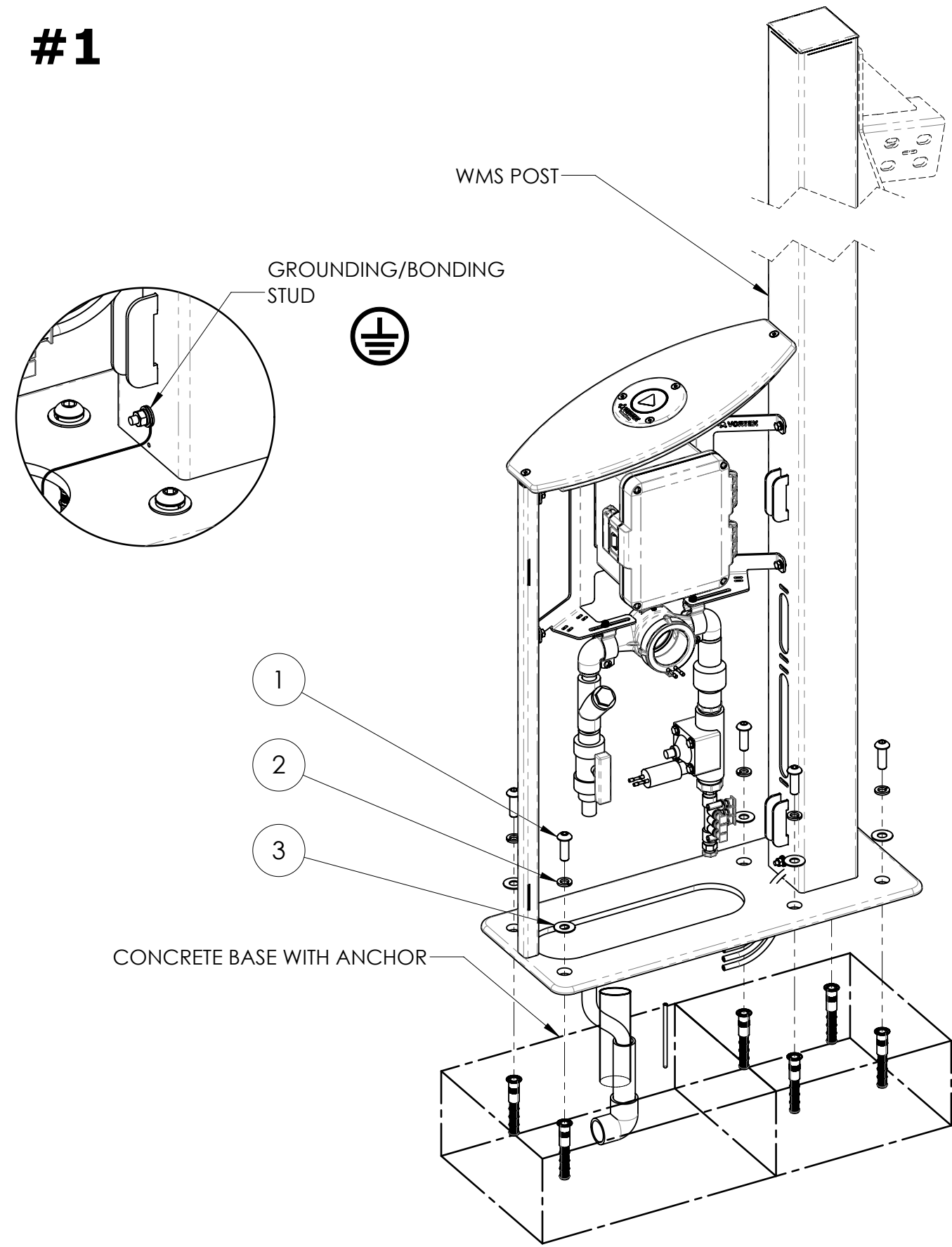


# ANCHOR ASSEMBLY DETAIL

ITEM NO.	QTY.	ITEM NUMBER	DESCRIPTION
1	4X PER POST 6X PER WMS POST	134450	ADHESIVE-GRIP CONCRETE ANCHOR, 1/2"-13 FNPT, ZINC PLATED STEEL



**#1**



**WMS POST ASSEMBLY DETAIL**

ITEM NO.	QTY.	ITEM NUMBER	DESCRIPTION
1	6	134671	BUTTON SOCKET CAP SCREW 1/2"-13 X 1 1/2" FULL THREAD ZINC PLATED
2	6	103394	SPLIT LOCK WASHER 1/2"
3	6	103867	FLAT WASHER 1/2" X 1 1/4"OD GP SMALL OD
4	1	134204	ABRIO_WMS CASING_LEFT SIDE PANEL_ASSEMBLY
5	1	134200	ABRIO_WMS CASING_RIGHT SIDE PANEL_ASSEMBLY

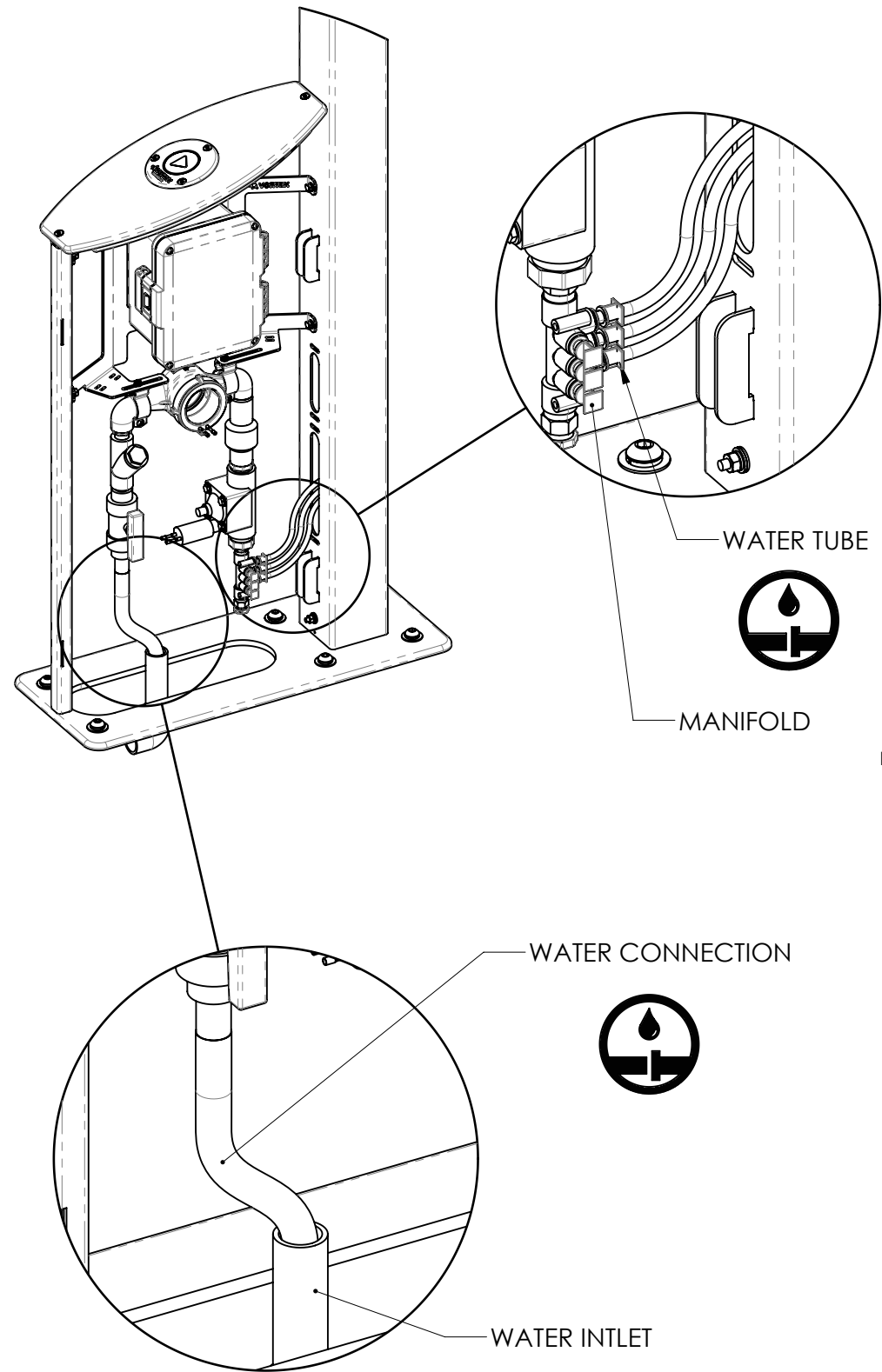
**NOTES:**

HAND TIGHT THE ANCHOR HARDWARE UNTIL POSTS AND BEAMS ARE ASSEMBLED;  
 THE GROUNDING MUST BE DONE BY THE INSTALLER WITH THE GROUNDING/BONDING STUD;  
 WMS SIDE PANELS INSTALLATION IS THE LAST STEP OF THE ABRIO ASSEMBLY

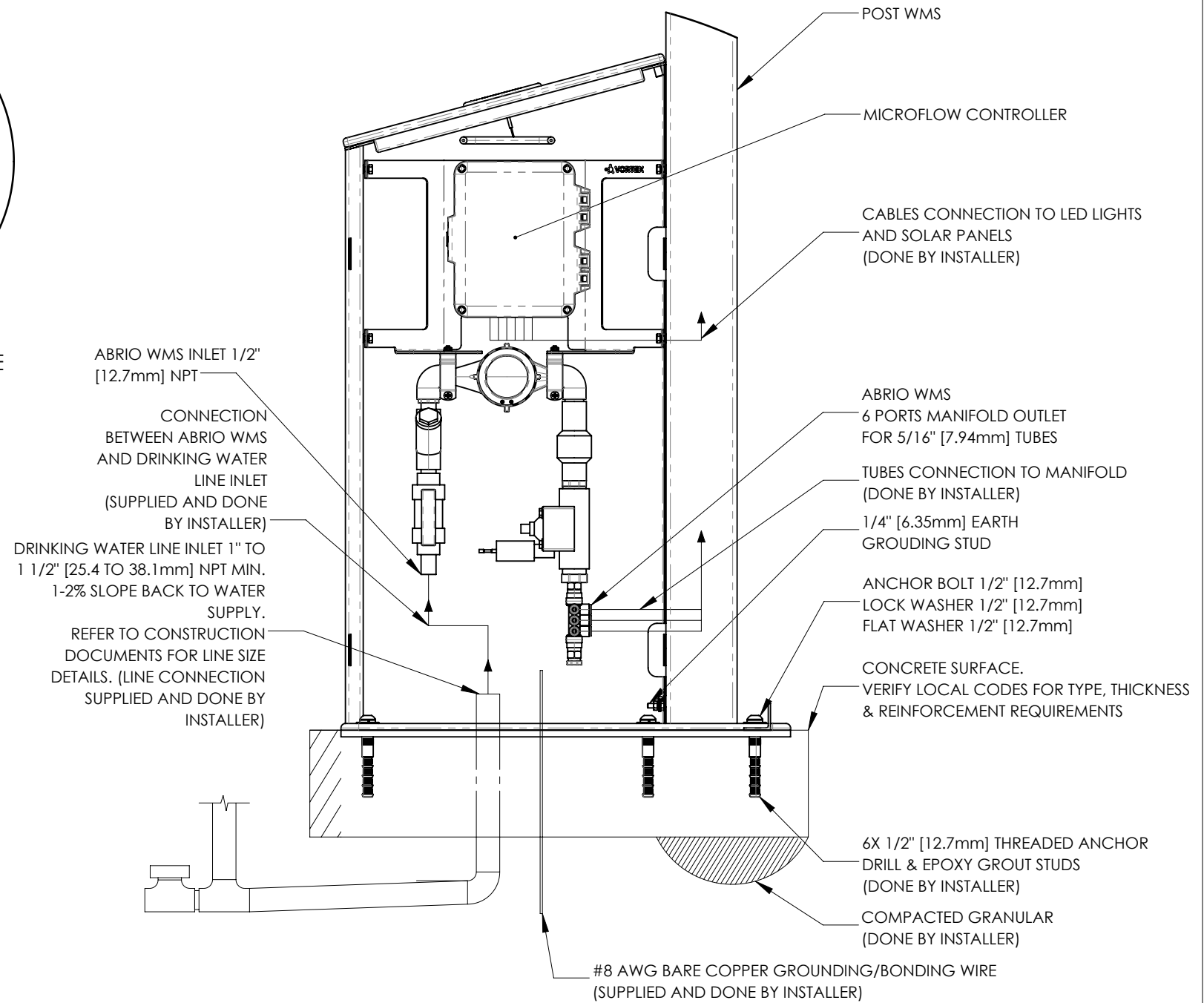


# #2

COPYRIGHT VORTEX AQUATIC STRUCTURES INTERNATIONAL-THIS DOCUMENT AND THE IDEAS, RENDERINGS AND OTHER CONTENTS CONTAINED THEREIN ARE THE SOLE PROPERTY OF VORTEX AQUATIC STRUCTURES INTERNATIONAL AND MAY NOT BE DISSEMINATED, COPIED, REPRODUCED OR OTHERWISE USED WITHOUT PRIOR WRITTEN CONSENT OF VORTEX AQUATIC STRUCTURES INTERNATIONAL.  
 CE DOCUMENT EST EN TOUT TEMPS LA PROPRIÉTÉ DE VORTEX STRUCTURES AQUATIQUES INTERNATIONALES INC. ET NE PEUT ÊTRE UTILISÉ OU REPRODUIT SANS UN CONSENTEMENT ÉCRIT DE VORTEX STRUCTURES AQUATIQUES INTERNATIONALES INC.

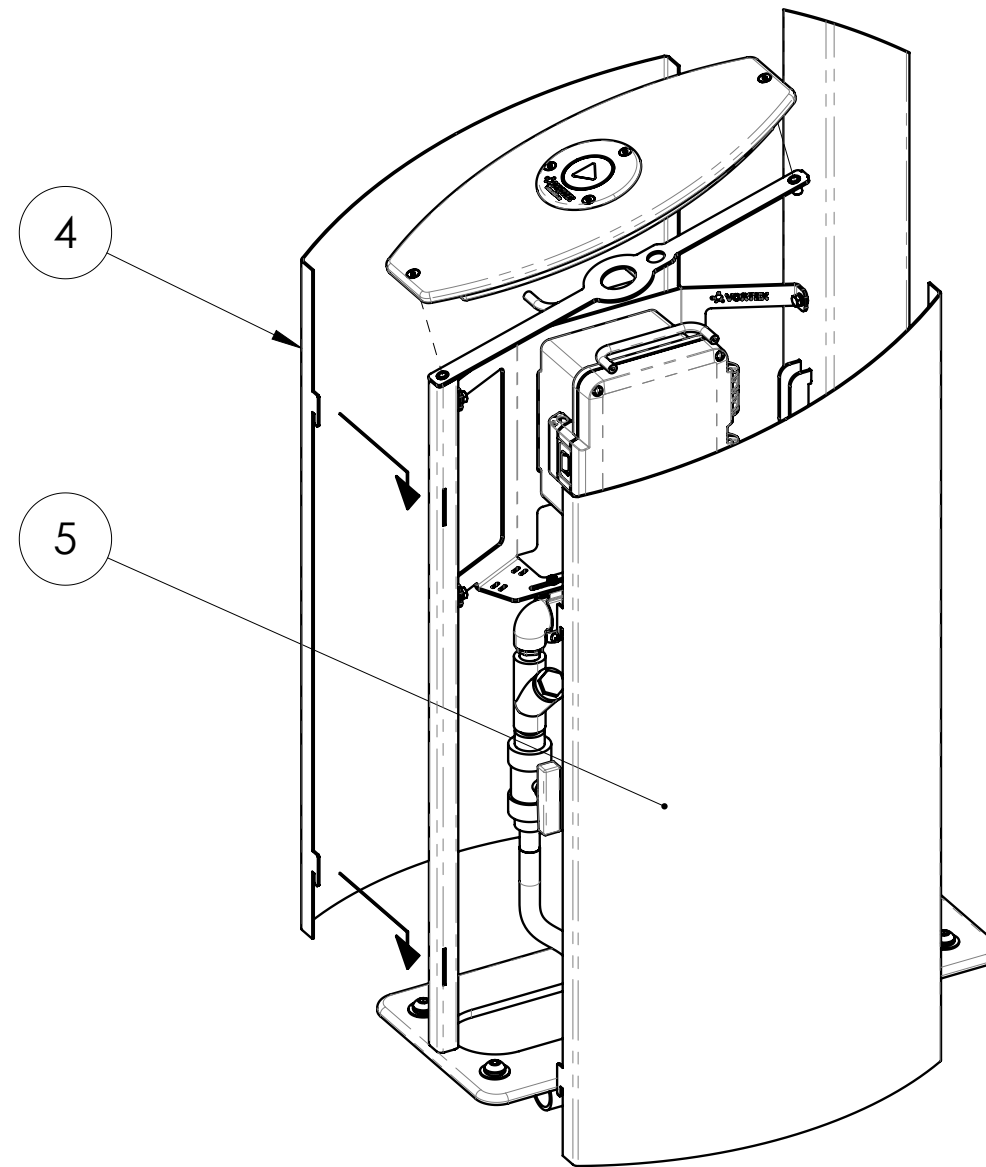
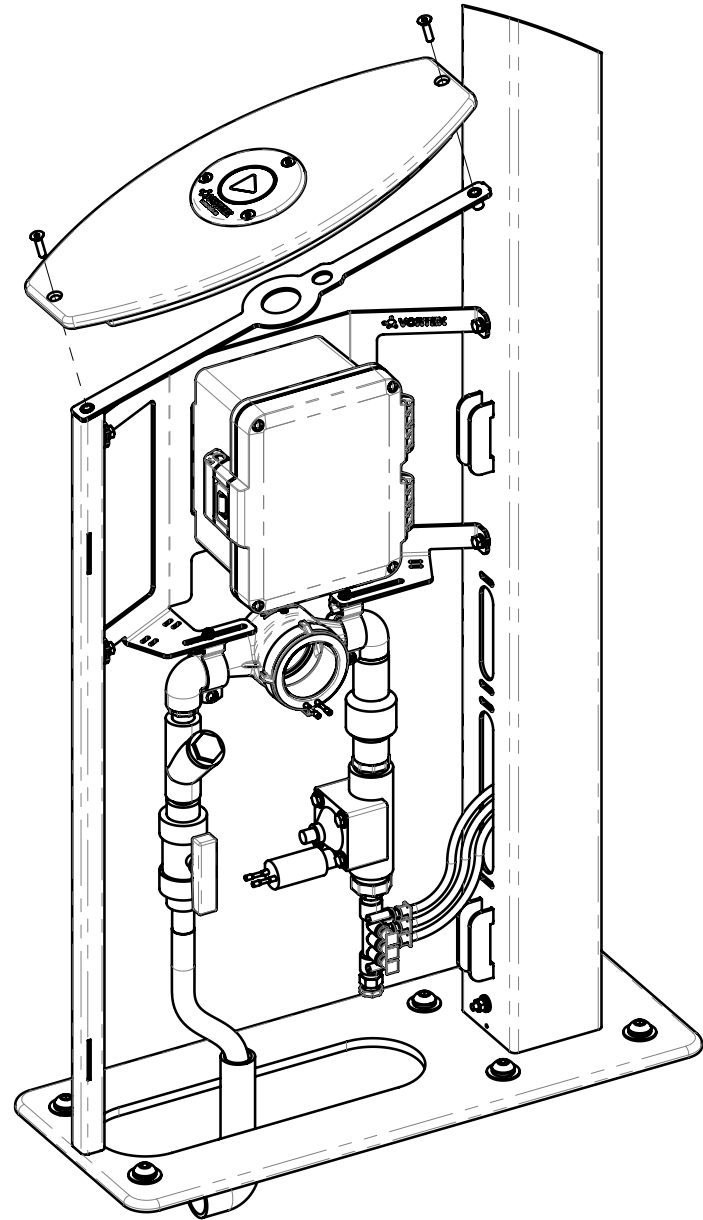


## POST WMS TYPICAL ANCHORING DETAIL



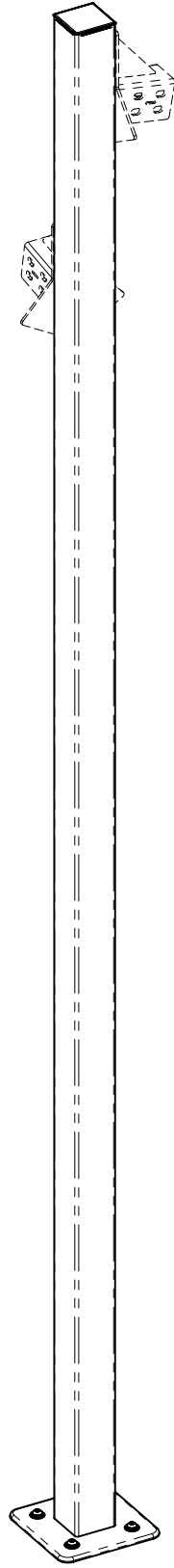
# WMS POST ASSEMBLY DETAIL

# #3 WMS SIDE PANELS INSTALLATION IS THE LAST STEP OF THE ABRIO ASSEMBLY

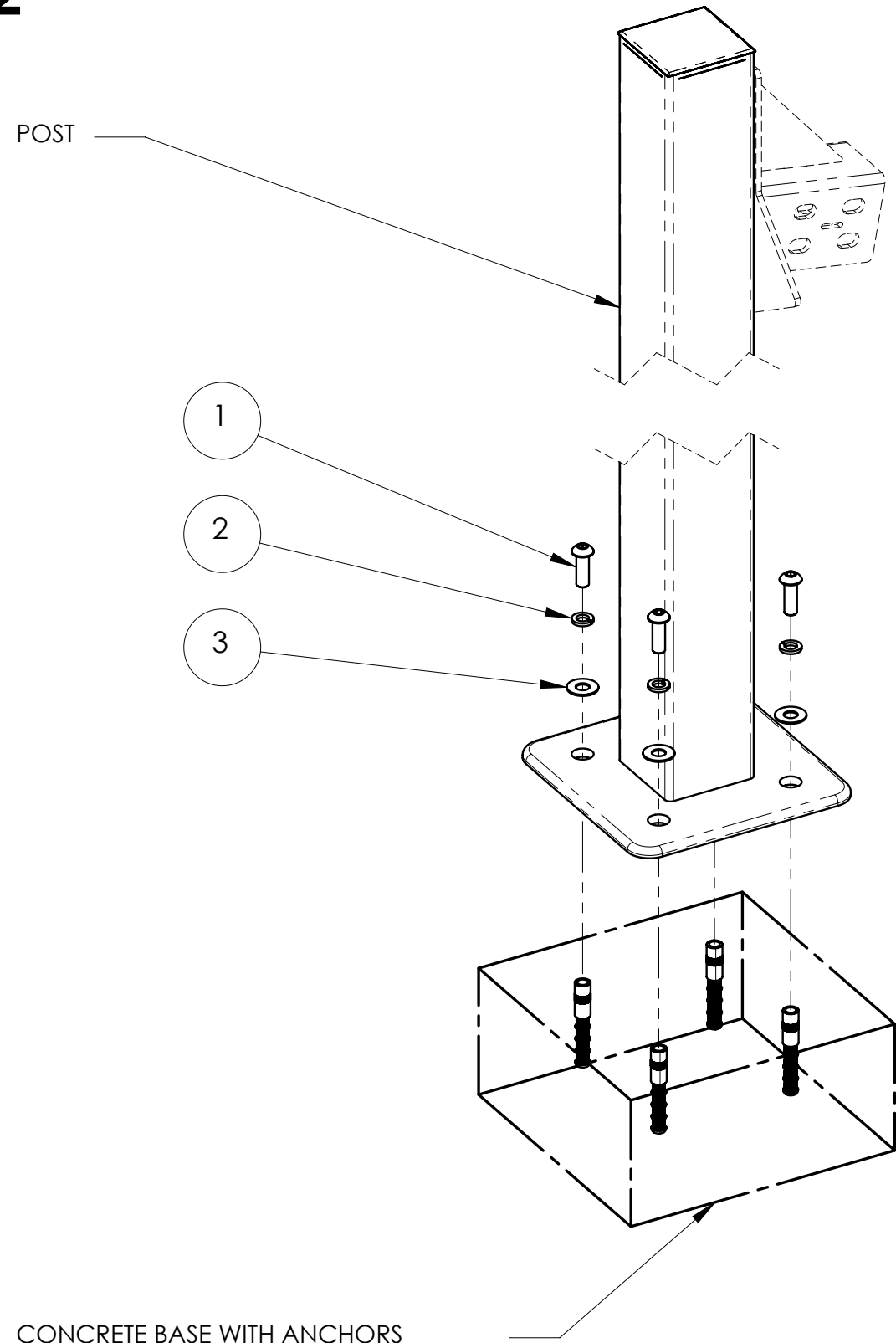


## WMS POST ASSEMBLY DETAIL

# #1



# #2

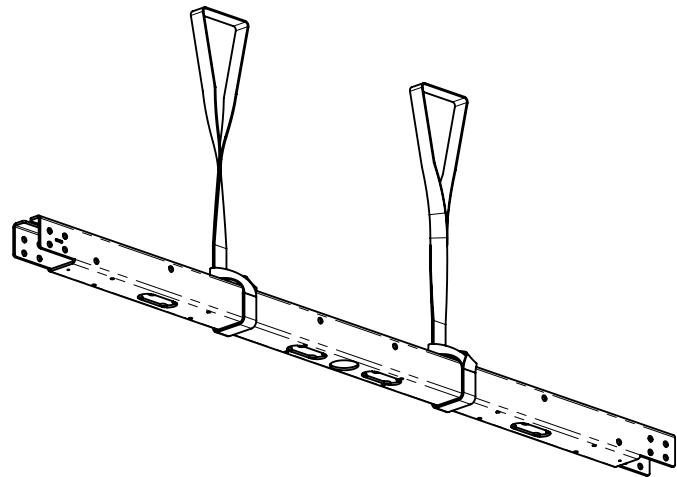


## BEAM ASSEMBLY DETAIL

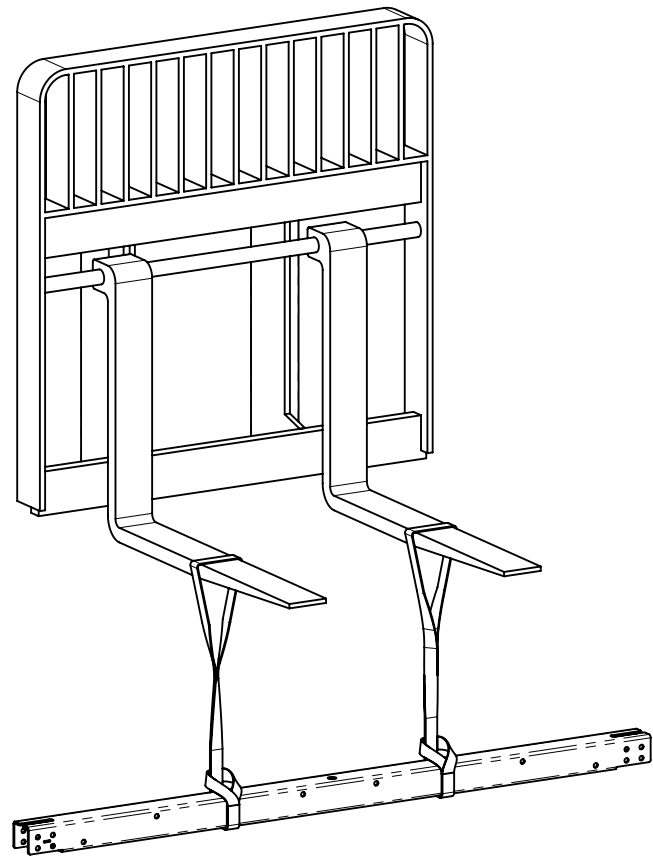
ITEM NO.	QTY.	ITEM NUMBER	DESCRIPTION
1	4	134671	BUTTON SOCKET CAP SCREW 1/2"-13 X 1 1/2" FULL THREAD ZINC PLATED
2	4	103394	SPLIT LOCK WASHER 1/2"
3	4	103867	FLAT WASHER 1/2" X 1 1/4"OD GP SMALL OD

**NOTES:**  
 HAND TIGHT THE ANCHOR HARDWARE UNTIL POSTS AND BEAMS ARE ASSEMBLED

# LIFTING METHOD

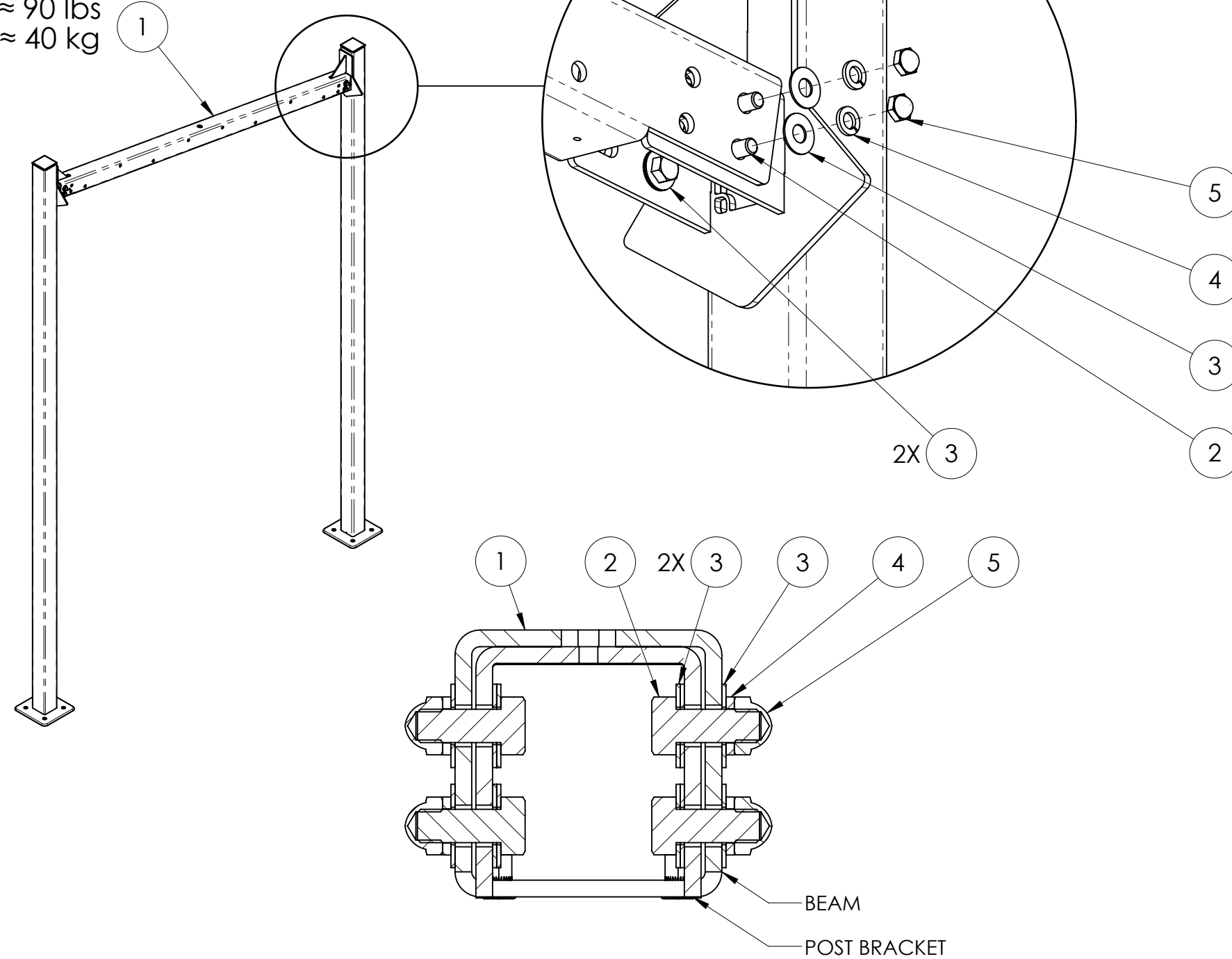


LIFT THE BEAM WITH STRAPS RATED FOR MINIMUM 200 LBS BY PASSING IT AROUND THE BEAM (AS SHOWN ABOVE)



USE FORKLIFT AND STRAPS TO LIFT THE BEAM (STRAP NOT INCLUDED)

≈ 90 lbs  
≈ 40 kg



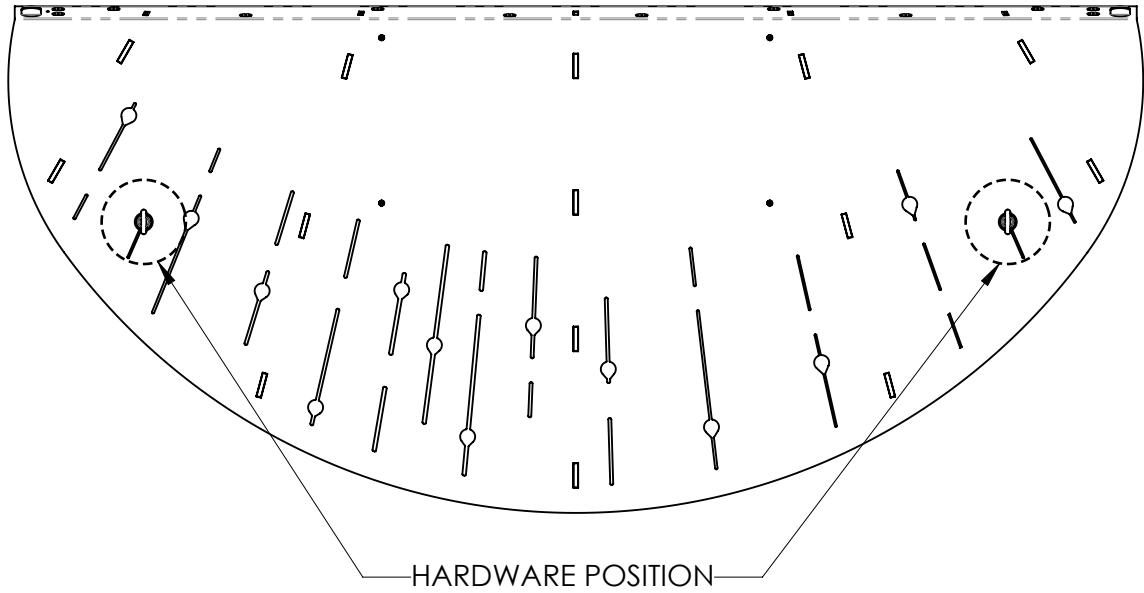
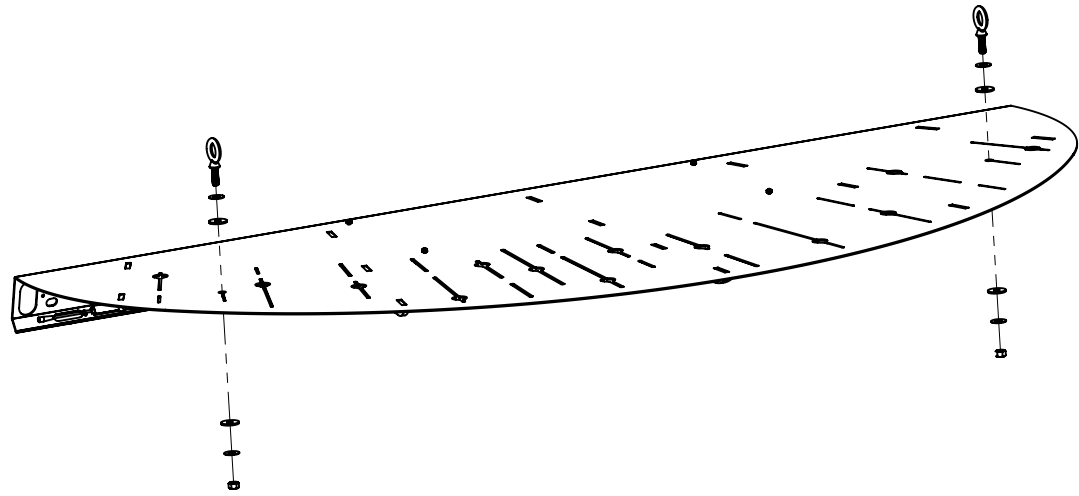
## CRITICAL NOTE

USE ANTI-SEIZE ON ALL STAINLESS STEEL THREADS.

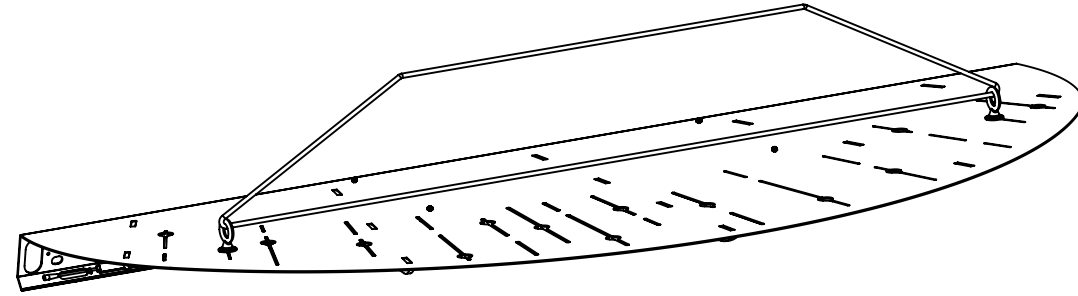
# BEAM ASSEMBLY DETAIL

ITEM NO.	QTY.	ITEM NUMBER	DESCRIPTION
1	1	134231	ABRIO_CANOPY_BEAM_ASSEMBLY
2	8	104788	HEX BOLT 1/2"-13 X 1 1/4" FULL THREAD
3	24	103867	FLAT WASHER 1/2" X 1 1/4"OD GP SMALL OD
4	8	103394	SPLIT LOCK WASHER 1/2"
5	8	134530	CAP NUT 1/2"-13 LOW PROFILE

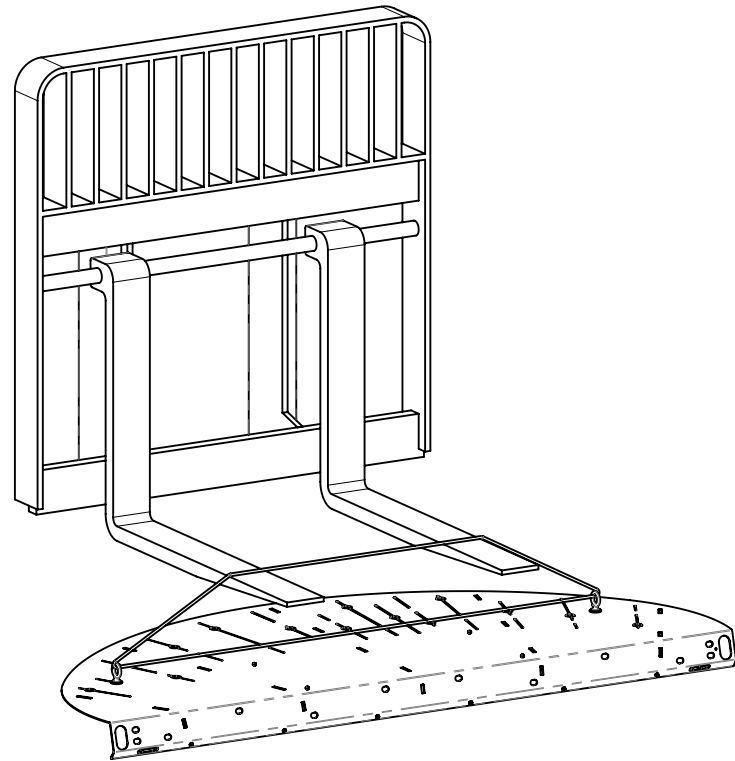
# #1



# #2



STRAP THE CANOPY WITH CABLE RATED FOR MIN 200 LBS BY PASSING IT THROUGH THE EYEBOLT ON THE CANOPY (STRAP NOT INCLUDED)



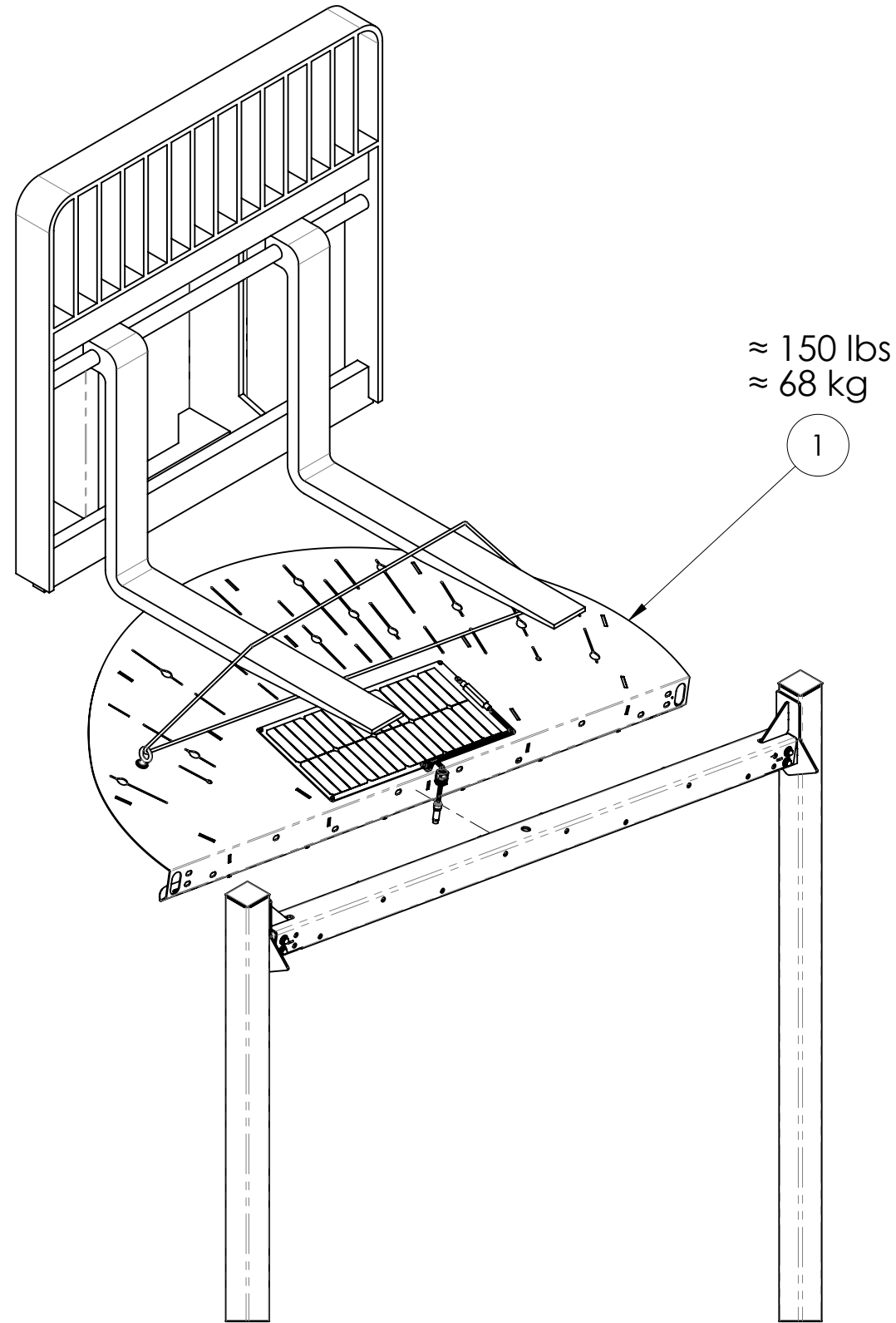
USE FORKLIFT AND STRAP TO LIFT THE CANOPIES

ITEM NO.	QTY.	ITEM NUMBER	DESCRIPTION
2	4	103739	GASKET 1 1/2"OD X 1/2"ID X 1/8"TH
3	4	103867	FLAT WASHER 1/2" X 1 1/4"OD GP SMALL OD
4	2	102455	STEEL EYEBOLT WITH SHOULDER FOR LIFTING, 1/2"-13 TH
5	2	100957	HEX NUT 1/2"-13

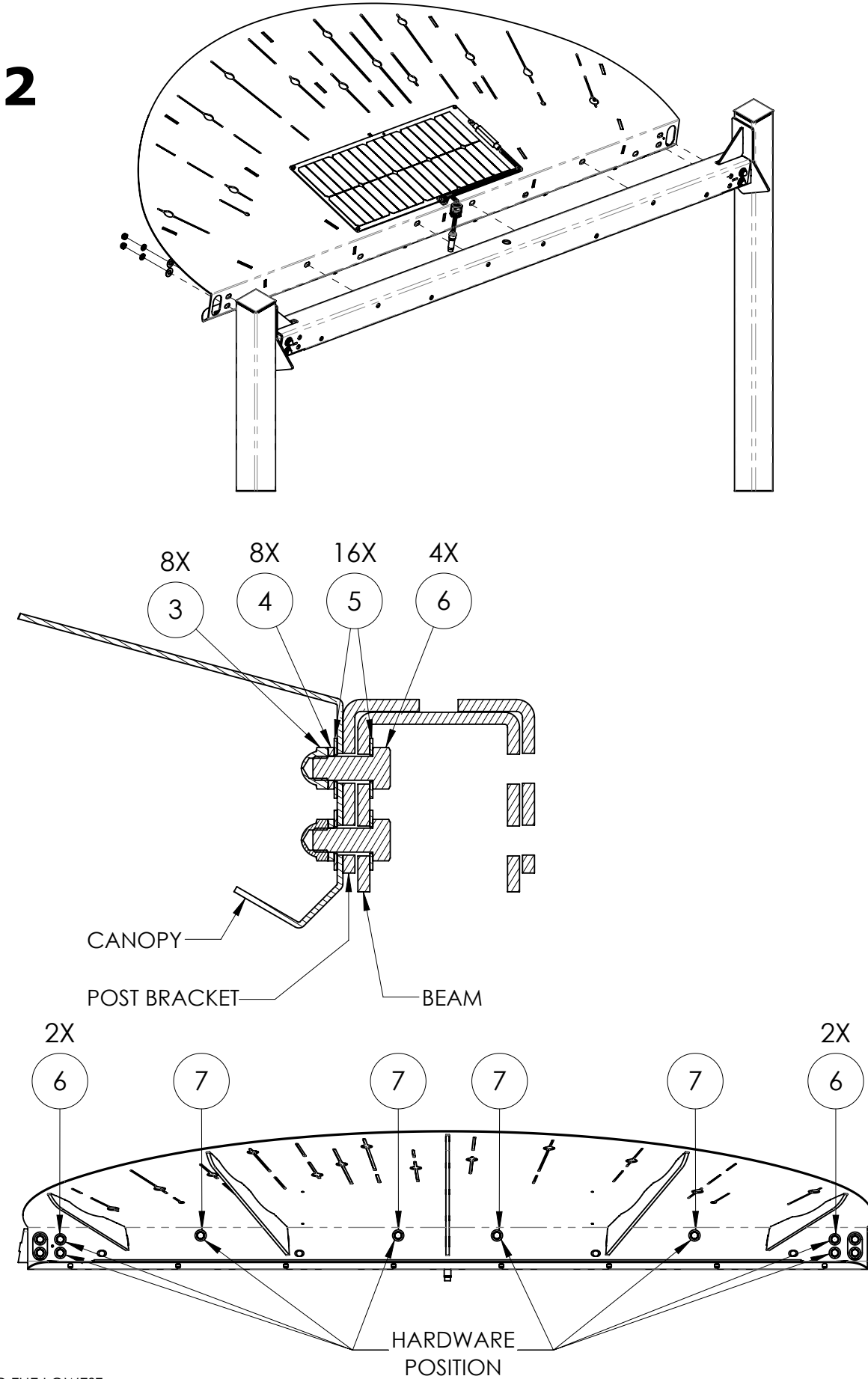
**NOTES:**  
REMOVE LIFTING HARDWARE ONCE THE CANOPY ASSEMBLY IS DONE

## CANOPY LIFTING METHOD

#1



#2



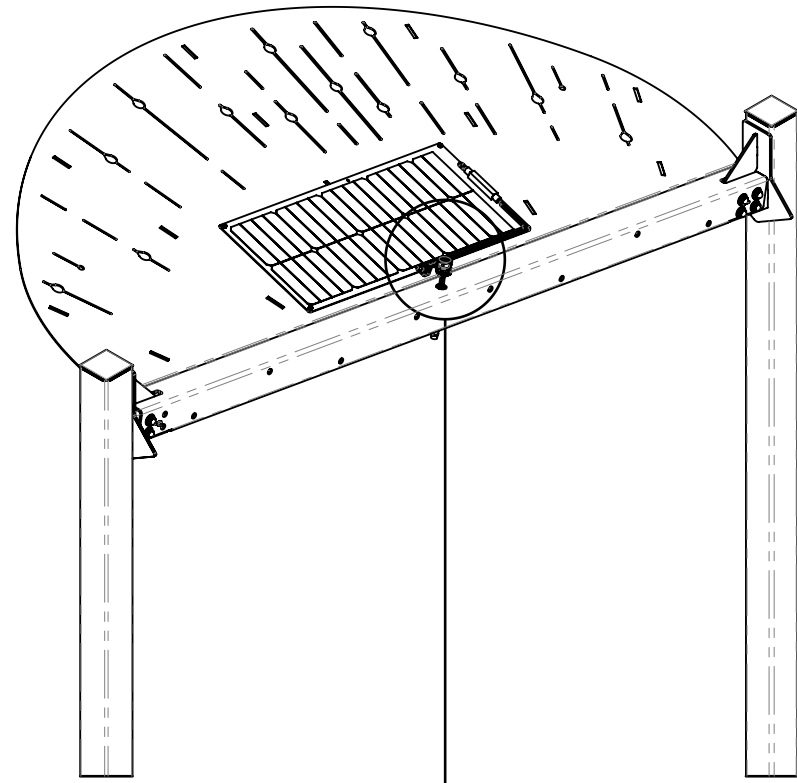
ITEM NO.	QTY.	ITEM NUMBER	DESCRIPTION
1	1	135036	ABRIO_CANOPY_DESIGN PATTERN 01_SOLAR & LED ASSEMBLY
2	1	134208	ABRIO_CANOPY_DESIGN PATTERN 01_LED ASSEMBLY
3	20	134530	CAP NUT 1/2"-13 LOW PROFILE
4	20	103394	SPLIT LOCK WASHER 1/2"
5	40	103867	FLAT WASHER 1/2" X 1 1/4"OD GP SMALL OD
6	8	104788	HEX BOLT 1/2"-13 X 1 1/4" FULL THREAD
7	8	135025	HEX BOLT 1/2"-13 X 1" FULL THREAD
8	4	134529	HEX BOLT 1/2"-13 X 4 3/4" PARTIAL THREAD
9	2	130681	HEX HEAD TAPPING SCREW 1/4"-14 X 1" FULL THREAD STAINLESS STEEL 410

**NOTES:**

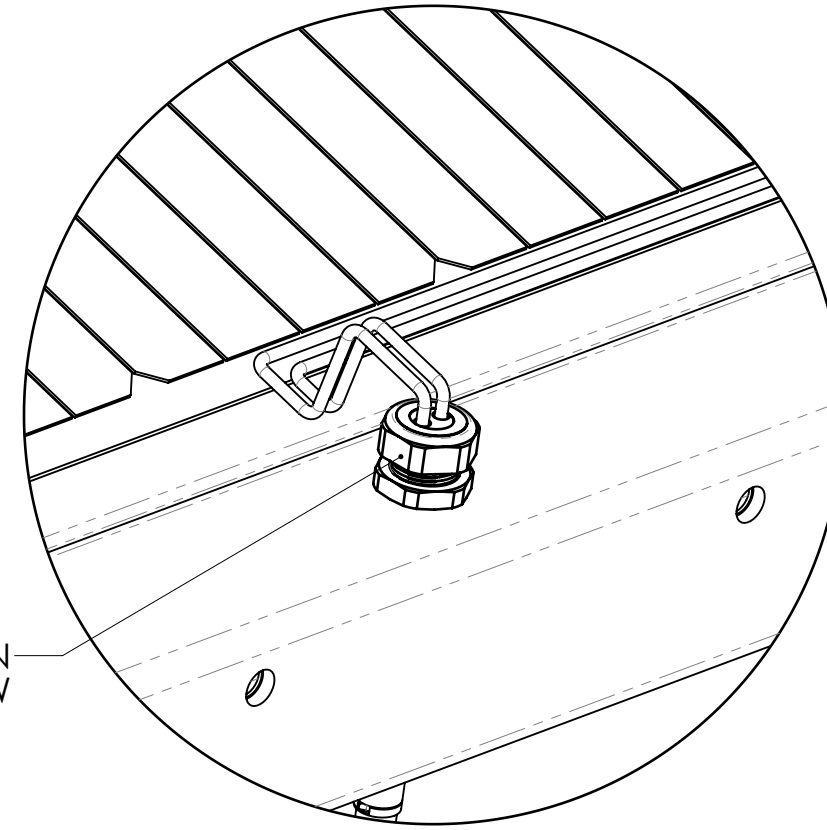
ALWAYS START ASSEMBLING THE CANOPY BY THE HIGHEST ONE TO THE LOWEST;  
 USE FORK LIFT TO ASSEMBLE BOTH CANOPIES;  
 CANOPIES WITH SOLAR PANEL MUST BE INSTALLED TOWARDS THE SUN (SOLAR PANEL FACING SOUTH IN NORTH HEMISPHERE / FACING SOUTH IN SOUTH HEMISPHERE);  
 AVOID SHADOW AND OBSTRUCTED AREAS

**CANOPY ASSEMBLY DETAIL**

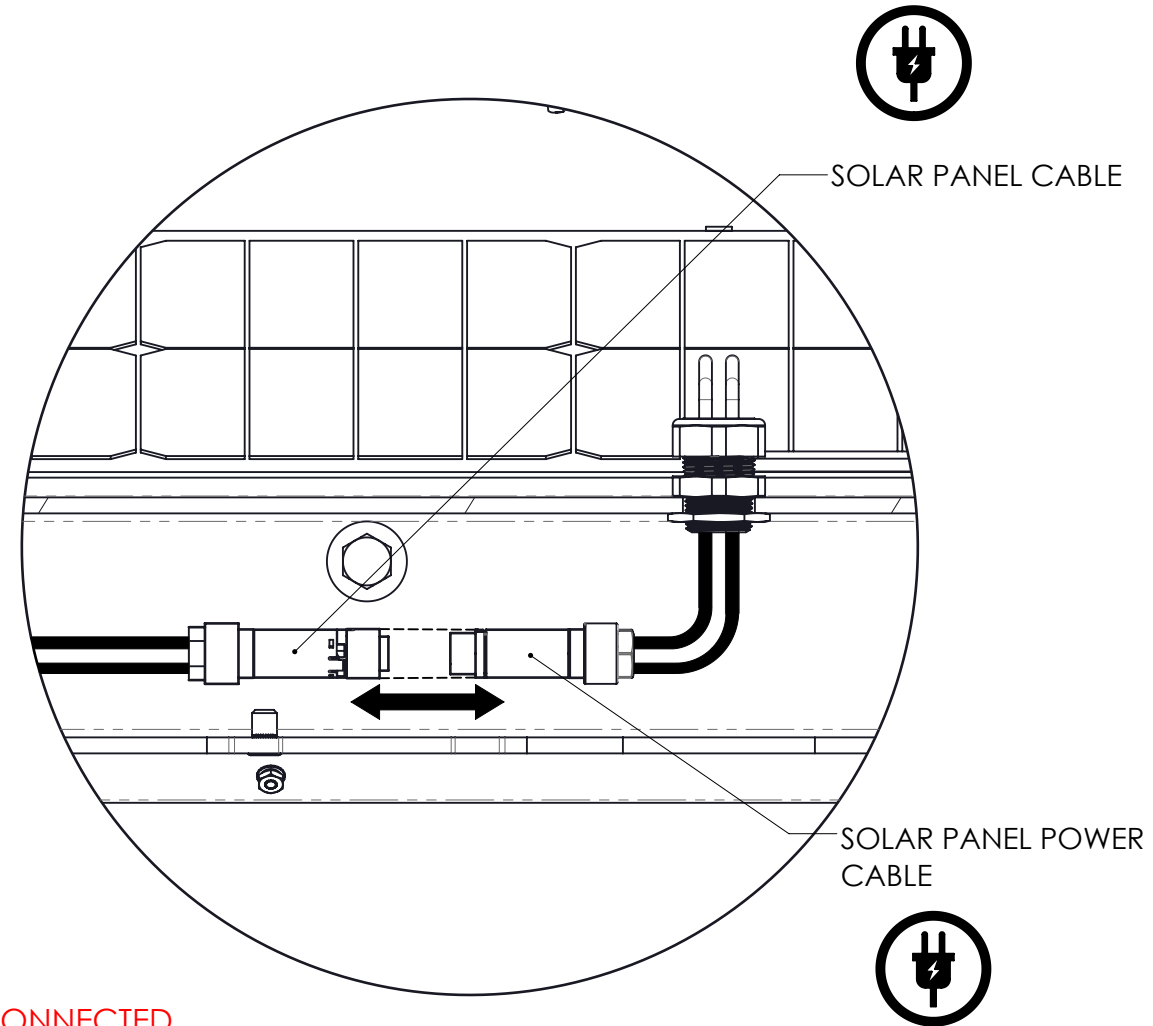
#3



#4



#5



SCREW

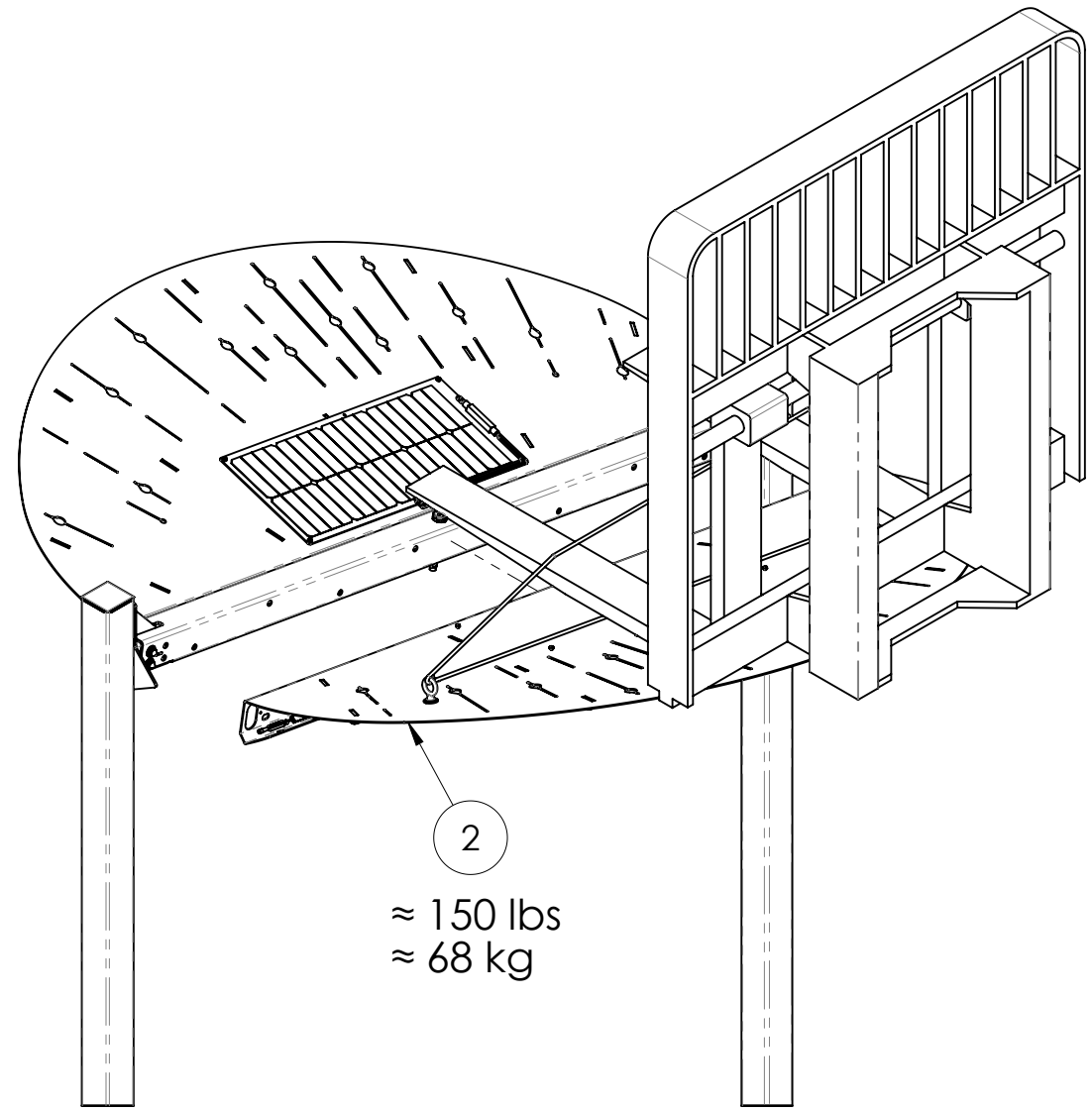
NUT

SOLAR PANEL CABLE

SOLAR PANEL POWER CABLE

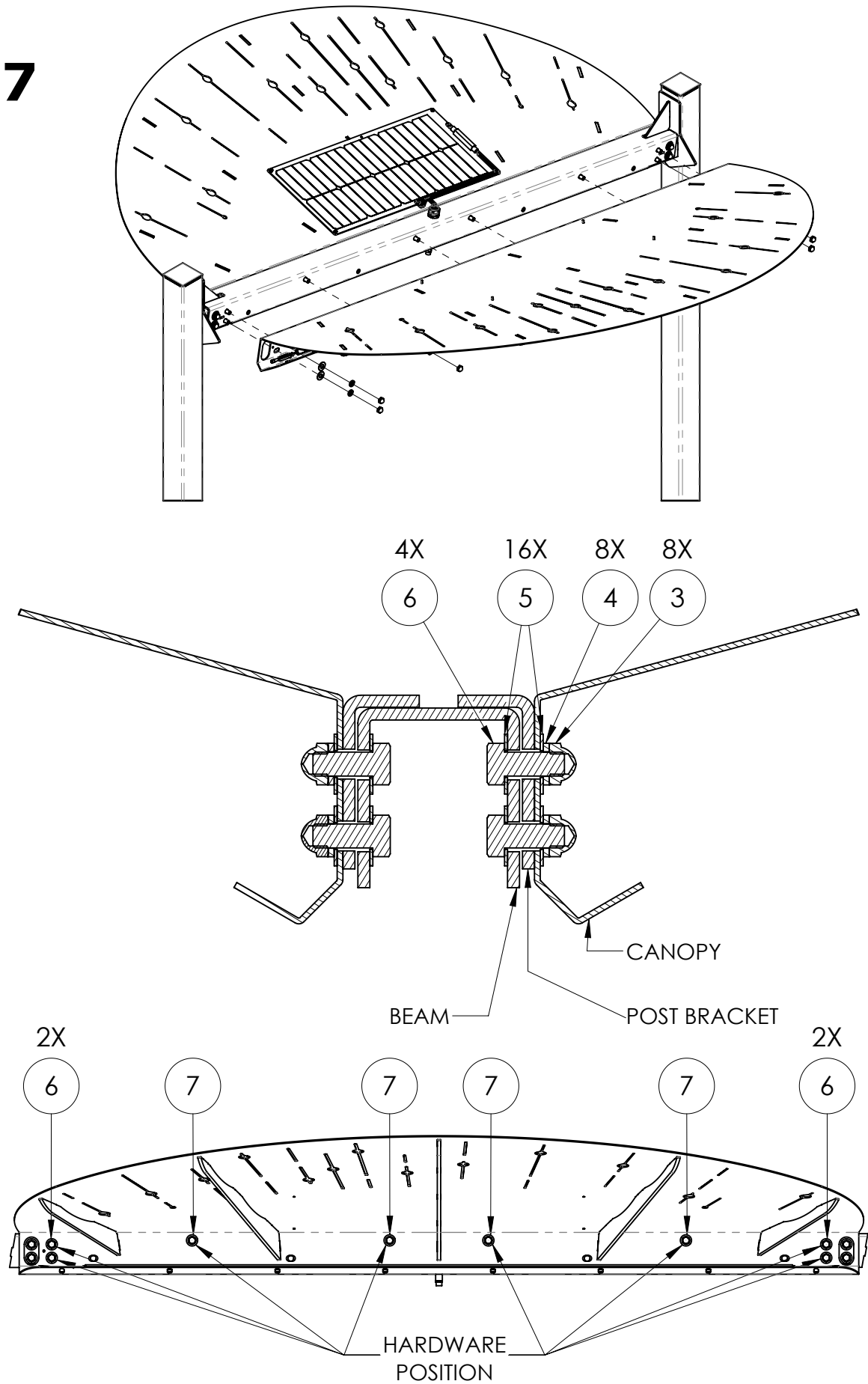
**CRITICAL STEP**  
 MAKE SURE ALL SOLAR PANEL CABLES ARE CONNECTED  
 ONE CONNECTION PER CANOPY

**#6** REPEAT STEPS #1 AND #2 FROM CANOPY LIFTING METHOD TO STRAP NEXT CANOPY



2  
 ≈ 150 lbs  
 ≈ 68 kg

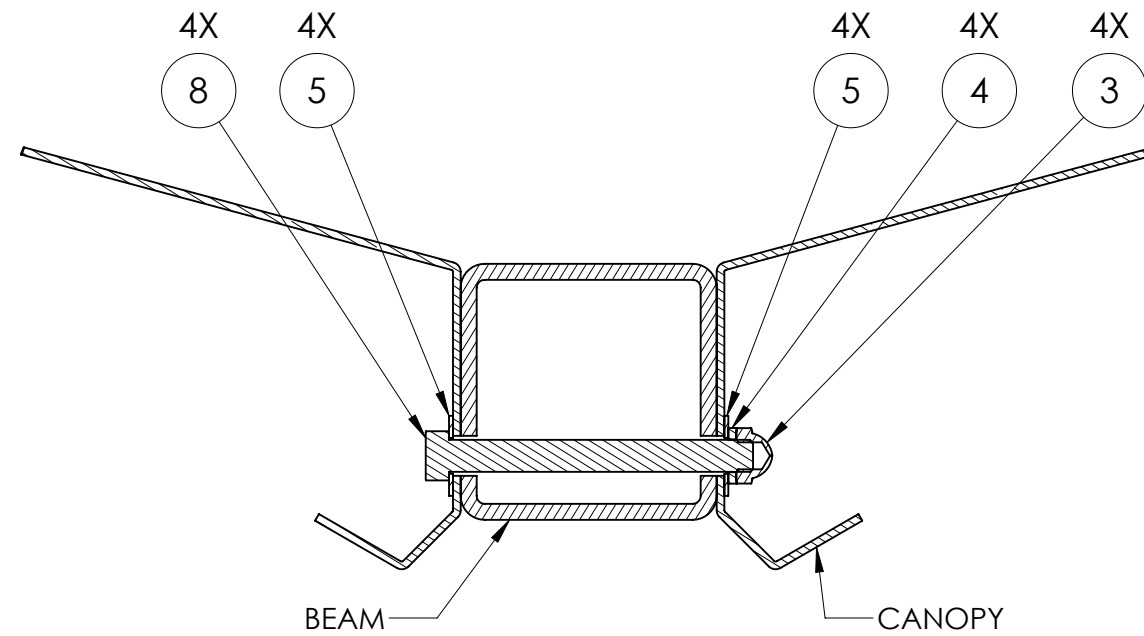
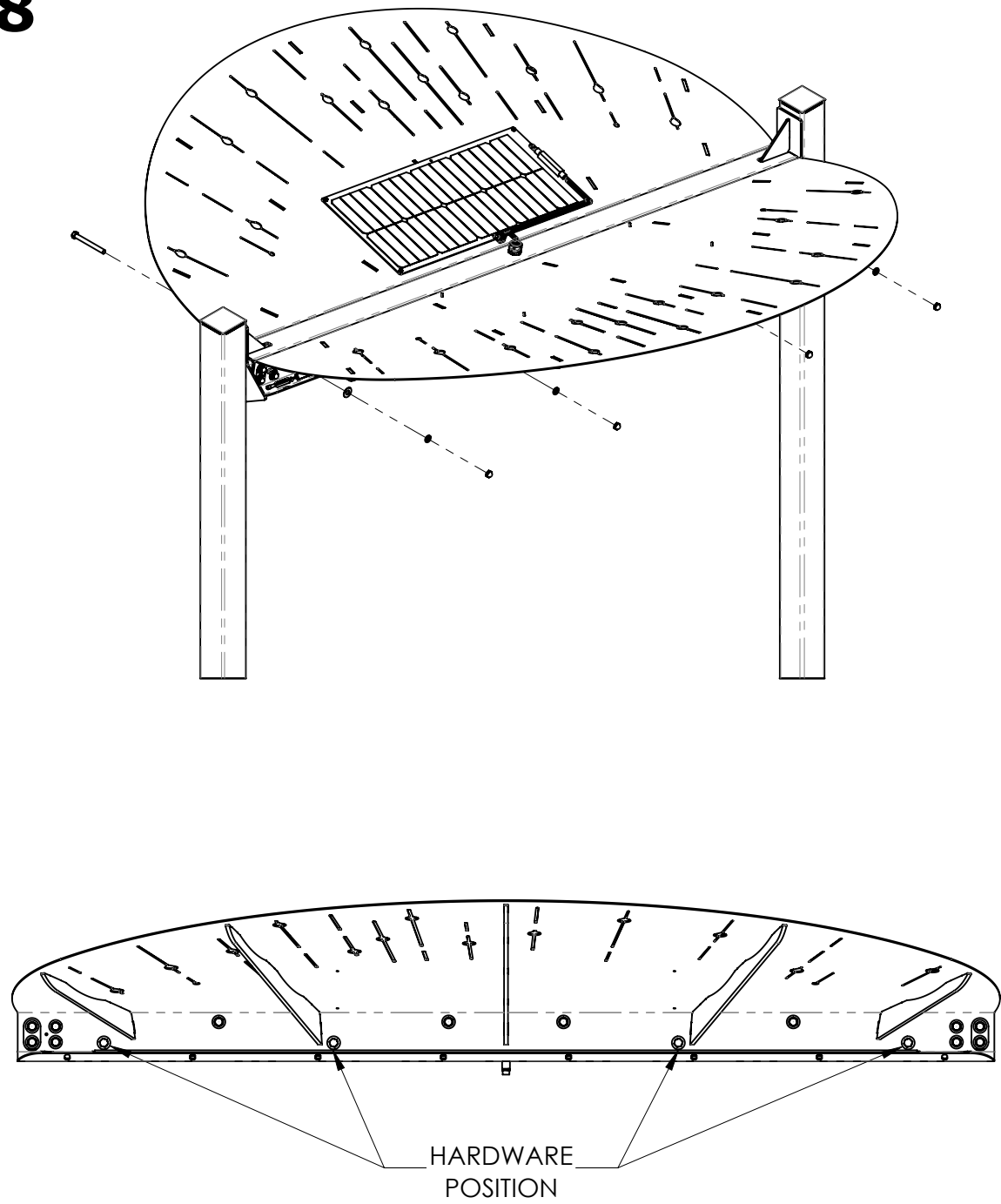
**#7**



**CANOPY ASSEMBLY DETAIL**

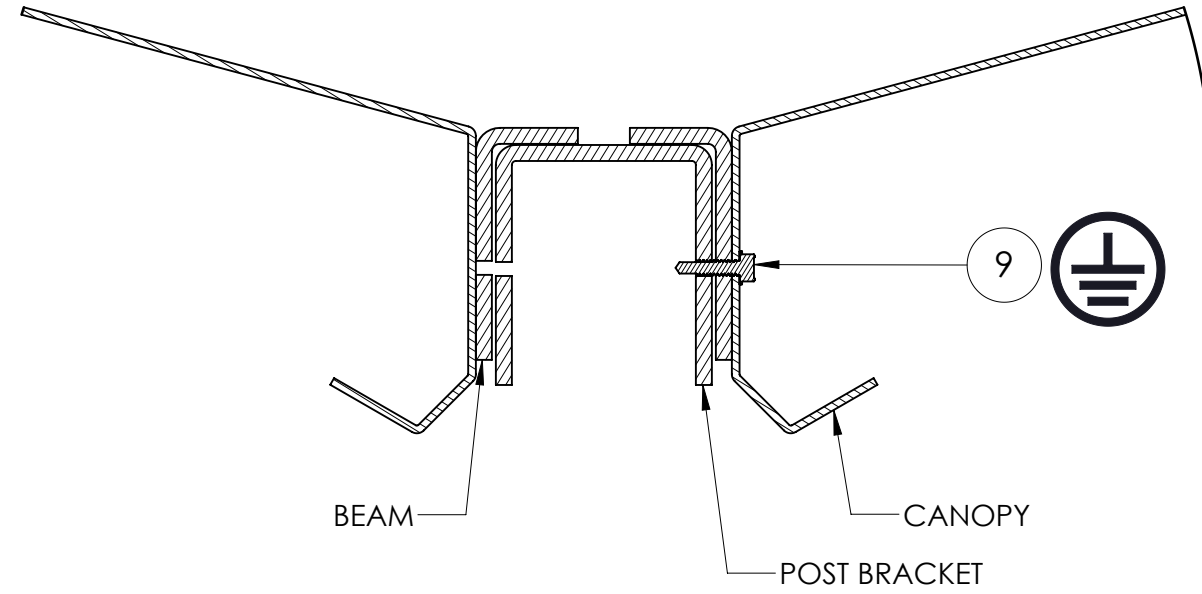
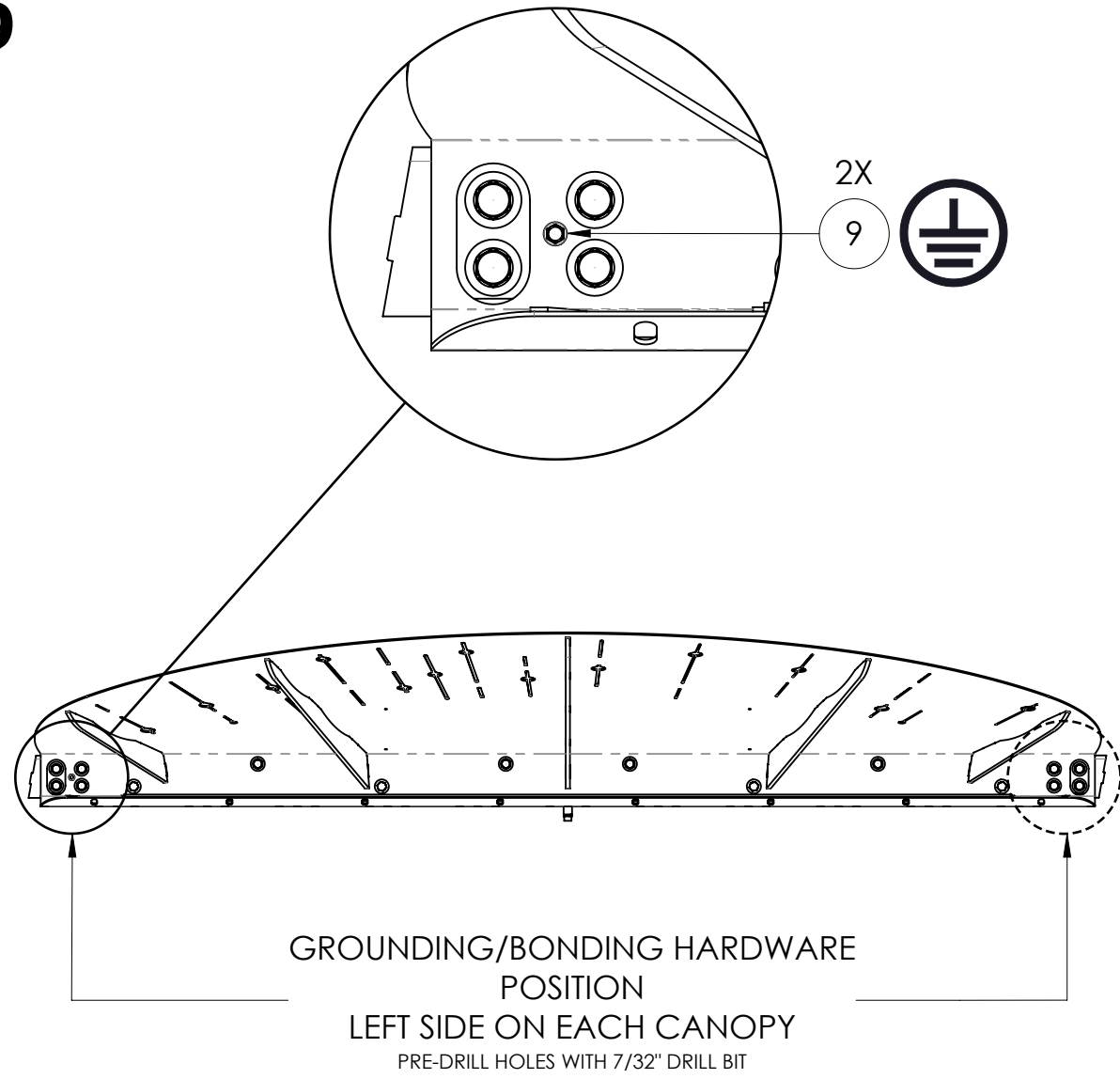


#8



**CANOPY ASSEMBLY DETAIL**

#9



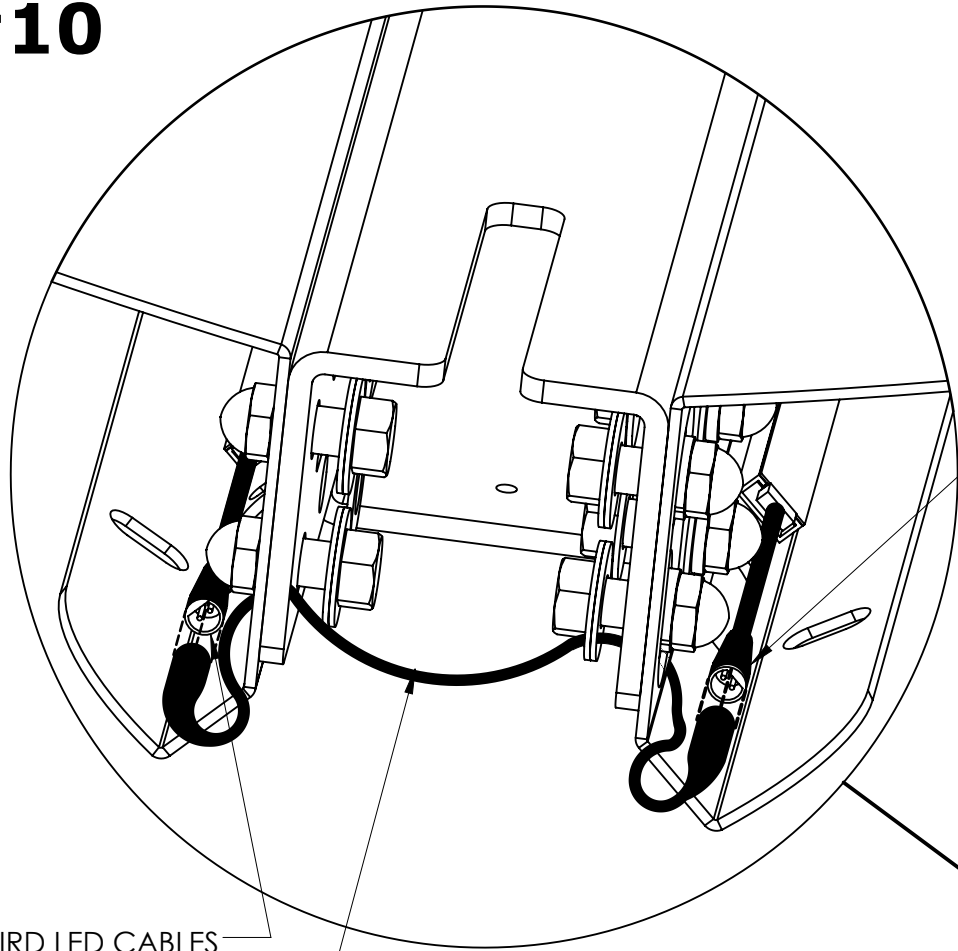
**CANOPY ASSEMBLY DETAIL**

#10



**CRITICAL STEP**  
MAKE SURE PROPER ALL LED CABLES ARE CONNECTED  
REPEAT STEPS FOR EACH CANOPY

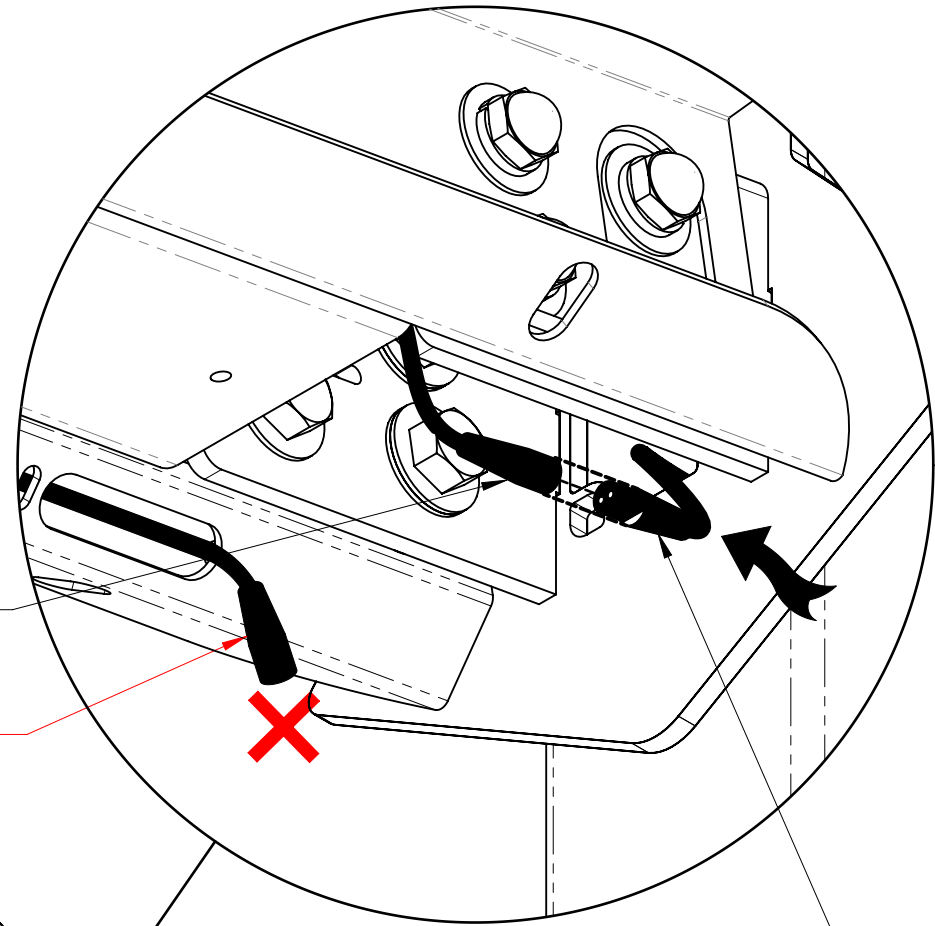
COPYRIGHT VORTEX AQUATIC STRUCTURES INTERNATIONAL-THIS DOCUMENT AND THE IDEAS, RENDERINGS AND OTHER CONTENTS CONTAINED THEREIN ARE THE SOLE PROPERTY OF VORTEX AQUATIC STRUCTURES INTERNATIONAL AND MAY NOT BE DISSEMINATED, COPIED, REPRODUCED OR OTHERWISE USED WITHOUT PRIOR WRITTEN CONSENT OF VORTEX AQUATIC STRUCTURES INTERNATIONAL.  
CE DOCUMENT EST EN TOUT TEMPS LA PROPRIÉTÉ DE VORTEX STRUCTURES AQUATIQUES INTERNATIONALES INC. ET NE PEUT ÊTRE UTILISÉ OU REPRODUIT SANS UN CONSENTEMENT ÉCRIT DE VORTEX STRUCTURES AQUATIQUES INTERNATIONALES INC.



SECOND LED CABLES  
PASS THROUGH THE OBLONG  
OF THE CANOPY

THIRD LED CABLES  
PASS THROUGH THE OBLONG  
OF THE CANOPY

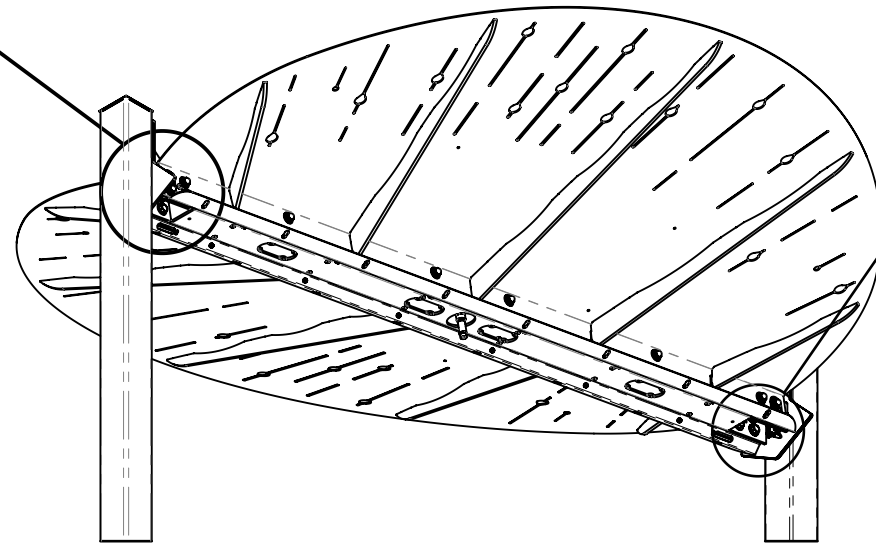
JUMPER CABLE  
PASS THROUGH THE OBLONG  
OF THE CANOPY TO CONNECT  
THE SECOND AND THIRD LED CABLE **140662**  
FLEXIBLE LED STRIP CABLE 24IN WITH  
MALE CONNECTORS AT EACH END



FIRST LED CABLES  
PASS THROUGH THE OBLONG  
OF THE CANOPY

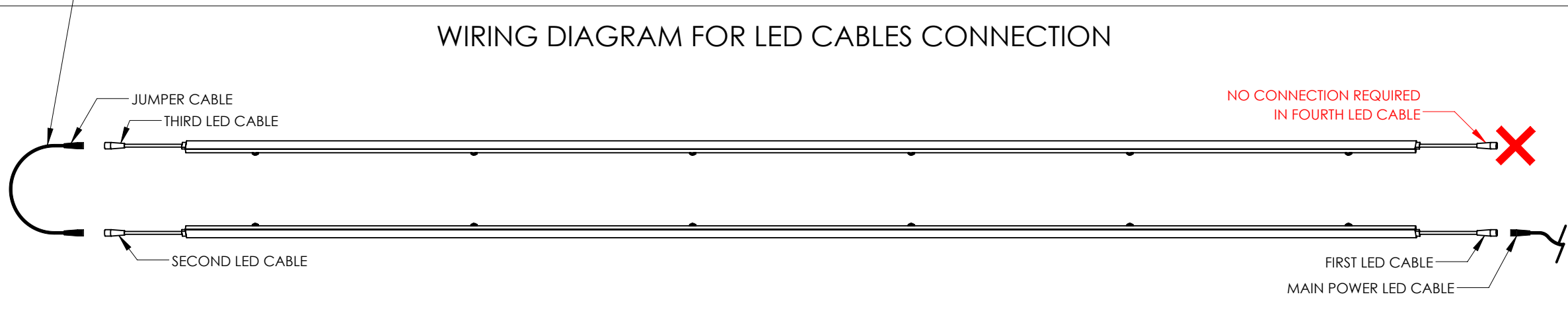
NO CONNECTION REQUIRED  
IN FOURTH LED CABLES

MAIN POWER LED CABLE  
RUNS UP THROUGH THE WMS POST

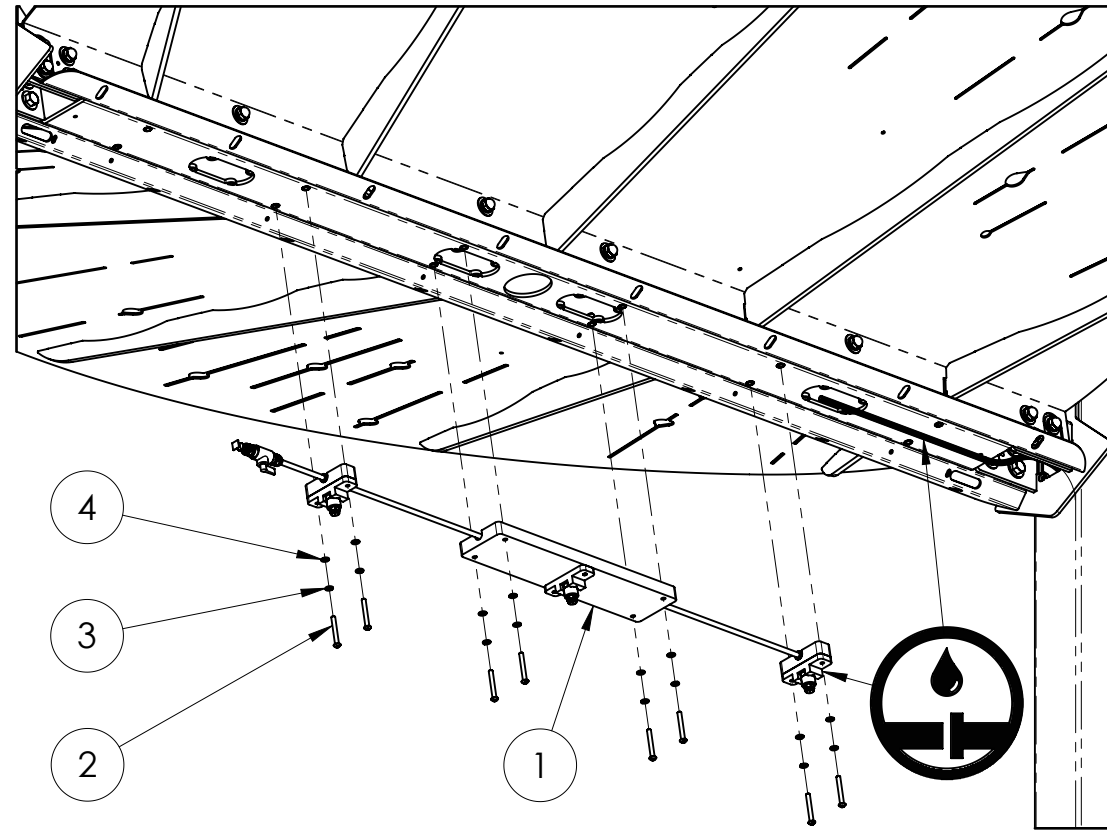


**CANOPY ASSEMBLY DETAIL**

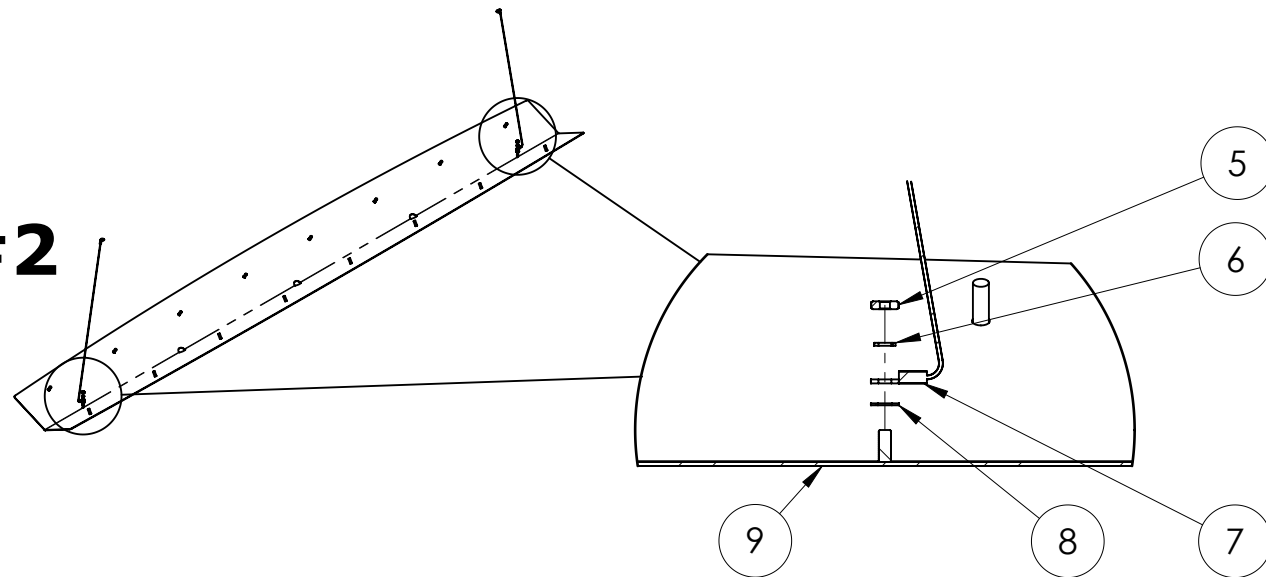
WIRING DIAGRAM FOR LED CABLES CONNECTION



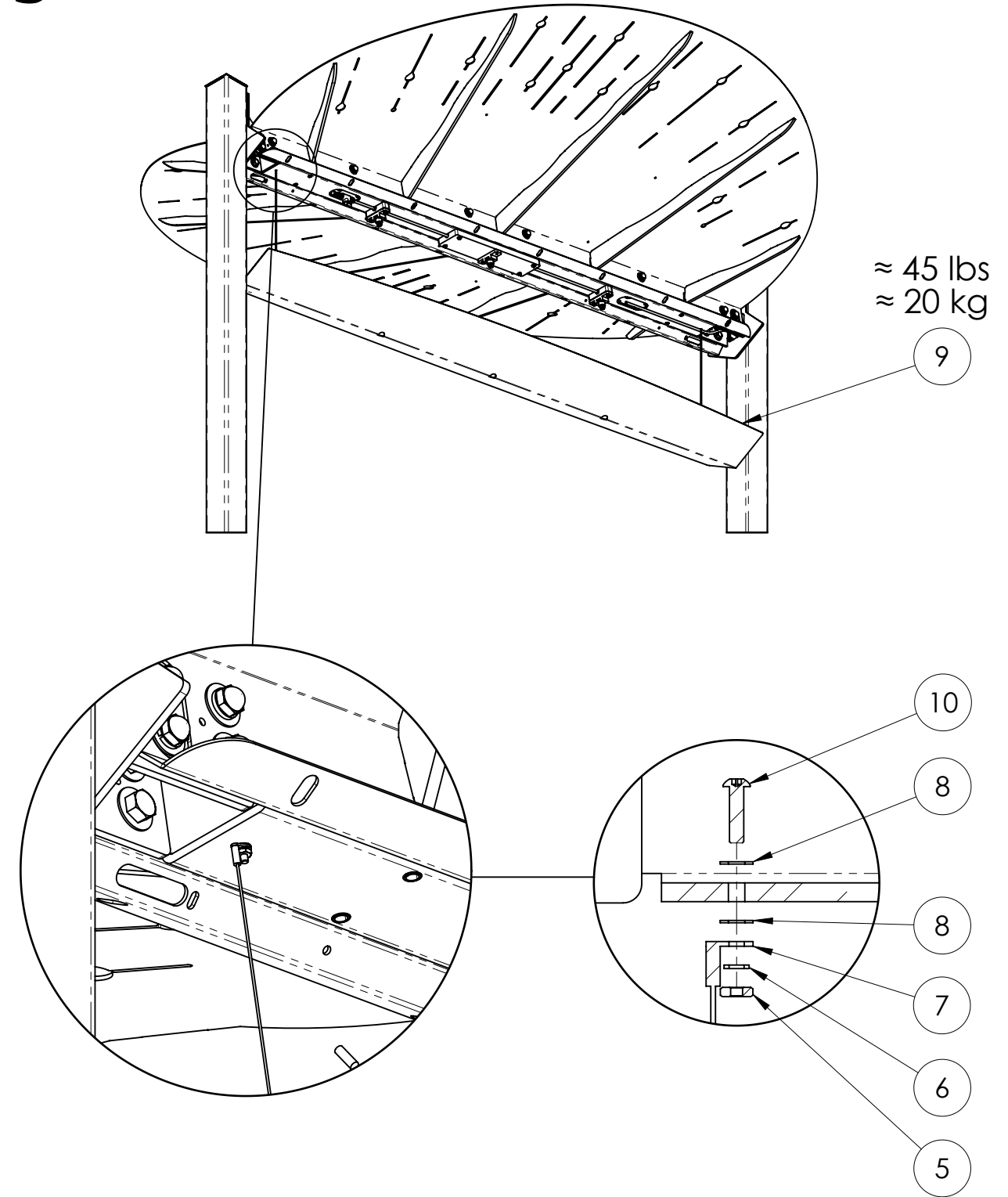
#1



#2



#3



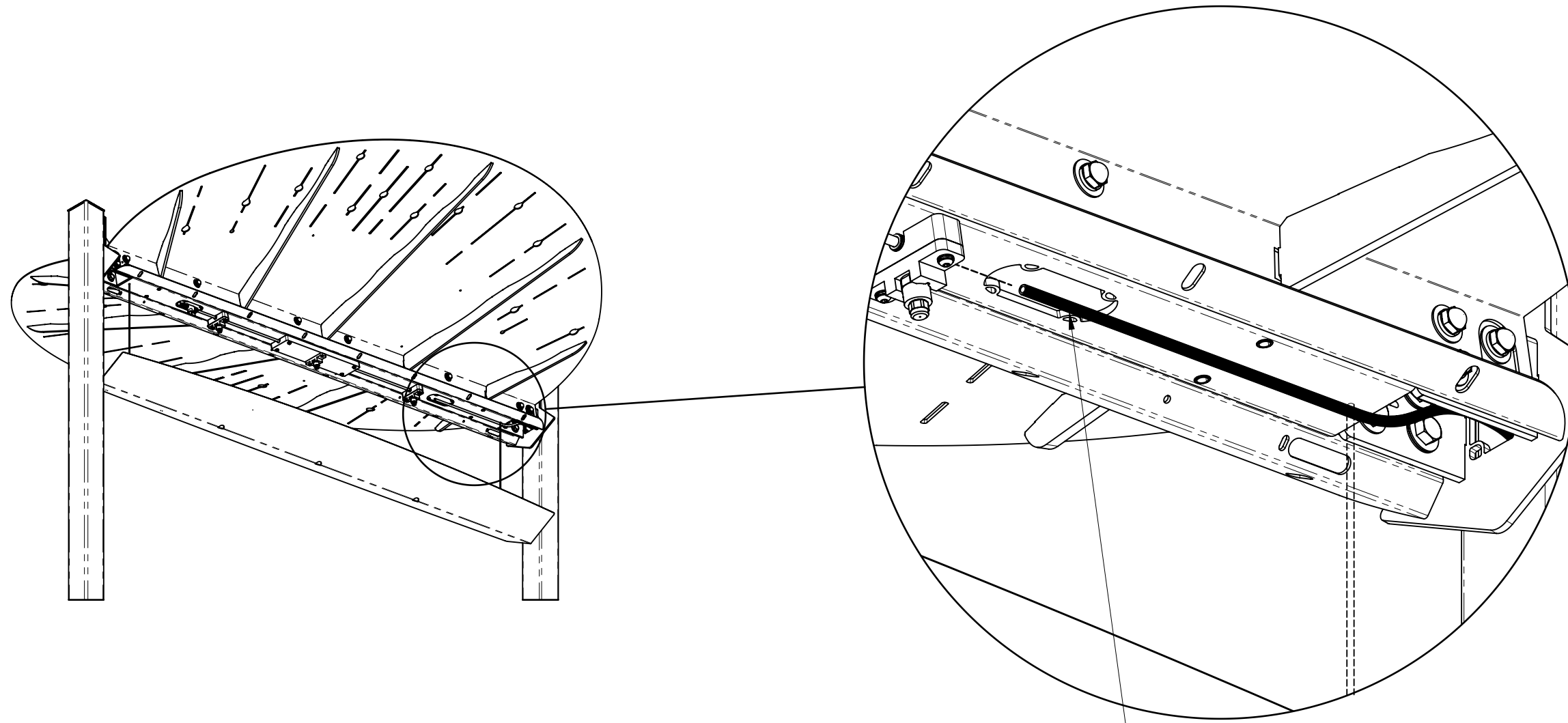
ITEM NO.	QTY.	ITEM NUMBER	DESCRIPTION
1	1	134791	ABRIO_MIST_WMS ASSEMBLY
2	8	104245	BUTTON SOCKET CAP SCREW 1/4"-20 X 2" FULL THREAD
3	8	103395	SPLIT LOCK WASHER 1/4"
4	8	103864	FLAT WASHER 1/4" X 1/2"OD GP SMALL OD
5	4	104943	HEX NUT #10-32
6	4	103398	SPLIT LOCK WASHER #10
7	2	134511	CABLE LANYARD, EYE-TO-90 DEGREE-EYE, 1/16" DIA, 24" LG, NYLON COATING
8	6	104806	FLAT WASHER #10 X 7/16"OD GP SMALL OD
9	1	134812	ABRIO_MIST_COVER_PAINTING
10	2	100610	SECURITY BUTTON CAP SCREW #10-32 X 3/4"

**NOTES:**  
 MIST WMS ④ MUST ALWAYS BE INSTALL WITH THE ELBOW ON THE LOWER SIDE OF THE BEAM  
 PRE ASSEMBLE THE MIST COVER WITH ITS SECURITY CABLES;  
 REFER TO AQUATIC CONNECTIONS TO PLUG THE FEATURE WITH WATER TUBING

**MIST ASSEMBLY DETAIL**

#4

**CRITICAL STEP**  
MAKE SURE WATER TUBE IS FERMLY CONNECTED



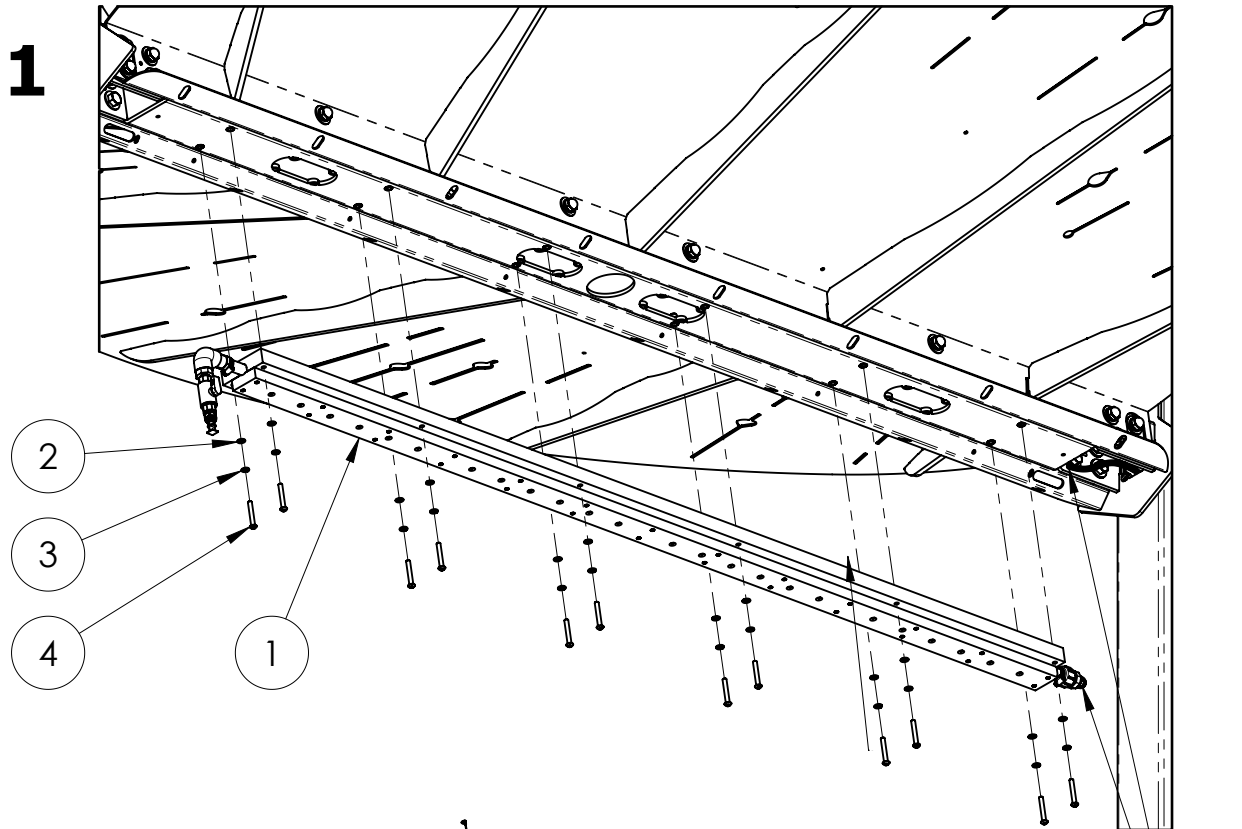
WATER CONNECTION  
CUT EXCESS TUBING IF NEEDED



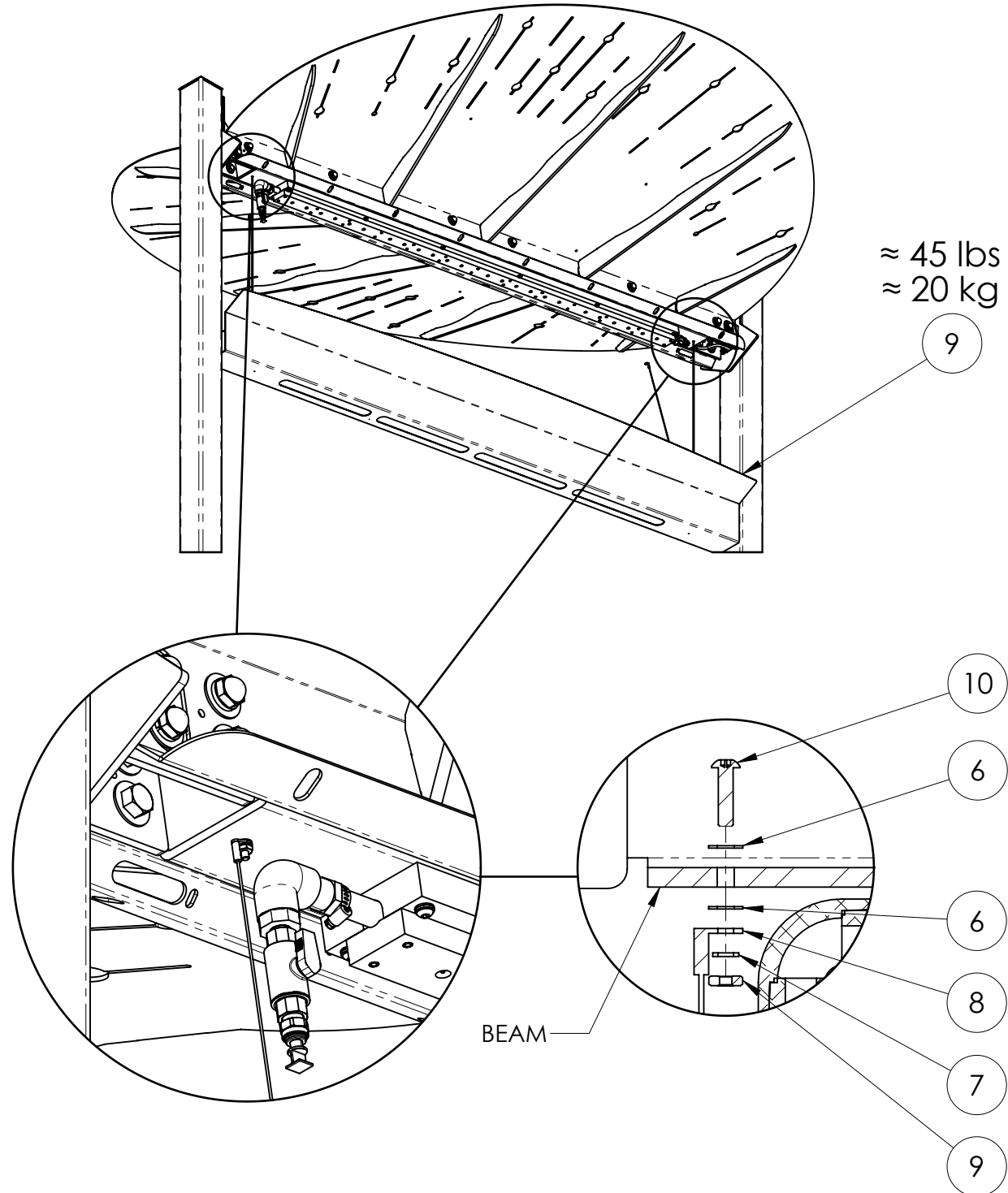
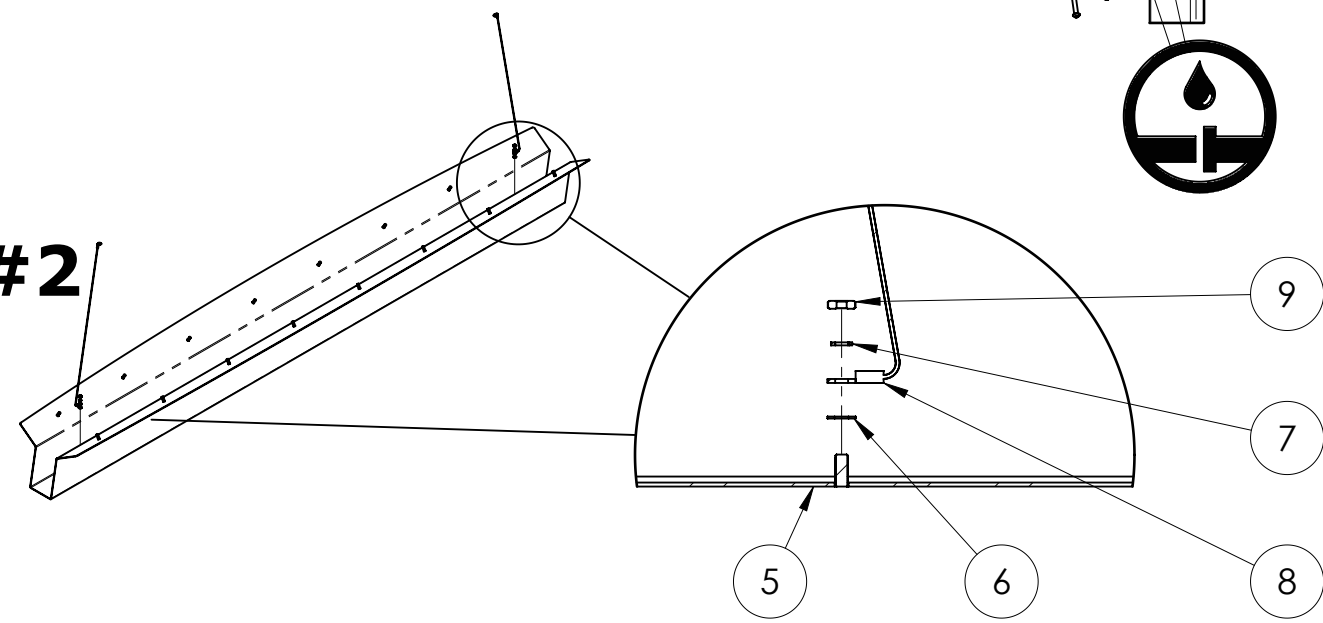
**MIST ASSEMBLY DETAIL**

#1

#3



#2



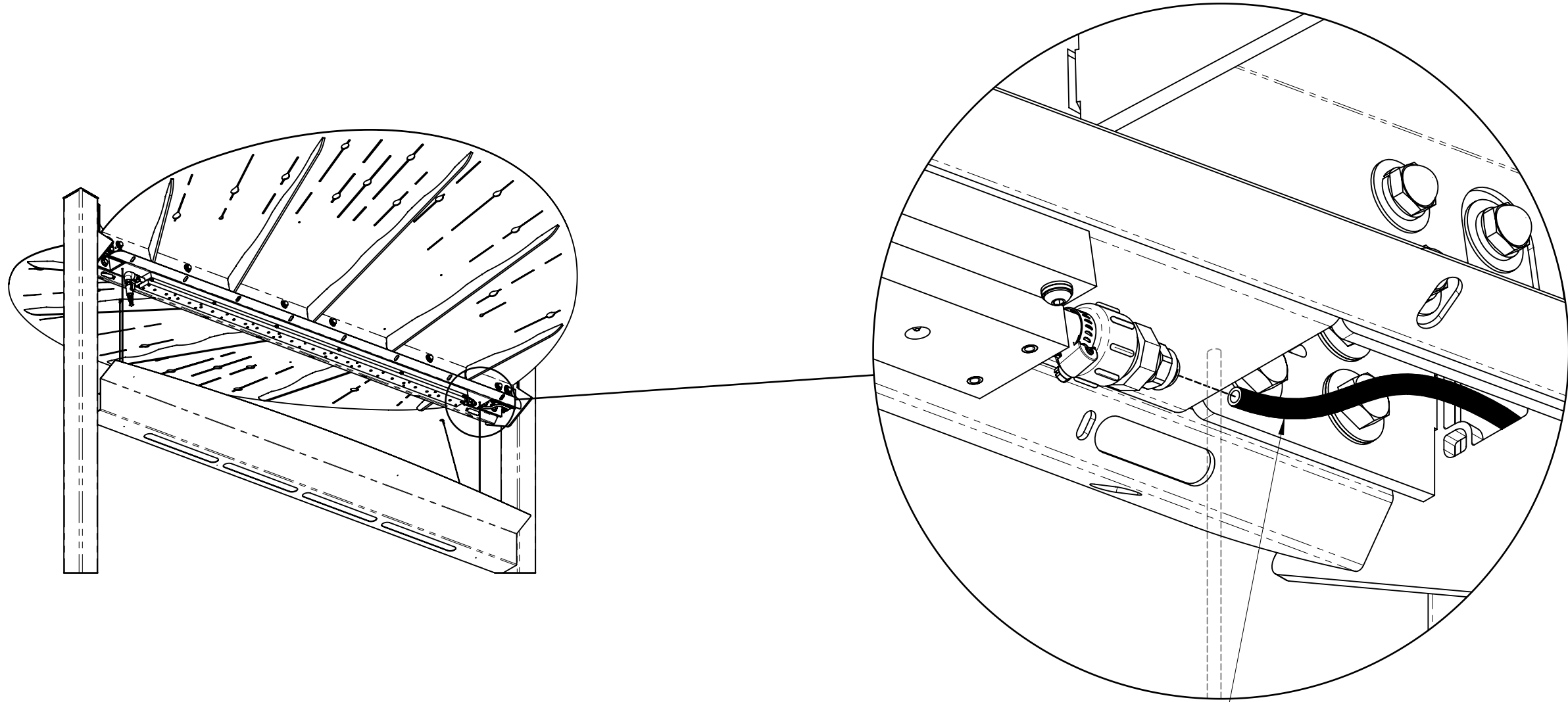
ITEM NO.	QTY.	ITEM NUMBER	DESCRIPTION
1	1	134813	ABRIO_SOFT RAIN_WMS ASSEMBLY
2	12	103864	FLAT WASHER 1/4" X 1/2"OD GP SMALL OD
3	12	103395	SPLIT LOCK WASHER 1/4"
4	12	107423	BUTTON SOCKET CAP SCREW 1/4"-20 X 1 3/4" FULL THREAD
5	1	134866	ABRIO_SOFT RAIN_COVER_ASSEMBLY
6	8	104806	FLAT WASHER #10 X 7/16"OD GP SMALL OD
7	4	103398	SPLIT LOCK WASHER #10
8	2	134511	CABLE LANYARD, EYE-TO-90 DEGREE-EYE, 1/16" DIA, 24" LG, NYLON COATING
9	4	104943	HEX NUT #10-32
10	2	100610	SECURITY BUTTON CAP SCREW #10-32 X 3/4"

**NOTES:**  
 SOFT RAIN WMS ④ MUST ALWAYS BE INSTALL WITH THE ELBOW ON THE LOWER SIDE OF THE BEAM;  
 PRE-ASSEMBLE THE SOFT RAIN COVER WITH ITS SECURITY CABLES;  
 CUT THE EXTRA LENGTH OF WATER TUBING WHILE CONNECTING THE WMS SOFT RAIN

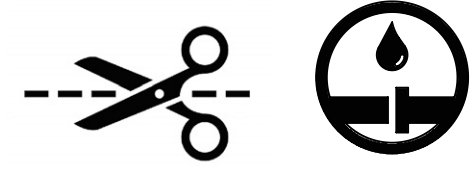
**SOFT RAIN ASSEMBLY DETAIL**

#4

**CRITICAL STEP**  
MAKE SURE WATER TUBE IS FERMLY CONNECTED

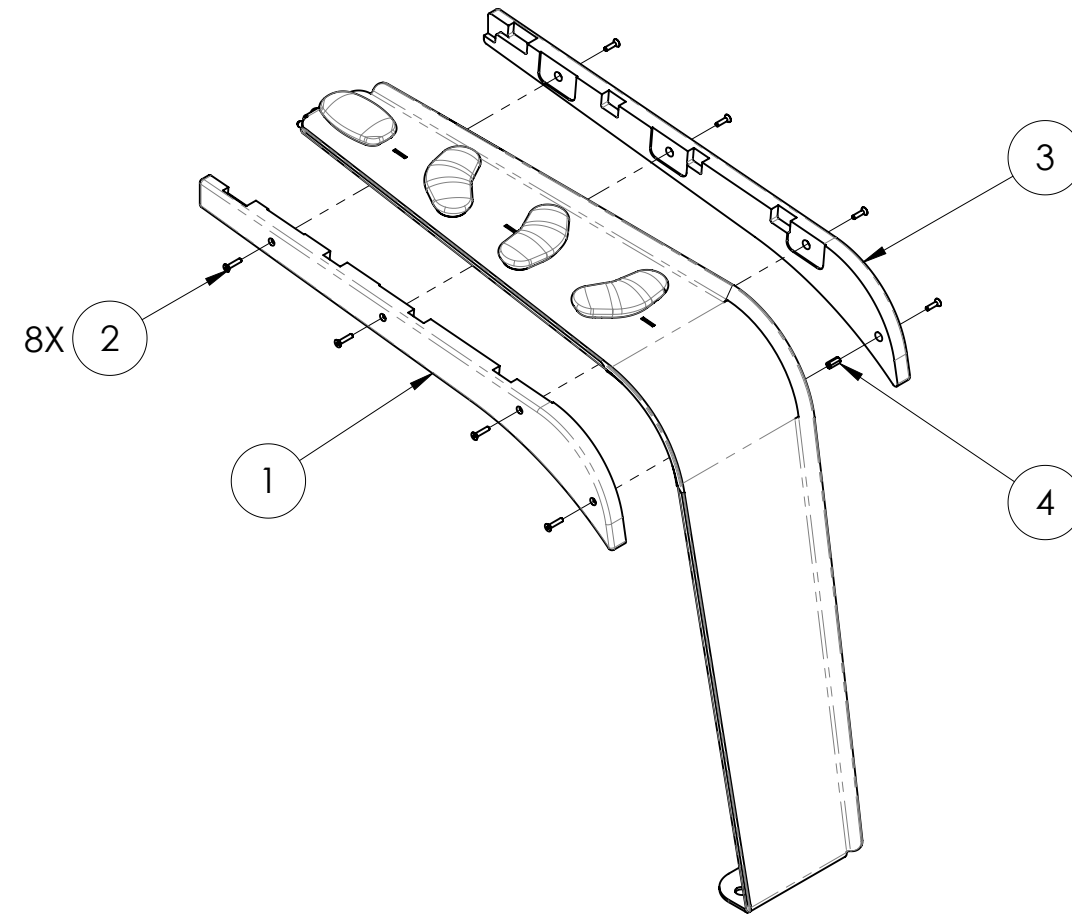
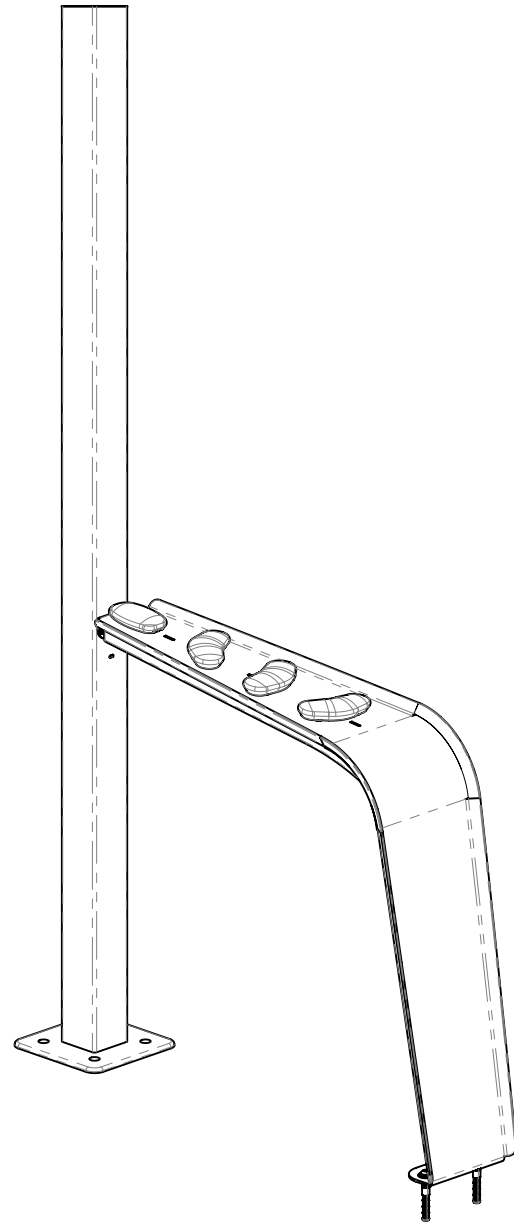


WATER CONNECTION  
CUT EXCESS TUBING IF NEEDED



**SOFT RAIN ASSEMBLY DETAIL**

# #1



DISASSEMBLE SIDE PANELS WITH ITS HARDWARE

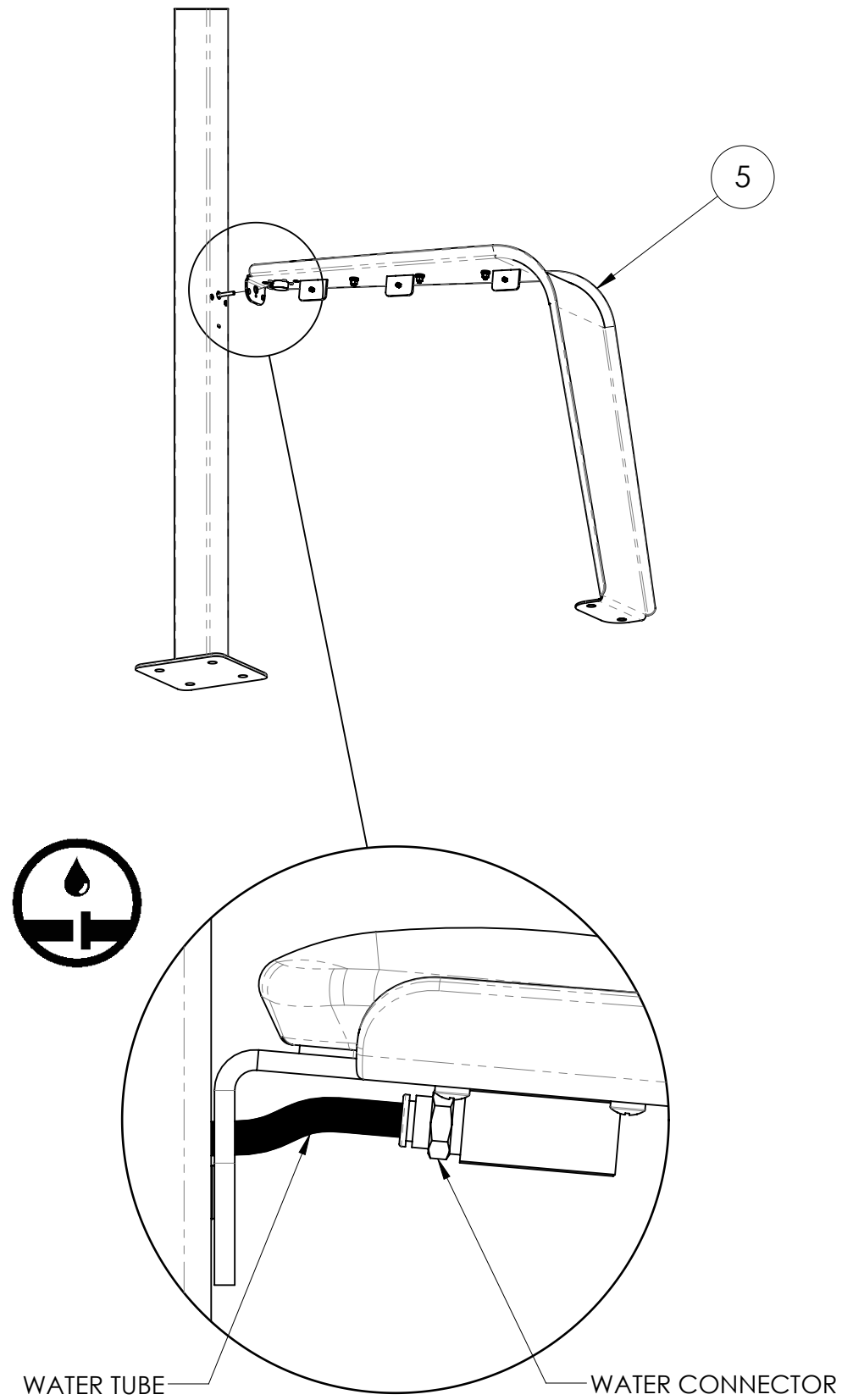
ITEM NO.	QTY.	ITEM NUMBER	DESCRIPTION
1	1	134403	RIVER MAIN BODY PANEL LEFT
2	10	100604	SECURITY FLAT CAP SCREW 1/4"-20 X 1"
3	1	134404	RIVER MAIN BODY PANEL RIGHT
4	1	108153	COUPLING NUT 1/4"-20 X 7/8"
5	1	134352	RIVER MAIN BODY
6	1	130681	HEX HEAD TAPPING SCREW 1/4"-14 X 1" FULL THREAD STAINLESS STEEL 410
7	2	134671	BUTTON SOCKET CAP SCREW 1/2"-13 X 1 1/2" FULL THREAD ZINC PLATED
8	2	103394	SPLIT LOCK WASHER 1/2"
9	2	103867	FLAT WASHER 1/2" X 1 1/4"OD GP SMALL OD
10	2	134450	ADHESIVE-GRIP CONCRETE ANCHOR, 1/2"-13 FNPT, ZINC PLATED STEEL

**NOTES:**  
 REINSTALL SIDE PANELS AFTER TEST;  
 USE LEG'S HOLES TO POSITIONATE AND DRILL THE ANCHOR'S HOLES;  
 PROTECT LEG WITH MASKING TAPE DURING DRILLING AND EPOXY

## RIVER MAZE ASSEMBLY DETAIL

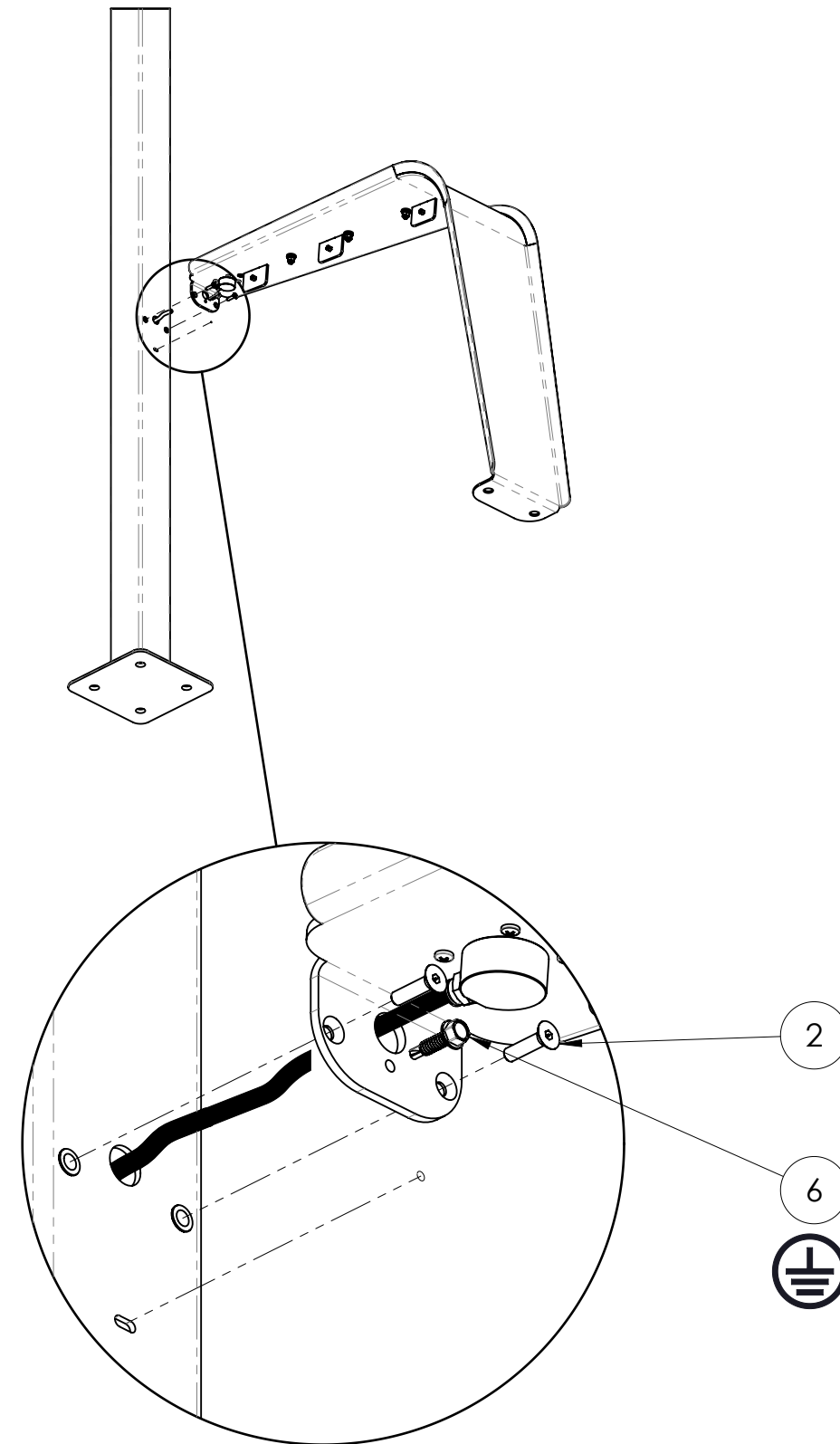


# #2



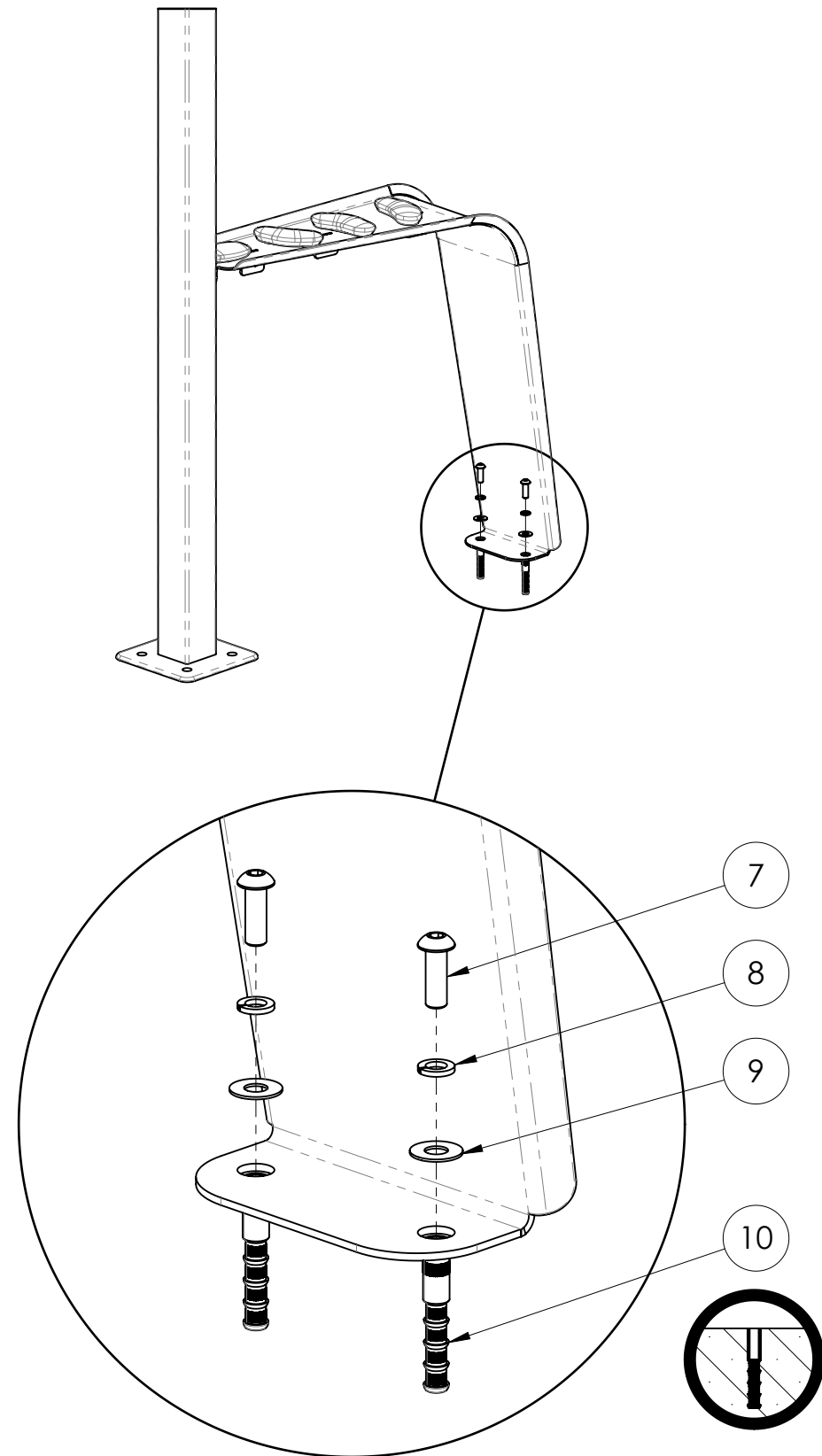
**CRITICAL STEP**  
 MAKE SURE WATER TUBE IS FERMLY CONNECTED

# #3



## RIVER MAZE ASSEMBLY DETAIL

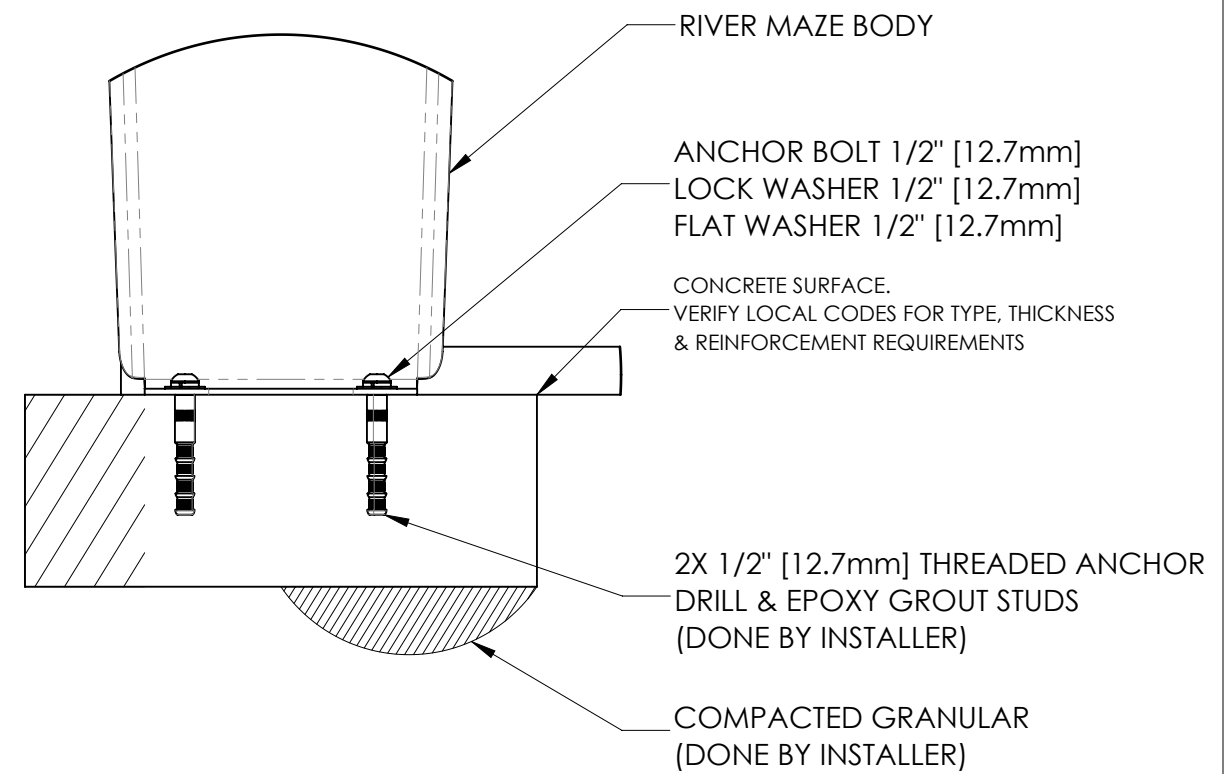
# #4



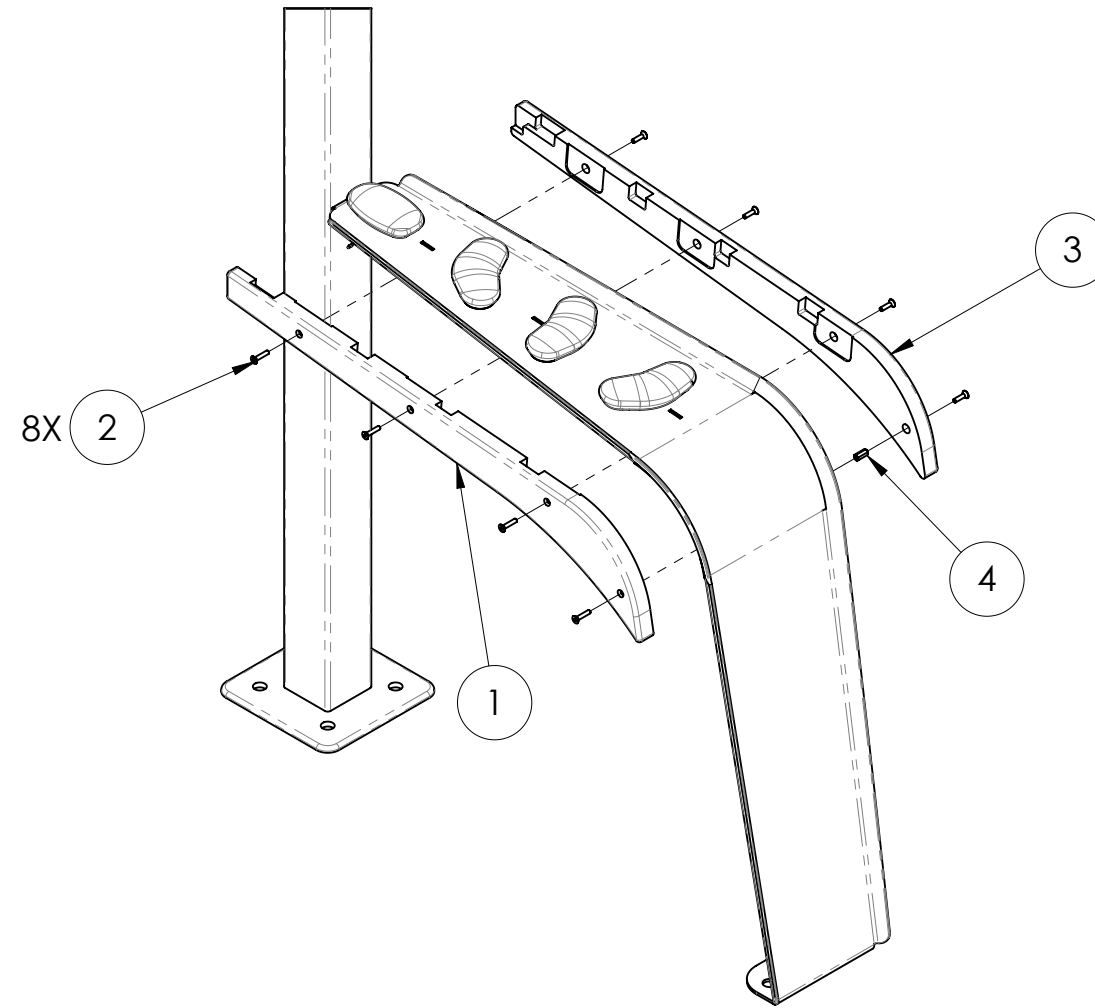
## RIVER MAZE TYPICAL ANCHORING STEPS (DONE BY OTHERS):

1. ASSEMBLE RIVER MAZE ON POST, USING SUPPLIED HARDWARE.
2. MARK ON CONCRETE FOOTING OR SLAB, THE RIVER MAZE LEG ANCHORING HOLES' POSITIONS.
3. REMOVE RIVER MAZE.
4. DRILL ON HOLES' MARKINGS WITH 3/4" DRILL BIT SIZE.
5. CLEAN THE DRILLED HOLES.
6. PUT ANCHORS IN HOLES WITH EPOXY (EPOXY ANCHORING ADHESIVE PULL-OUT STRENGTH MUST BE MINIMUM 6400 LBF).
7. WAIT FOR EPOXY'S CURING TIME.
8. ASSEMBLE THE RIVER MAZE AS PER VORTEX' ASSEMBLY GUIDE.

## RIVER MAZE TYPICAL ANCHORING DETAIL



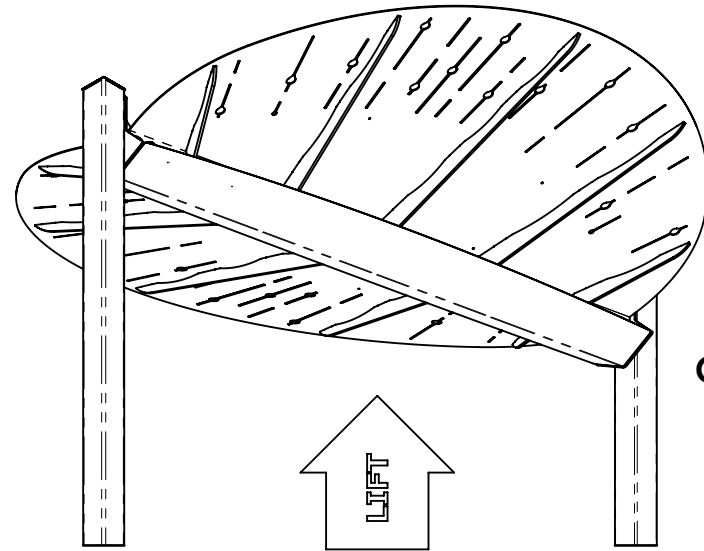
#5



ASSEMBLE SIDE PANELS WITH ITS HARDWARE

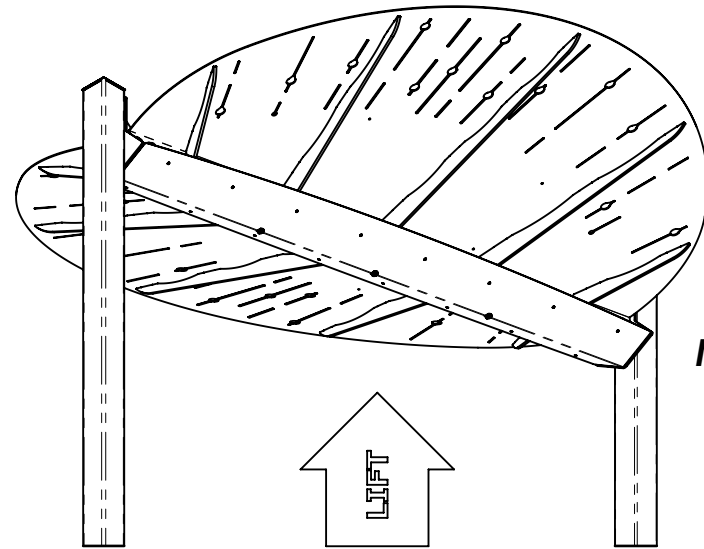
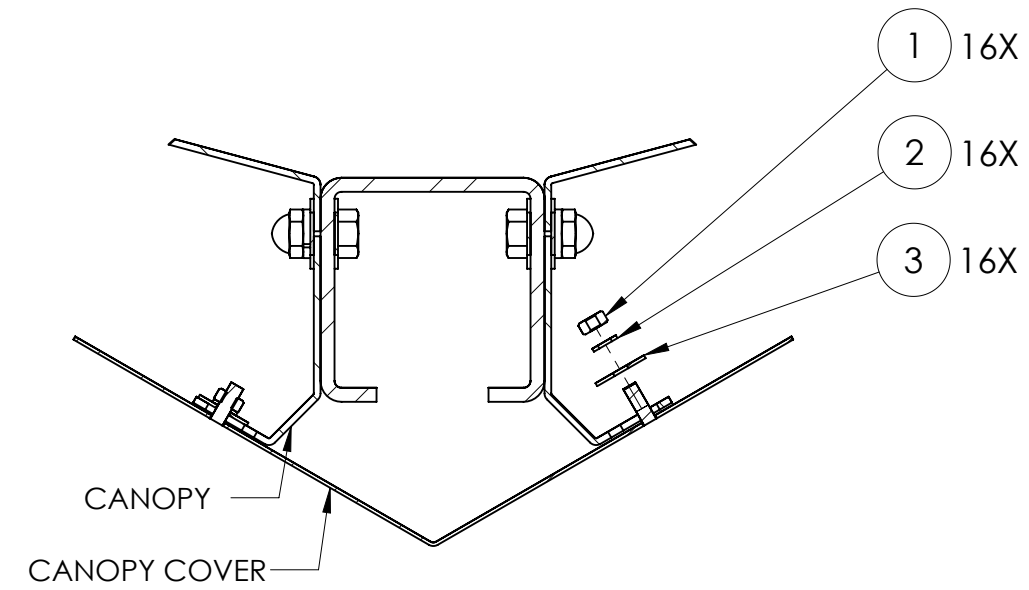
**RIVER MAZE ASSEMBLY DETAIL**

**#1**  
PER COVER

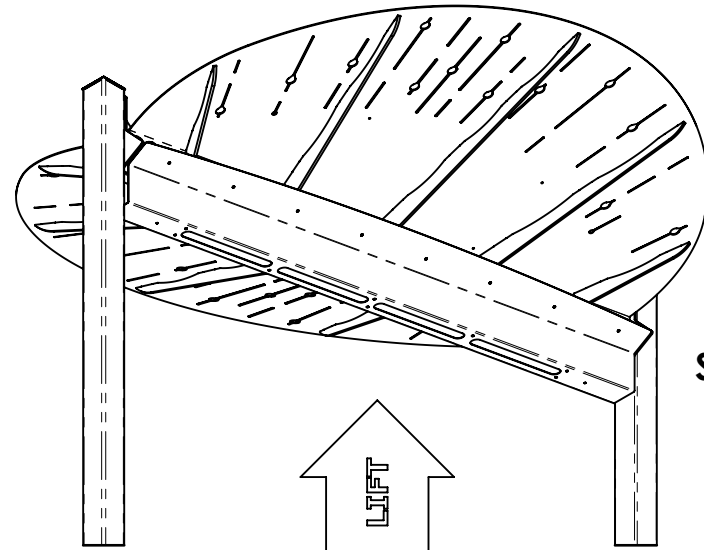
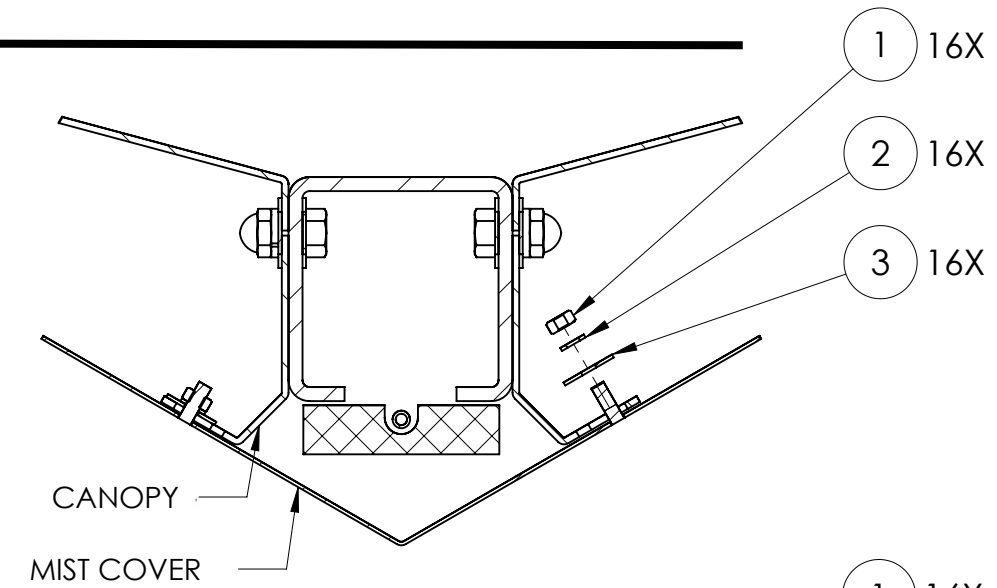


**CANOPY COVER**

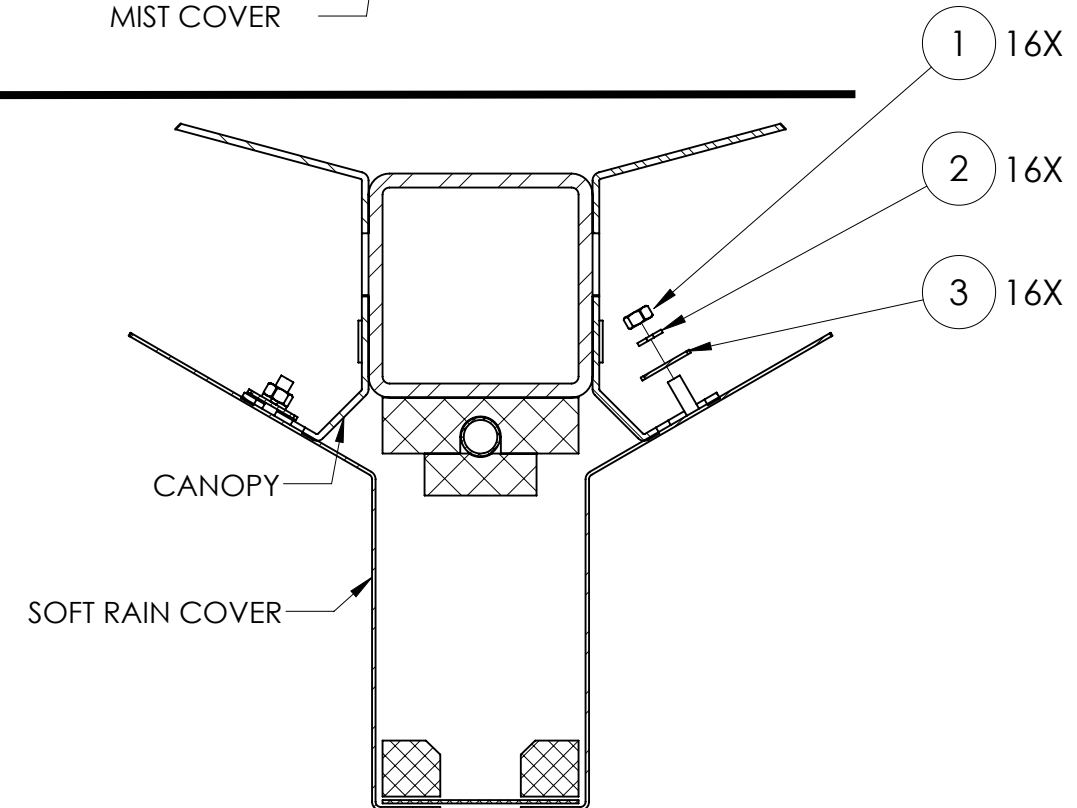
**#2**  
PER COVER



**MIST COVER**



**SOFT RAIN COVER**



**COVER ASSEMBLY DETAIL**

ITEM NO.	QTY.	ITEM NUMBER	DESCRIPTION
1	16	103267	HEX NUT 1/4"-20
2	16	103395	SPLIT LOCK WASHER 1/4"
3	16	103865	FLAT WASHER 1/4" X 1"OD FENDER WASHER