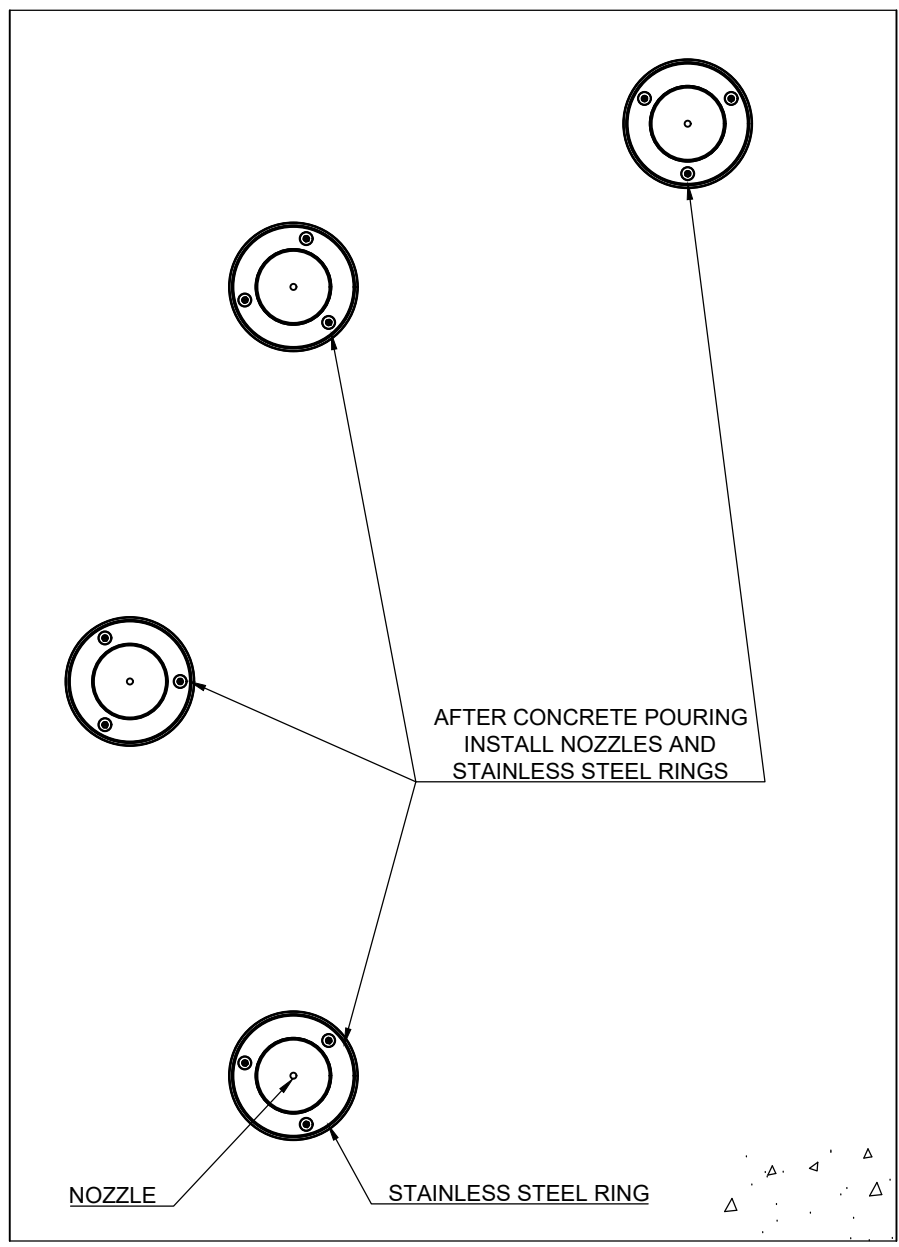
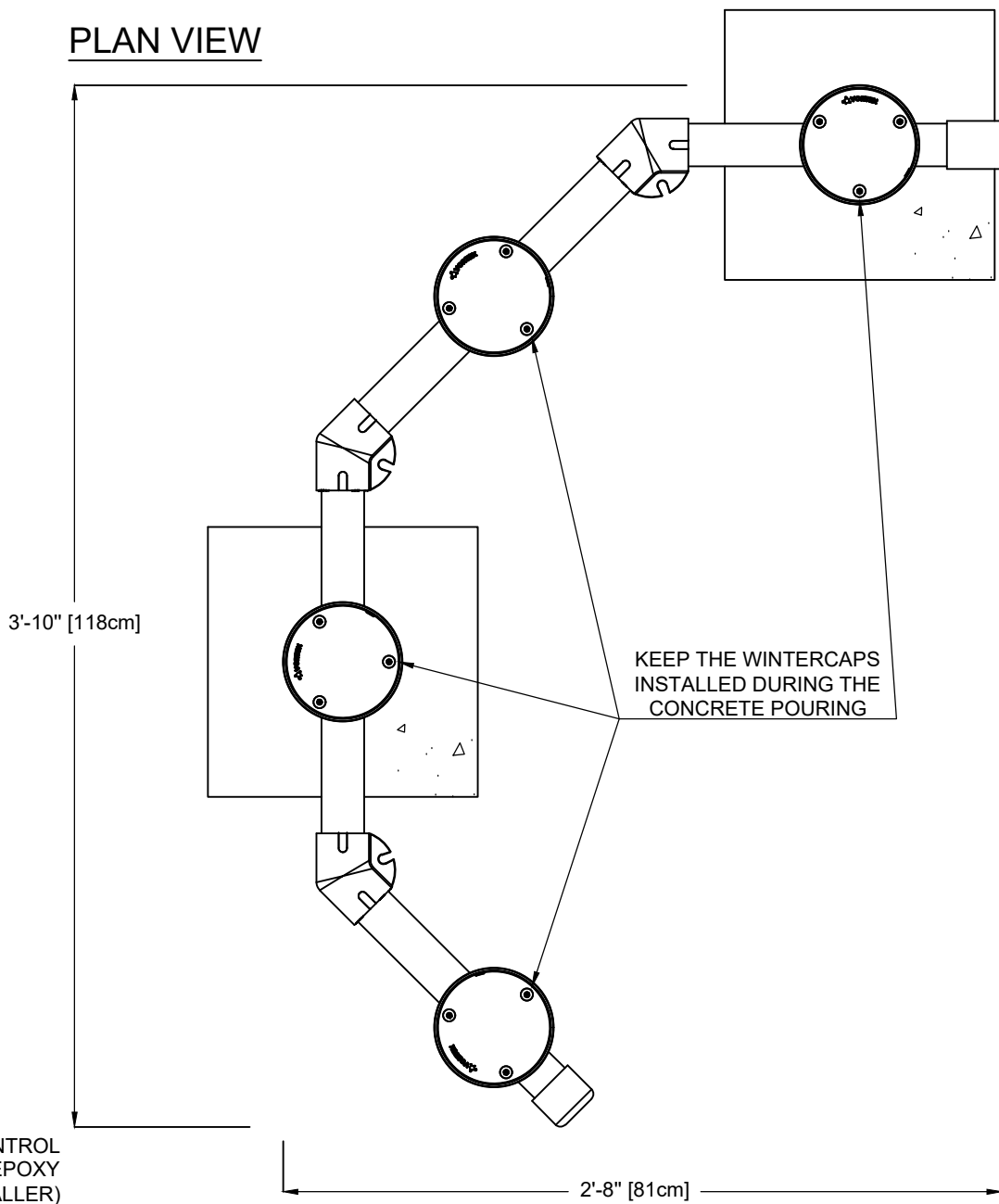


NOTES:

- 1) "BY INSTALLER/BY CONTRACTOR" MAY REFER TO SERVICE PROVIDERS OTHER THAN THE EQUIPMENT MANUFACTURER. PLEASE REFER TO PROJECT SPECIFICATION FOR DETAILS OF RESPONSIBILITY.
- 2) POLYMER ENCAPSULATED ASSEMBLY NO EARTH GROUNDING AND NO BONDING RECOMMENDED FOR SPRAYLINK™ SYSTEM FOLLOW LOCAL CODE
- 3) REFER TO INSTALLATION GUIDE FOR MORE DETAILS.

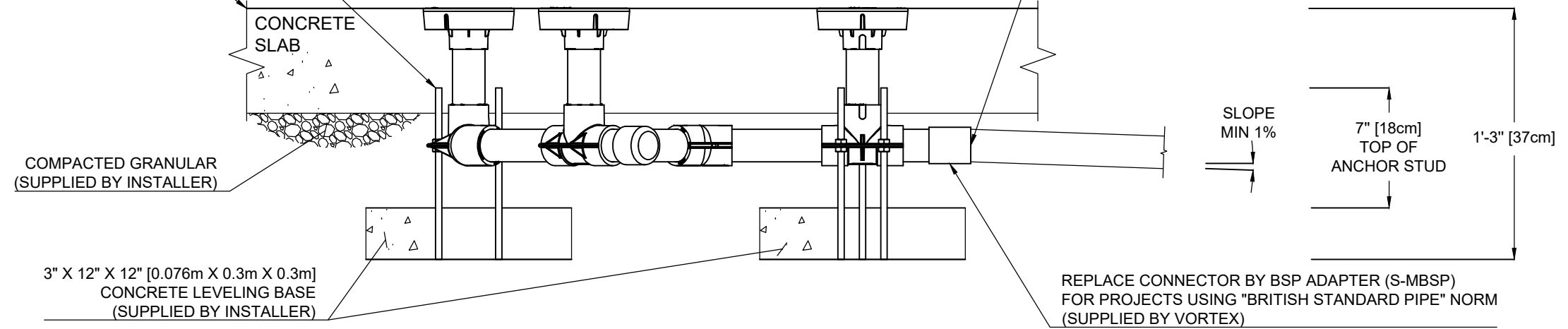
PLAN VIEW



FRONT ELEVATION VIEW

6 X 3/8" [10MM] S.S. HEIGHT & LEVELING CONTROL ANCHOR STUDS WITH HARDWARE. DRILL & EPOXY GROUT STUDS (DONE BY INSTALLER)

CONCRETE SURFACE. VERIFY LOCAL CODES FOR TYPE, THICKNESS & REINFORCEMENT REQUIREMENTS



REPLACE CONNECTOR BY BSP ADAPTER (S-MBSP) FOR PROJECTS USING "BRITISH STANDARD PIPE" NORM (SUPPLIED BY VORTEX)

PRODUCT NAME: SPRAYLINK CURVE

PRODUCT NUMBER: VOR 3056

DATE: 03/07/23

PRODUCT INFORMATION

SHEET NO: 1/1

11"x17" SHEET SIZE

