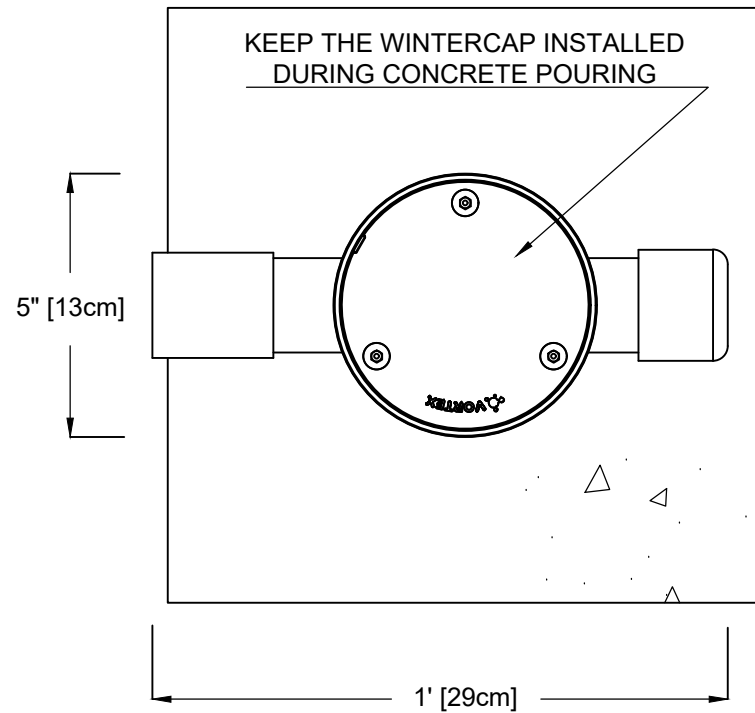


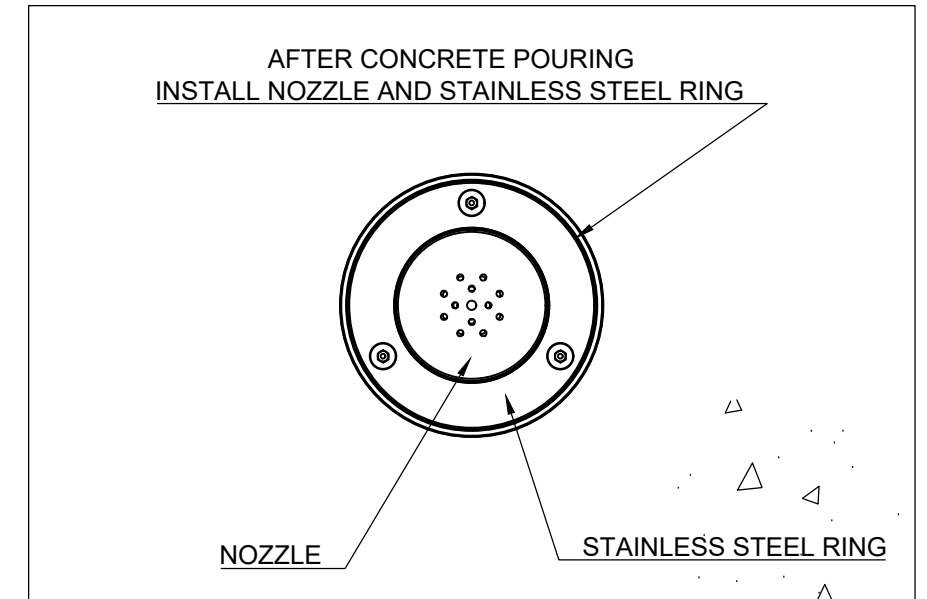
NOTES:

- 1) "BY INSTALLER/BY CONTRACTOR" MAY REFER TO SERVICE PROVIDERS OTHER THAN THE EQUIPMENT MANUFACTURER. PLEASE REFER TO PROJECT SPECIFICATION FOR DETAILS OF RESPONSIBILITY.
- 2) POLYMER ENCAPSULATED ASSEMBLY NO EARTH GROUNDING AND NO BONDING RECOMMENDED FOR SPRAYLINK™ SYSTEM FOLLOW LOCAL CODE
- 3) REFER TO INSTALLATION GUIDE FOR MORE DETAILS.

PLAN VIEW



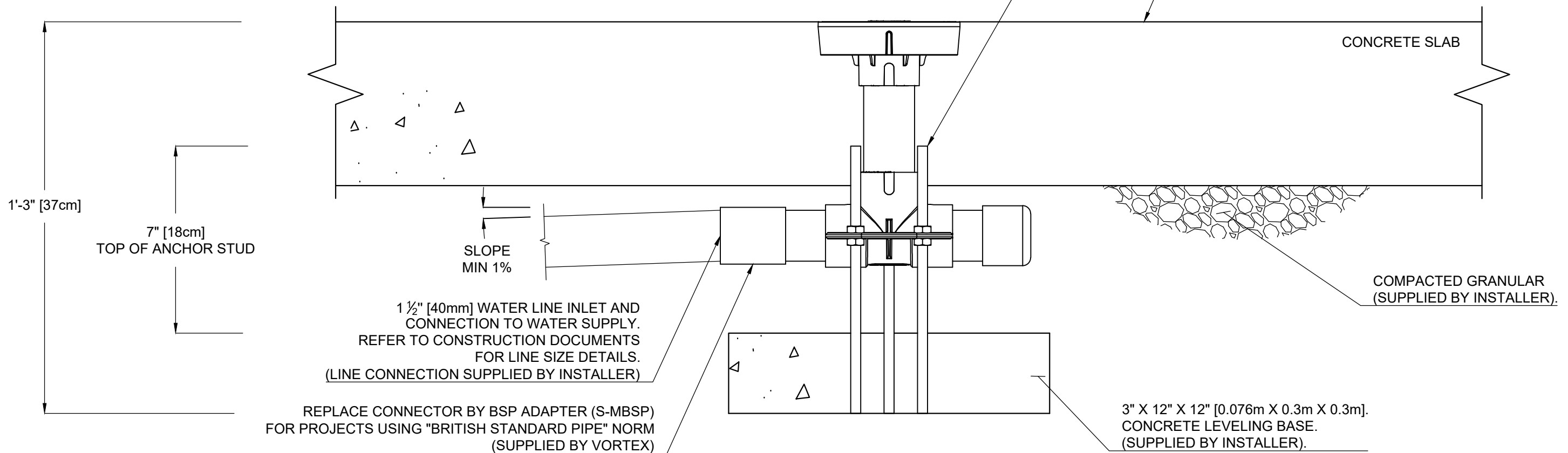
PLAN VIEW



3 X 3/8" [10mm] S.S HEIGHT & LEVELING CONTROL ANCHOR STUDS WITH HARDWARE. DRILL & EPOXY GPOXY GROUT STUDS. (DONE BY INSTALLER).

CONCRETE SURFACE, VERIFY LOCAL CODES FOR TYPE, THICKNESS & REINFORCEMENT REQUIREMENTS.

FRONT ELEVATION VIEW



PRODUCT NAME: SPRAYLINK BLOOM

PRODUCT NUMBER: VOR 3006

DATE: 01/09/23

PRODUCT INFORMATION

SHEET NO: 1/1

11"x17" SHEET SIZE

