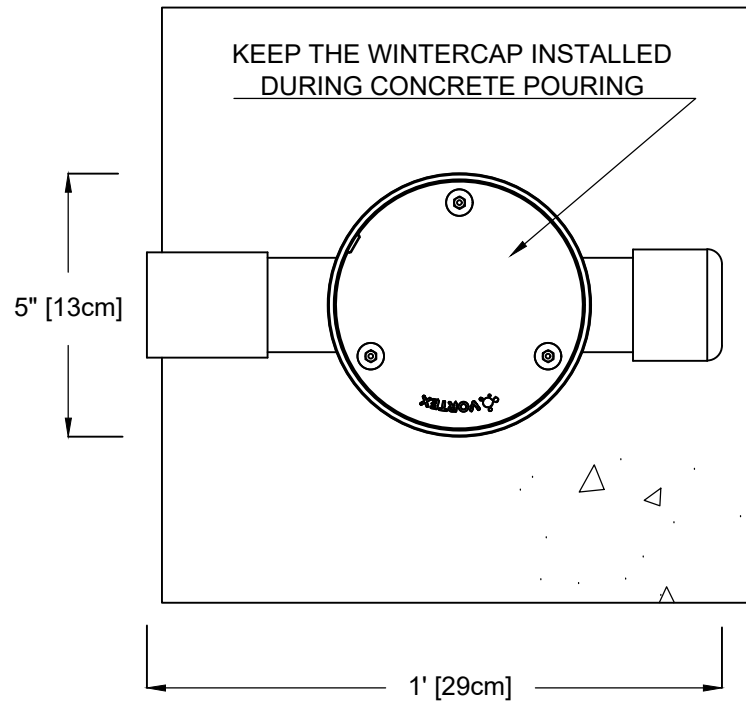


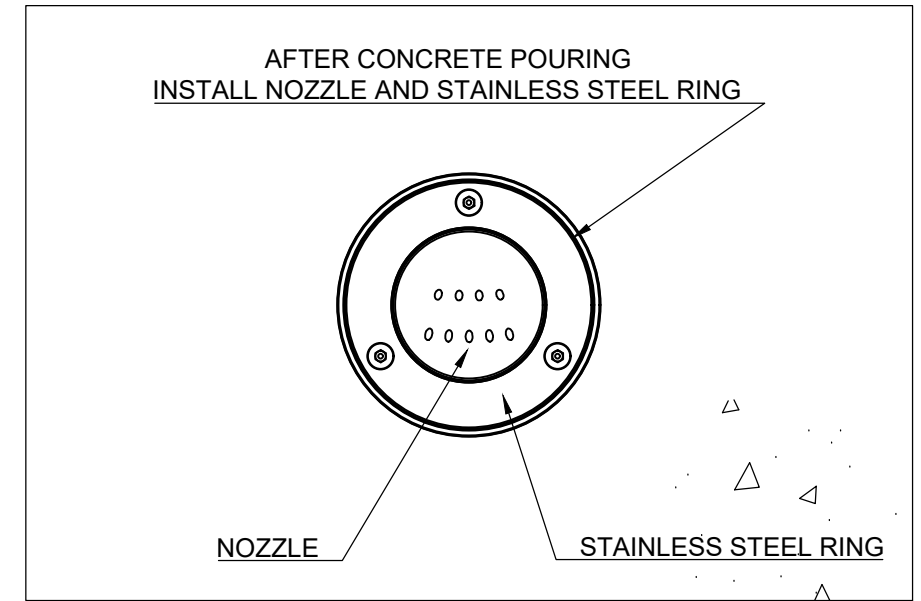
NOTES:

- 1) "BY INSTALLER/BY CONTRACTOR" MAY REFER TO SERVICE PROVIDERS OTHER THAN THE EQUIPMENT MANUFACTURER. PLEASE REFER TO PROJECT SPECIFICATION FOR DETAILS OF RESPONSIBILITY.
- 2) POLYMER ENCAPSULATED ASSEMBLY
NO EARTH GROUNDING AND NO BONDING RECOMMENDED FOR SPRAYLINK™ SYSTEM
FOLLOW LOCAL CODE
- 3) REFER TO INSTALLATION GUIDE FOR MORE DETAILS.

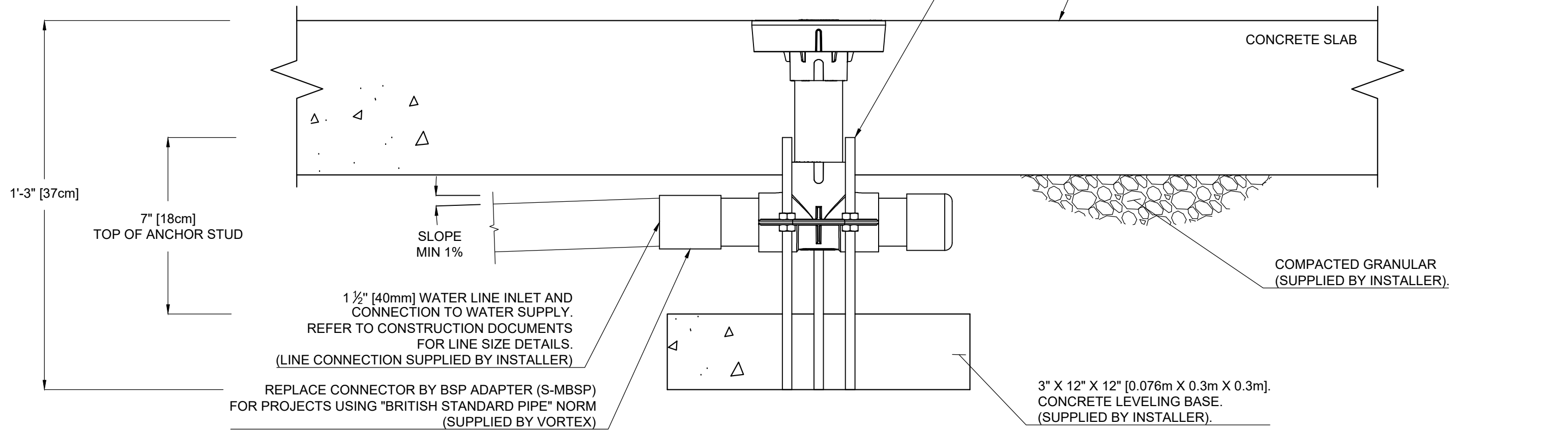
PLAN VIEW



PLAN VIEW



FRONT ELEVATION VIEW



PRODUCT NAME: SPRAYLINK FAN

PRODUCT INFORMATION

PRODUCT NUMBER: VOR 3004

DATE: 01/06/23

SHEET NO: 1/1

11"x17" SHEET SIZE

