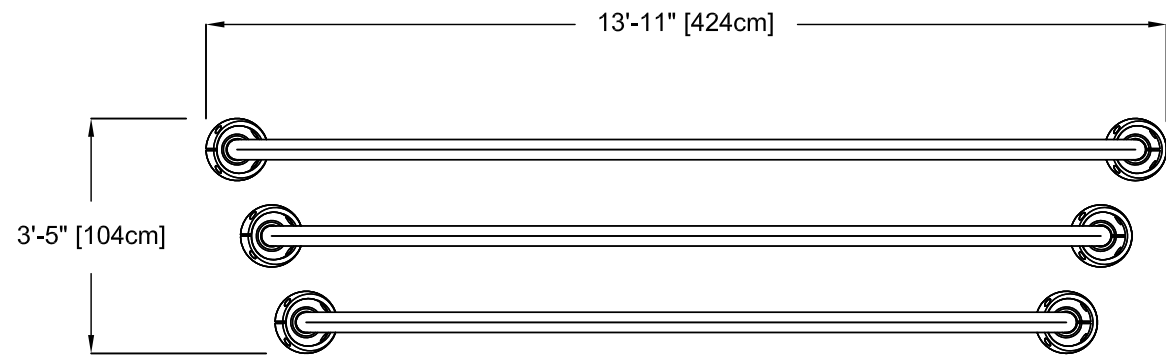
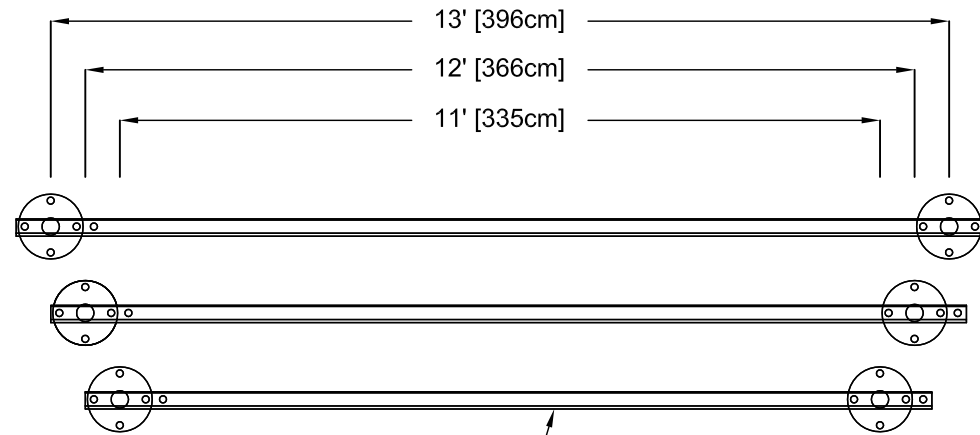


PLAN VIEW

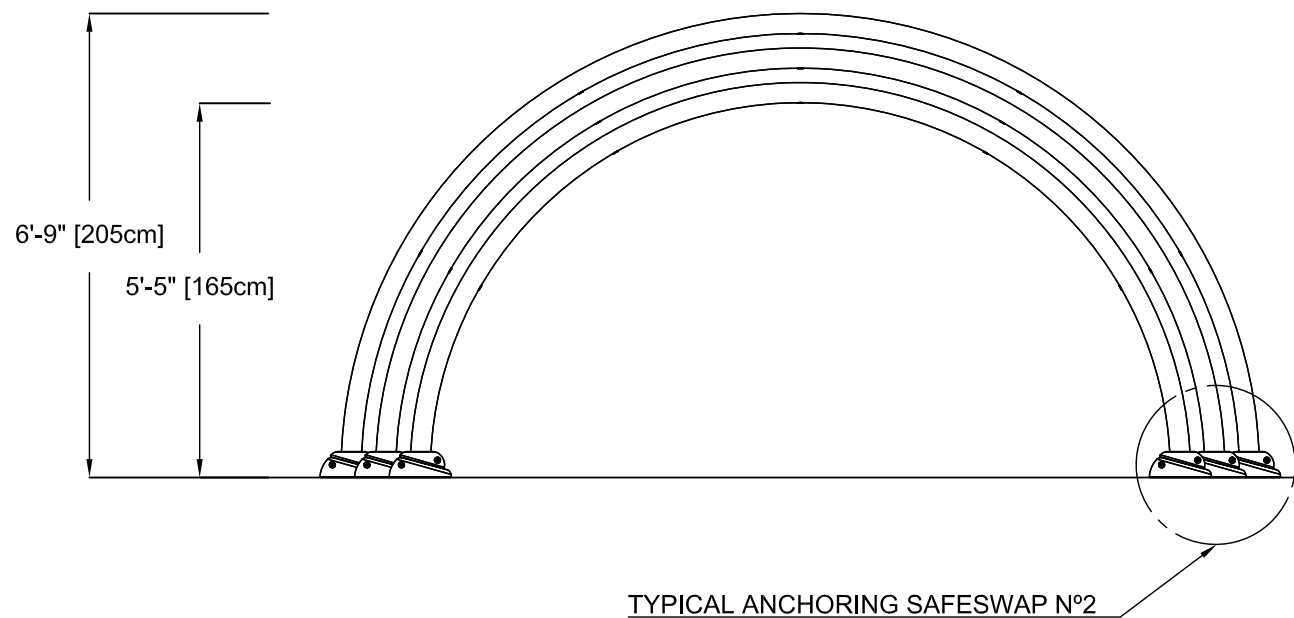


ANCHORING LOCATIONS

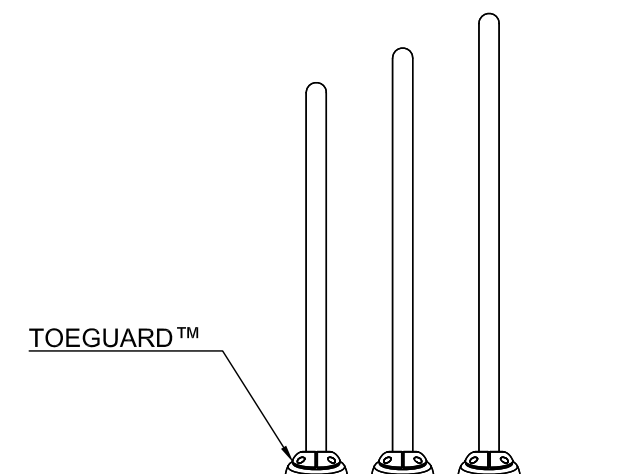


INSTALLATION TEMPLATE (TOOL KIT #55002.0790)  
 REFER TO MAINTENANCE MANUAL FOR INSTRUCTIONS ON  
 INSTALLATION DETAIL AND TOOL KIT #55002.079 MUST BE USED  
 DURING CONCRETE POURING FOR THE PLACEMENT OF THE  
 SAFESWAP TO ENSURE CORRECT PLACEMENT FOR FEATURES.

FRONT ELEVATION VIEW



SIDE ELEVATION VIEW



TYPICAL ANCHORING SAFESWAP N°2

PRODUCT NAME: RAINBOW N°2

PRODUCT INFORMATION

PRODUCT NUMBER: VOR-0548.2XXX

DATE: 03/12/14

SHEET NO: 1/1

11"x17" SHEET SIZE

