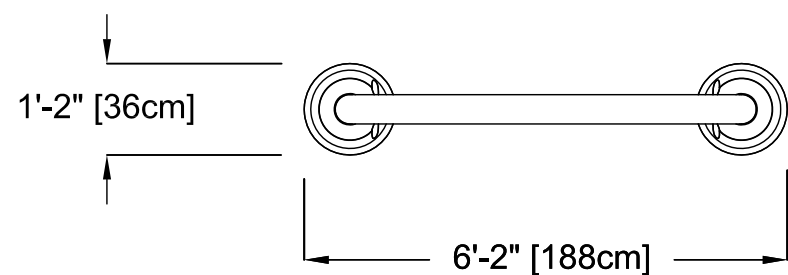
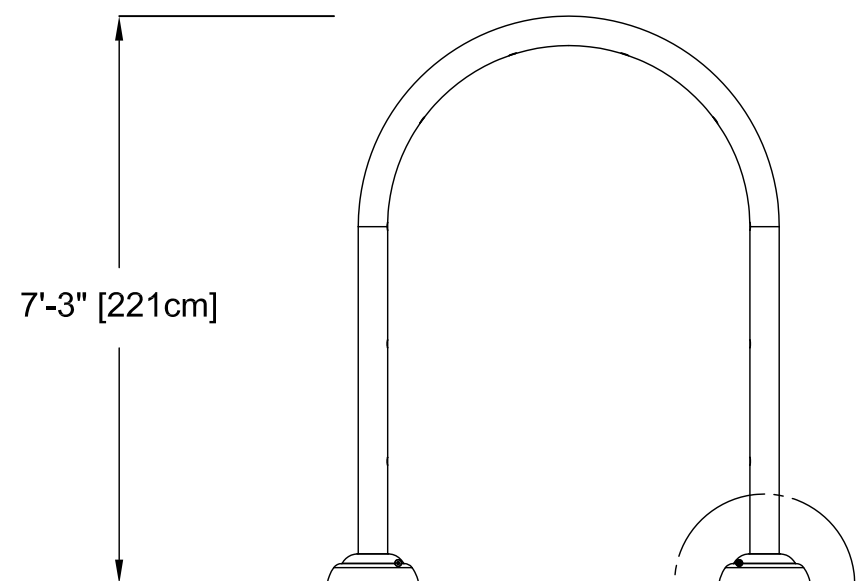


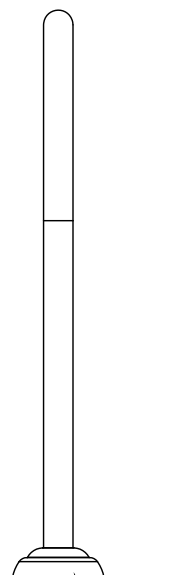
PLAN VIEW



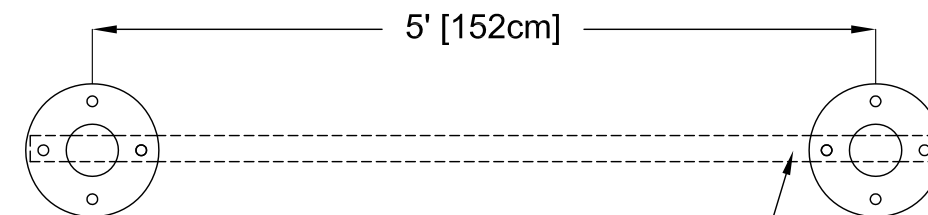
FRONT ELEVATION VIEW



SIDE ELEVATION VIEW



ANCHORING LOCATIONS



INSTALLATION TEMPLATE (TOOL KIT #55002.1020)

REFER TO MAINTENANCE MANUAL FOR INSTRUCTIONS ON
INSTALLATION DETAIL AND TOOL KIT #55002.1020 MUST BE USED
DURING CONCRETE POURING FOR THE PLACEMENT OF THE
SAFESWAP TO ENSURE CORRECT PLACEMENT FOR FEATURES.

TYPICAL ANCHORING SAFESWAP N°1

TOEGUARD™

VOR-0515.2XXX ARCH (Construction Detail)

PRODUCT NAME: ARCH

PRODUCT INFORMATION

PRODUCT NUMBER: VOR-0515.2XXX

DATE: 06/15/09

SHEET NO: 1/1

11"x17" SHEET SIZE

