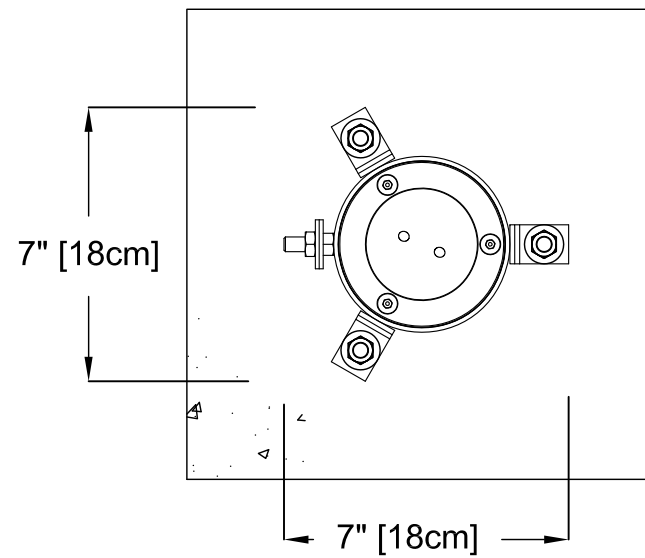


PLAN VIEW



FRONT ELEVATION VIEW

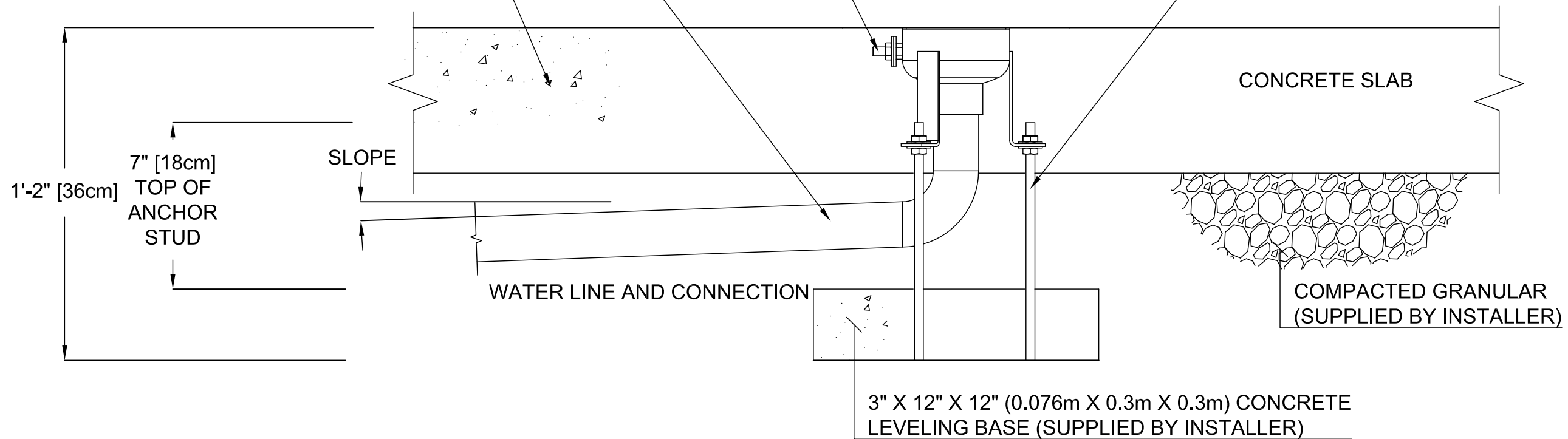
$\frac{3}{8}$ " (10mm) EARTH GROUNDING STUD

WATER LINE INLET $1\frac{1}{2}$ " (38mm). NPT. MIN. 2° SLOPE BACK TO WATER SUPPLY. REFER TO CONSTRUCTION DOCUMENTS FOR LINE SIZE DETAILS. (LINE CONNECTION SUPPLIED BY INSTALLER)

3 X $\frac{3}{8}$ " (10mm) S.S. HEIGHT & LEVELING CONTROL ANCHOR STUDS WITH HARDWARE.

CONCRETE SURFACE. VERIFY LOCAL CODES FOR TYPE, THICKNESS & REINFORCEMENT REQUIREMENTS

DRILL & EPOXY GROUT STUDS (DONE BY INSTALLER)



VOR-0324.4XXX SPARKLE No.1 (Construction Detail)

PRODUCT NAME: SPARKLE No.1

PRODUCT INFORMATION

PRODUCT NUMBER: VOR-0324.4XXX

DATE: 08/05/16

SHEET NO: 1/1

11"x17" SHEET SIZE

