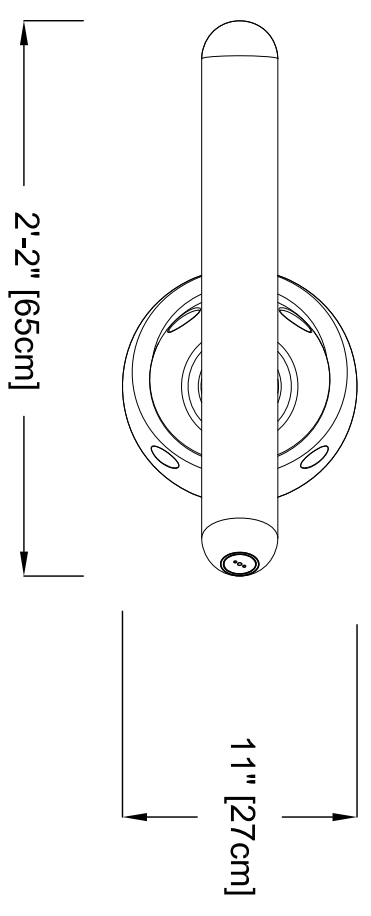
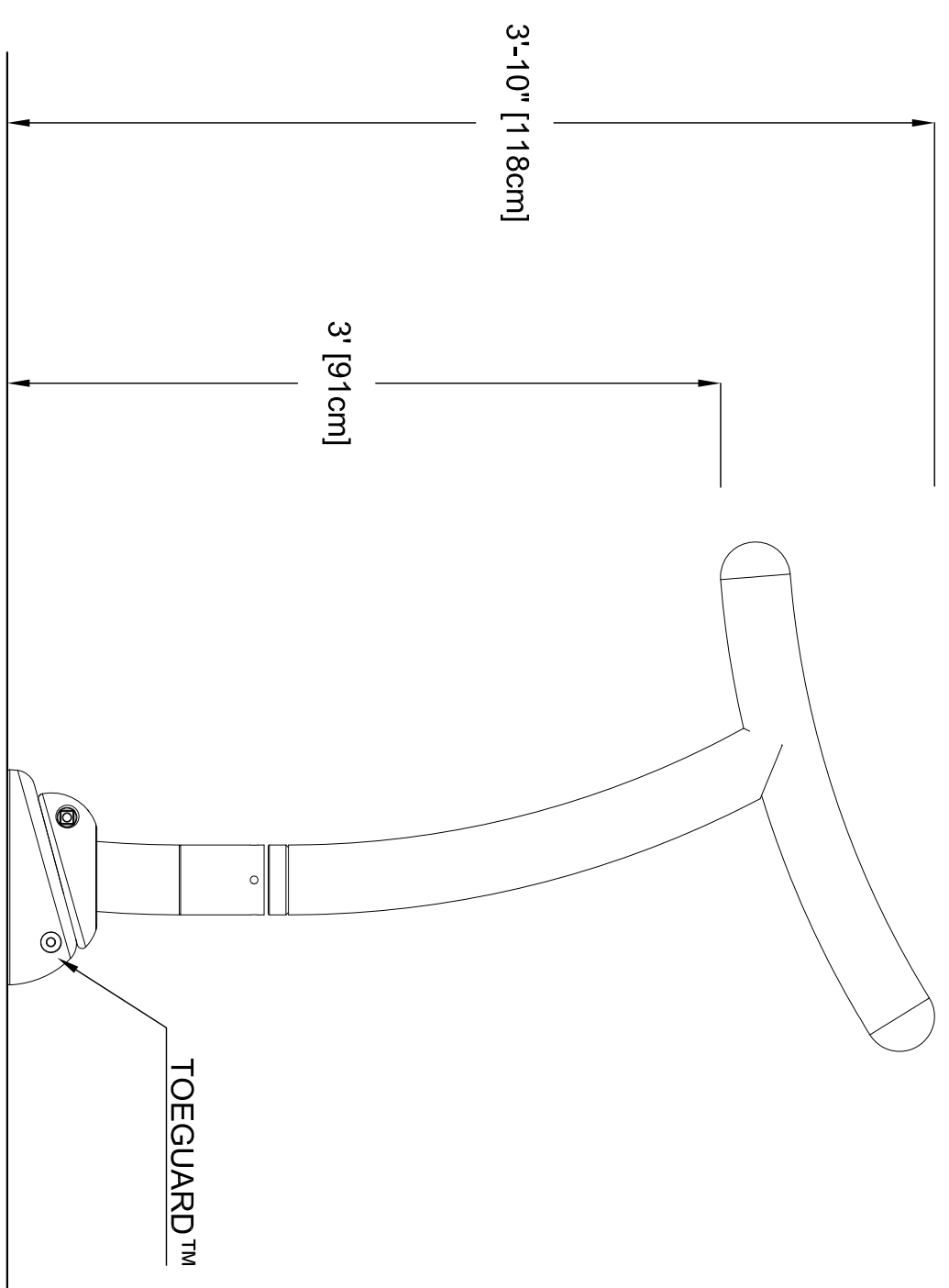


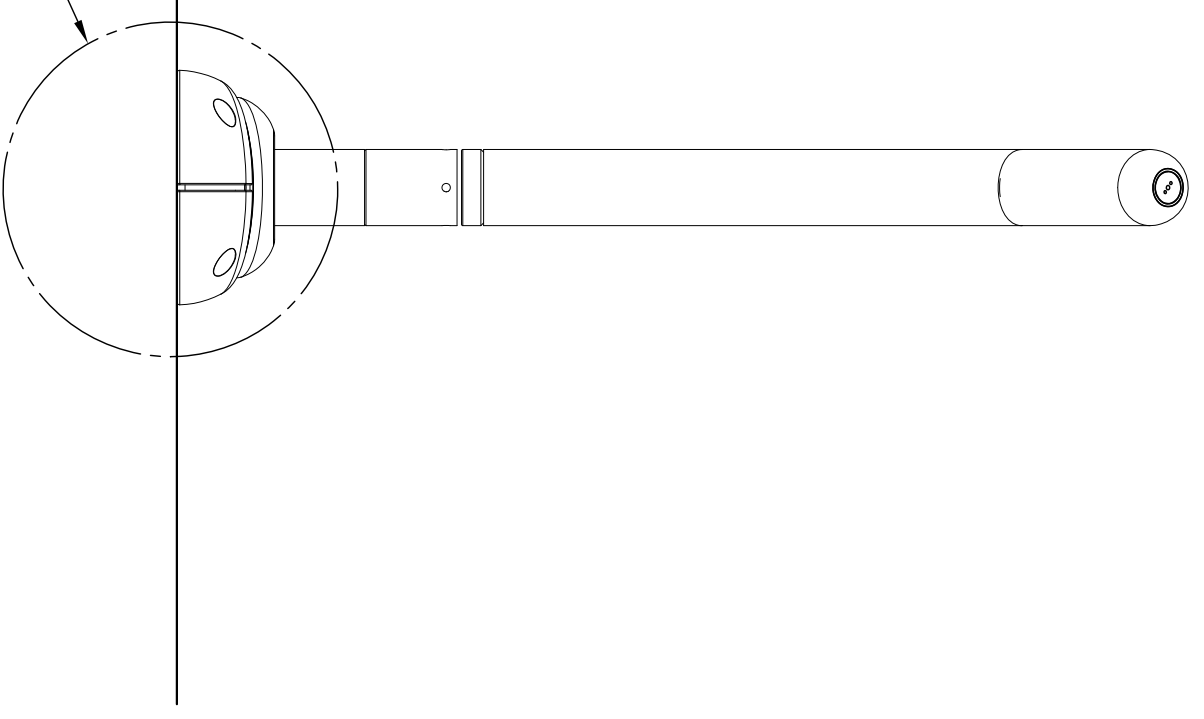
PLAN VIEW



FRONT ELEVATION VIEW



SIDE ELEVATION VIEW



PRODUCT NAME: TUBE N°1

PRODUCT NUMBER: VOR-02220.2XXX

DATE: 02/23/14

PRODUCT INFORMATION

SHEET NO: 1/1

11"x17" SHEET SIZE

