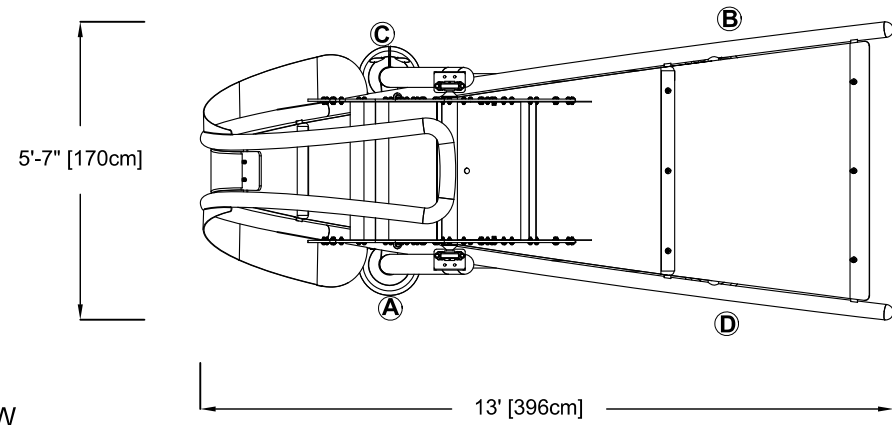
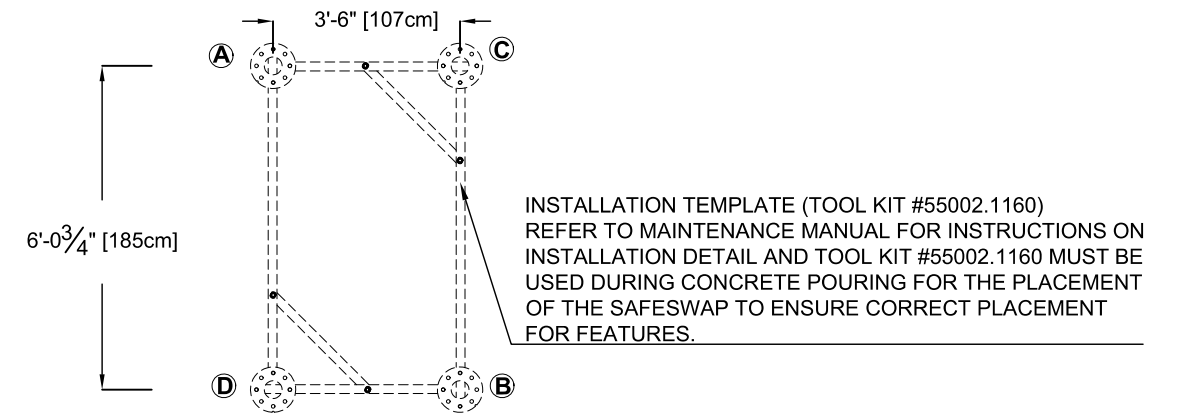


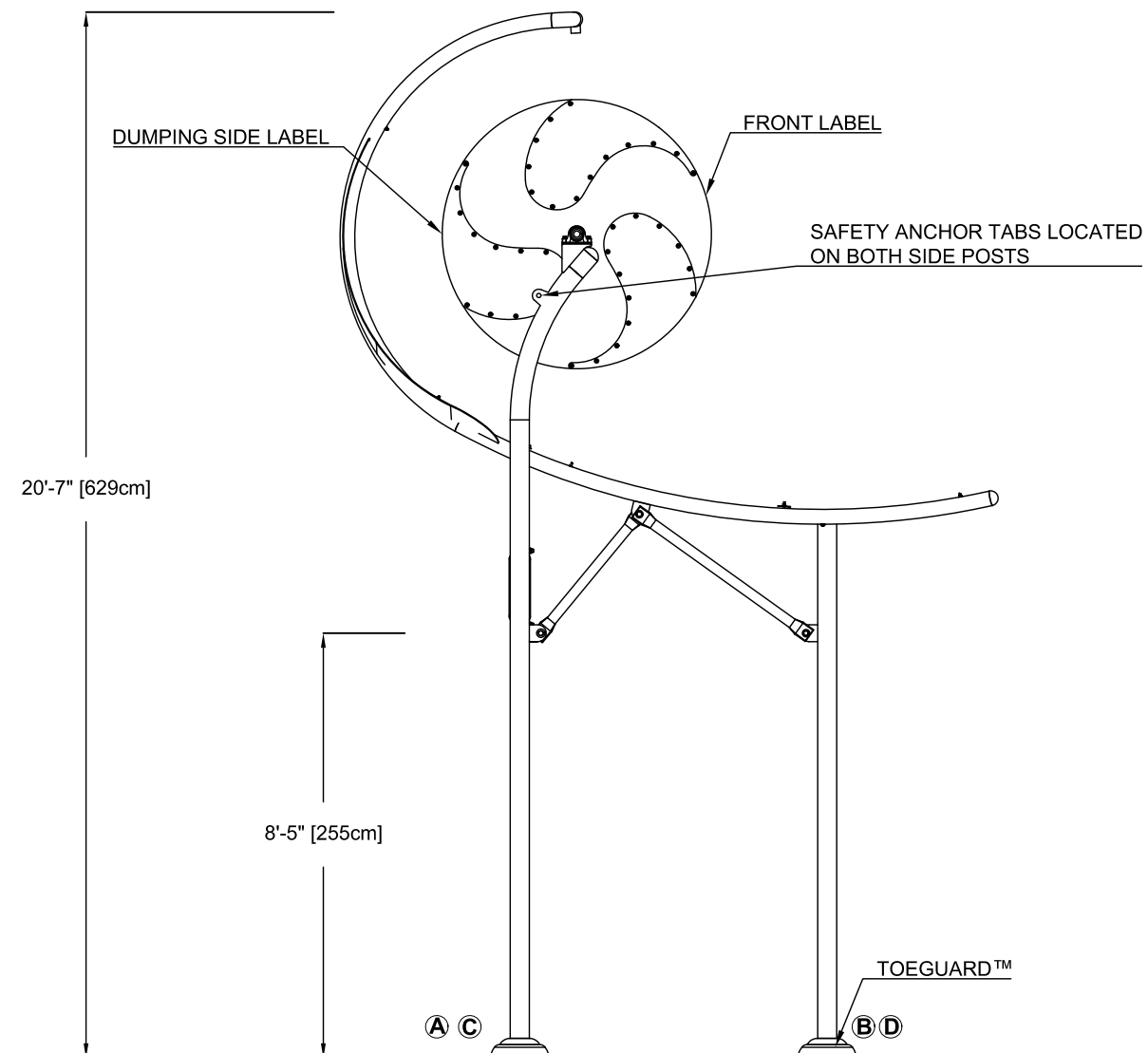
PLAN VIEW



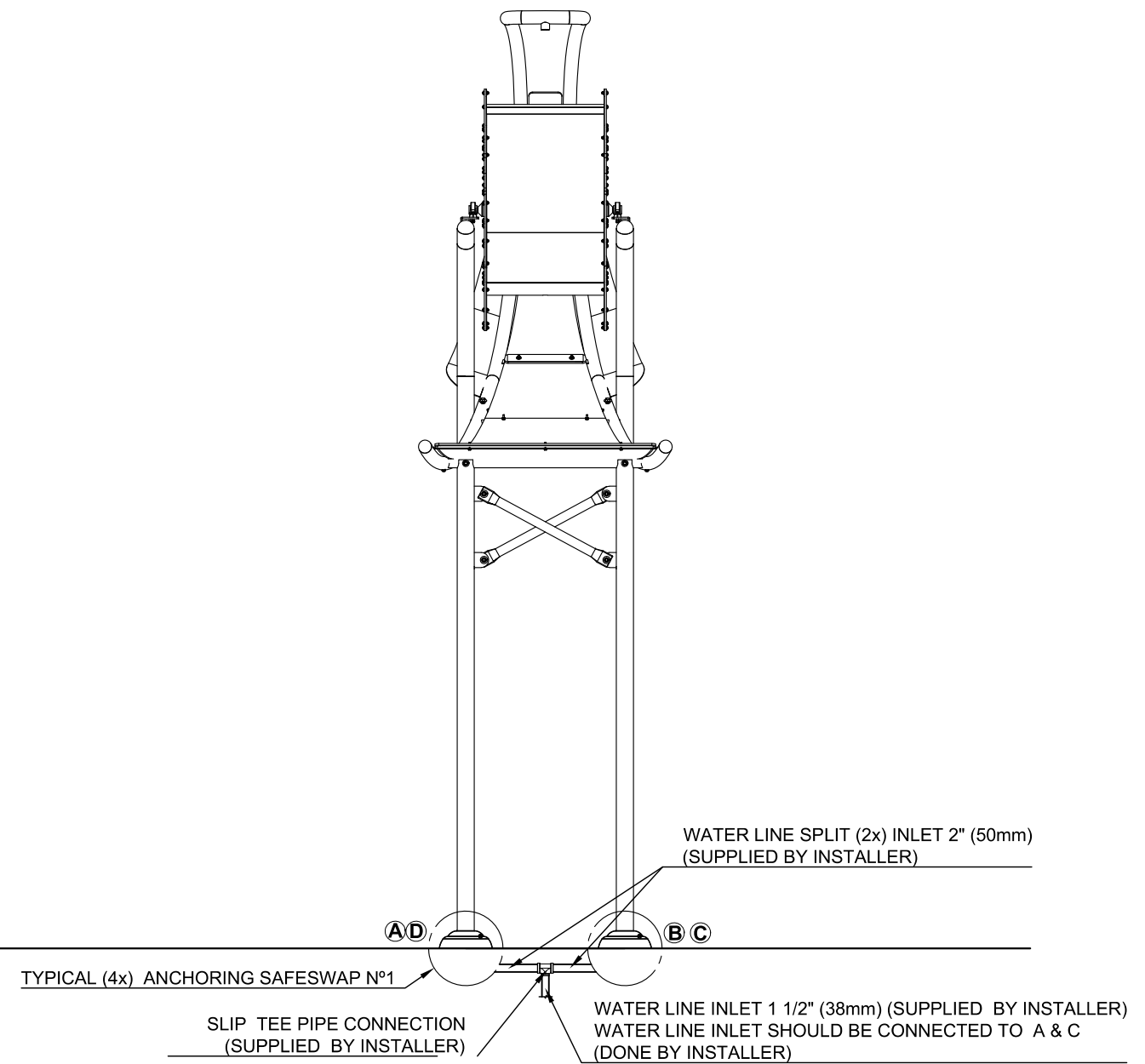
ANCHORING LOCATIONS



FRONT ELEVATION VIEW



SIDE ELEVATION VIEW



PRODUCT NAME: SUPER WAVE WHEEL

PRODUCT INFORMATION

PRODUCT NUMBER: VOR-0136.2008

DATE: 09/04/24

SHEET NO: 1/1

11"x17" SHEET SIZE

