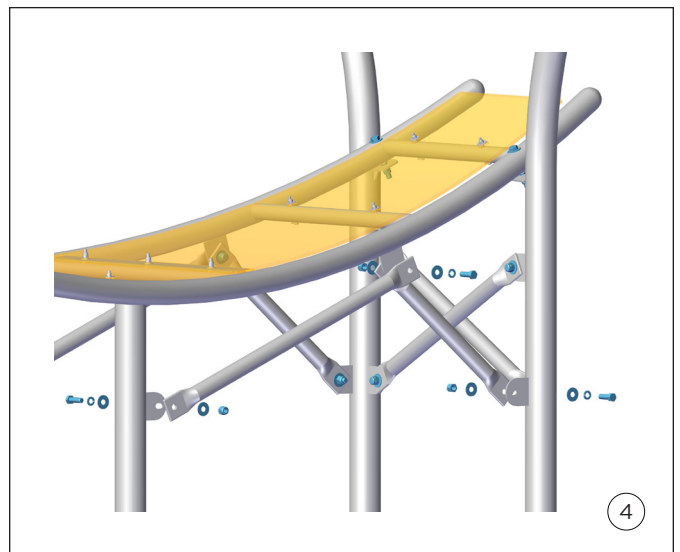
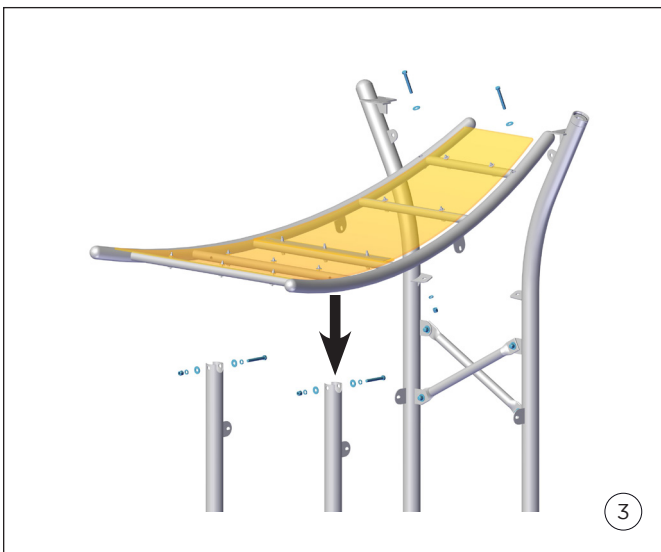
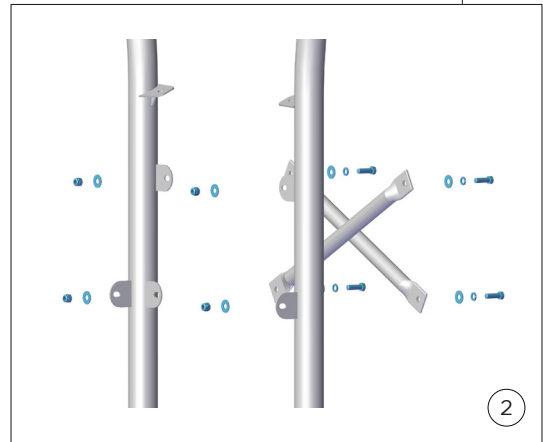
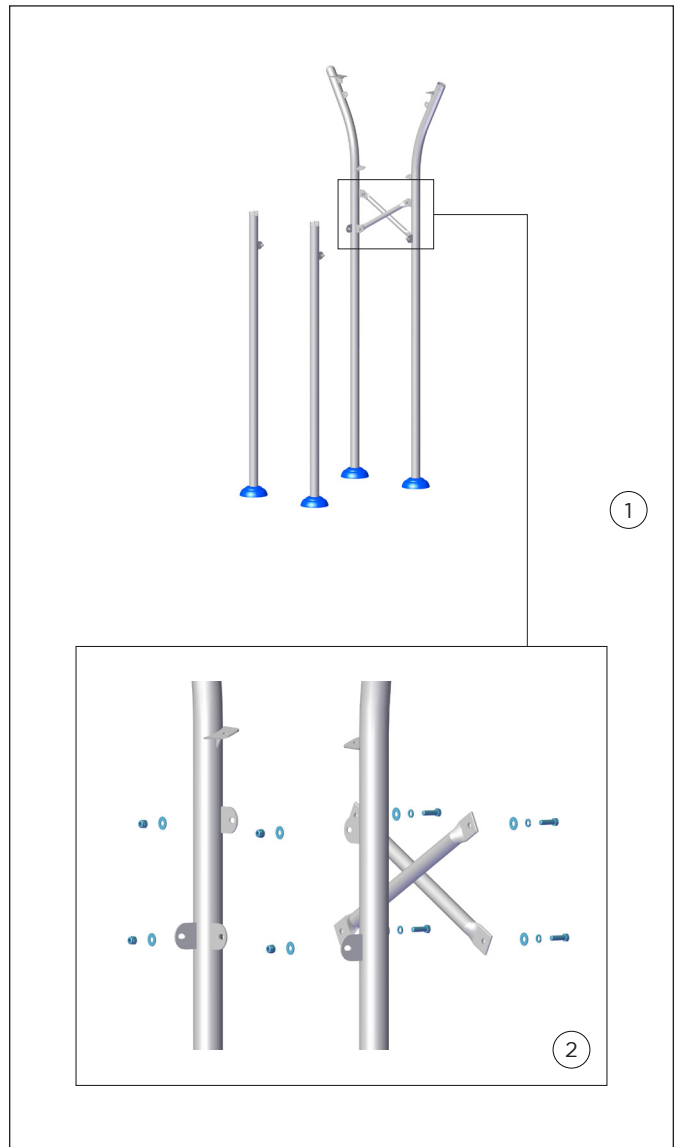
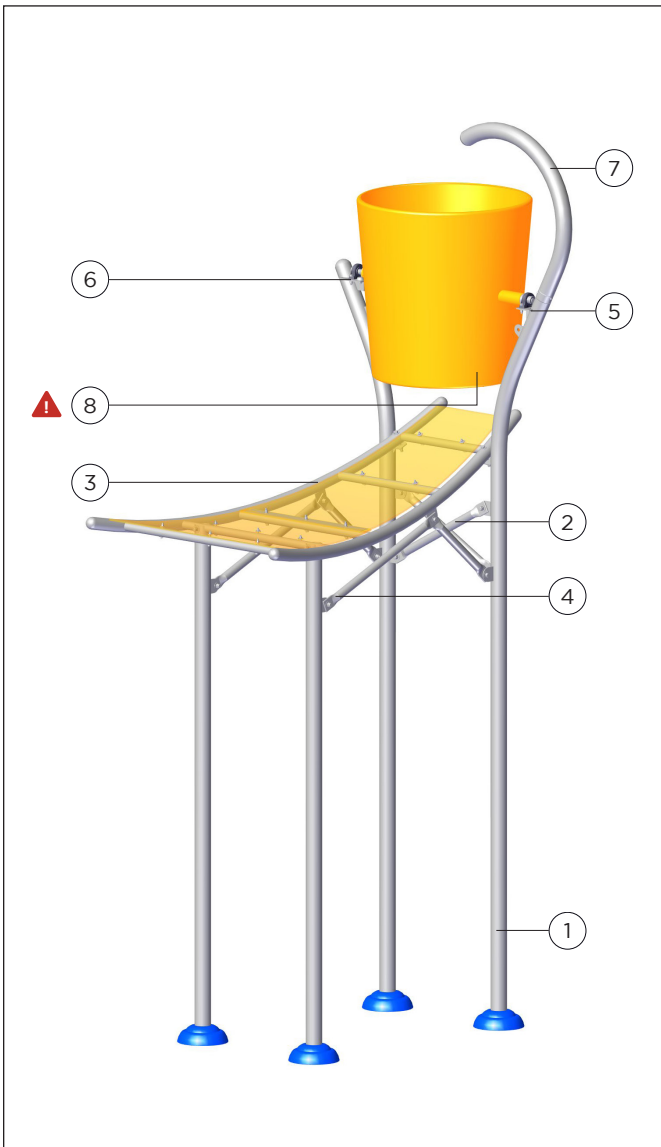
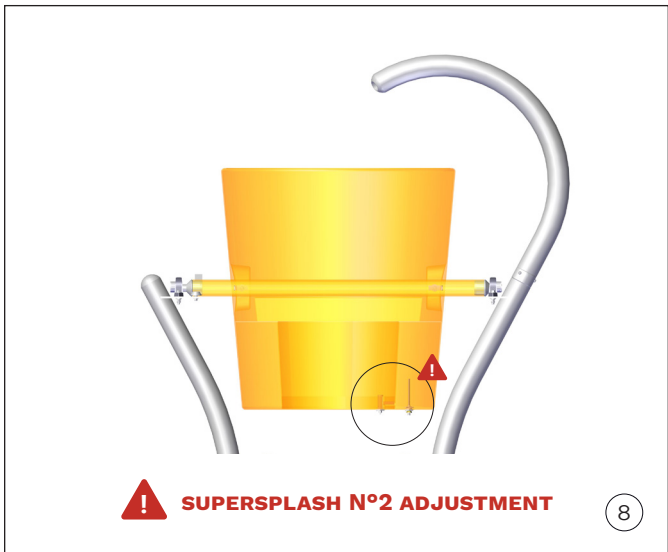
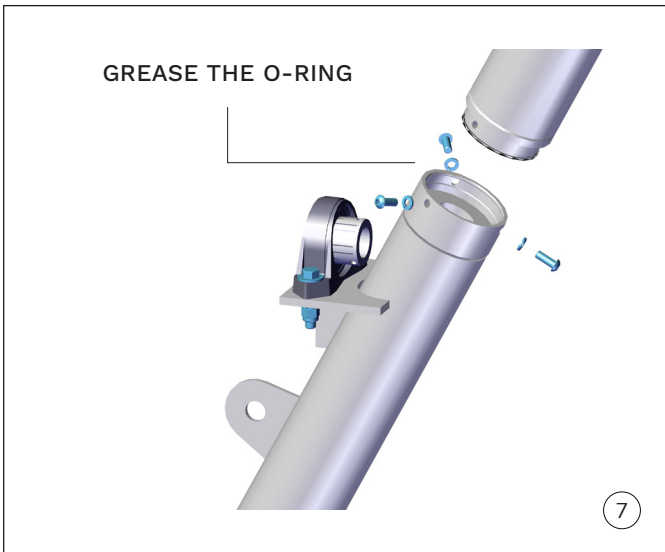
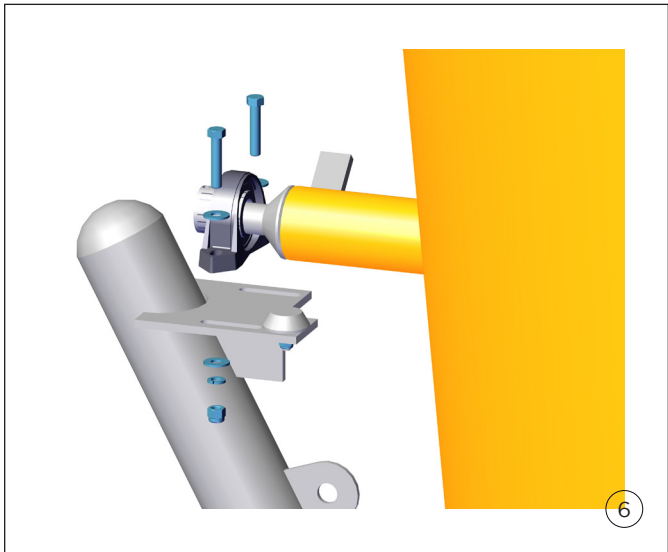
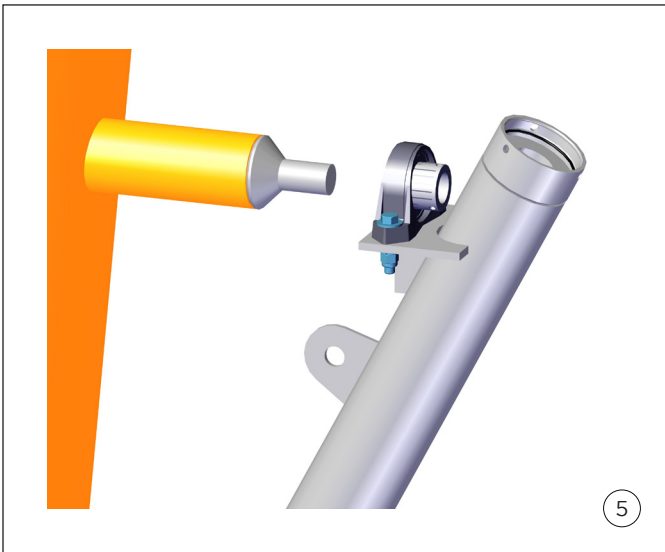
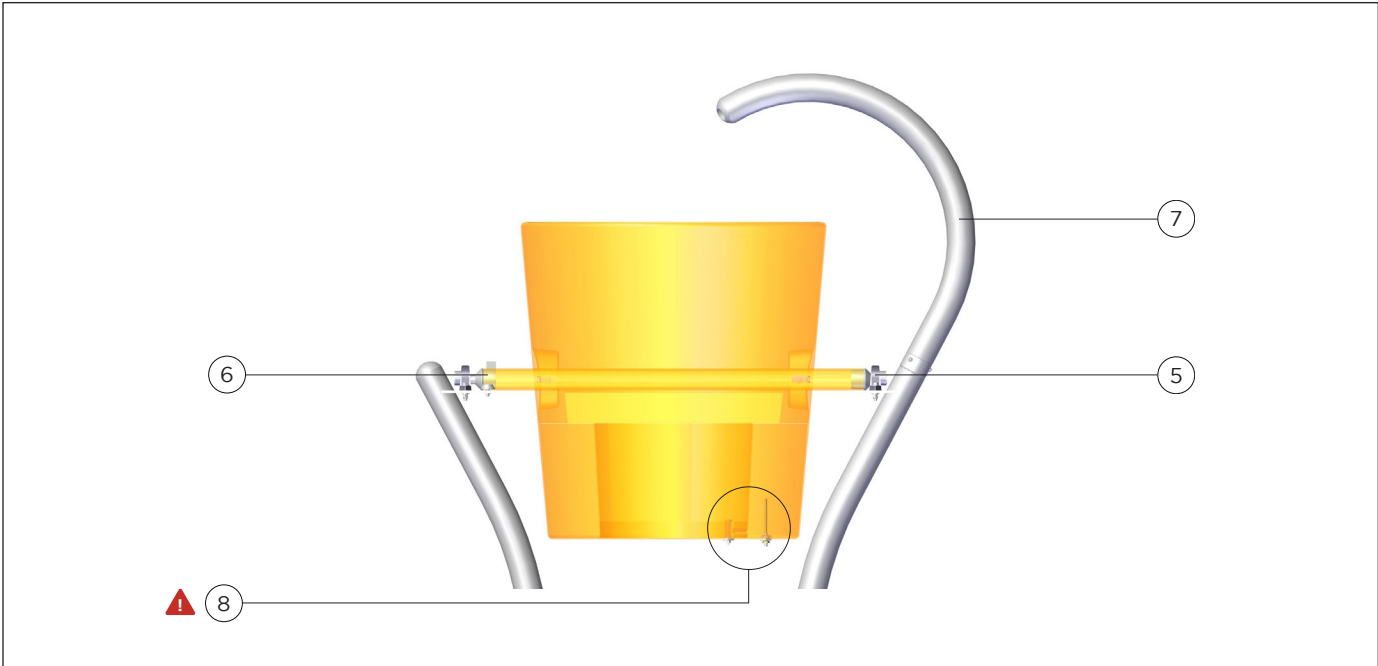


SUPERSPLASH N°2

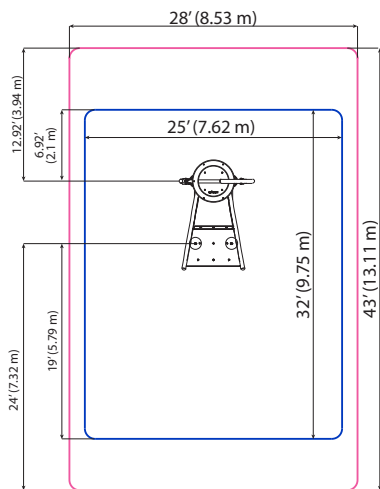




SUPERSPLASH N°2 ADJUSTMENT

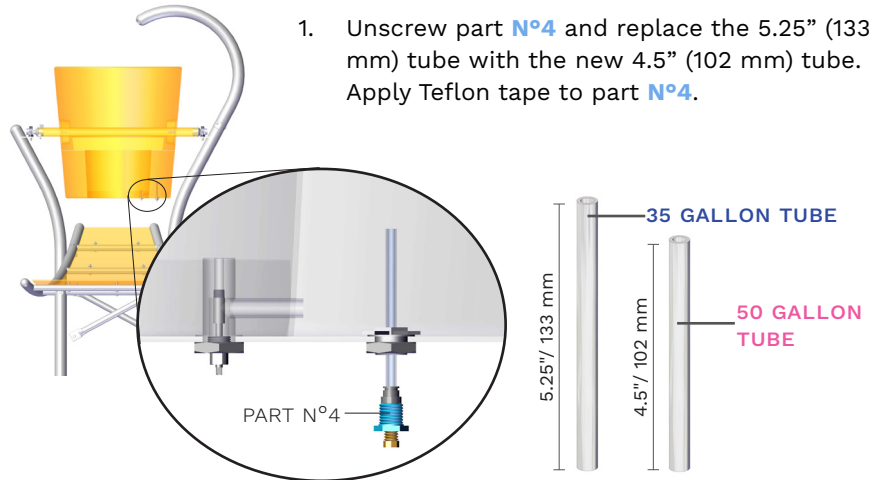
IF NEEDED, ENLARGE SPRAYZONE

The product is sold with the **35 gallons (132.5L)** configuration. To increase capacity to **50 gallons (189 L)**, replace the 5.25" (133 mm) tube with the 4.5" (102 mm) tube from the 40130.0011 KIT in order to change the counterweight.



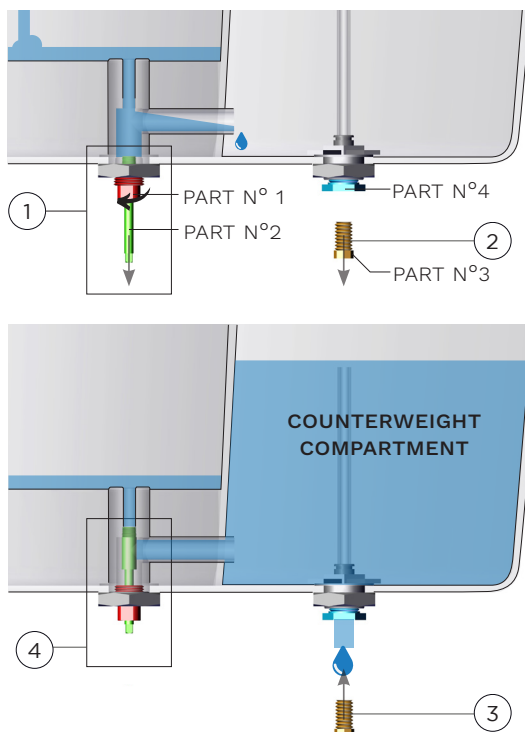
STEP

1. Unscrew part **N°4** and replace the 5.25" (133 mm) tube with the new 4.5" (102 mm) tube. Apply Teflon tape to part **N°4**.



ADJUST THE SUPERSPLASH N°2 COUNTERWEIGHT

! DO AT EACH OPENING AND CLOSING



STEPS

1. Loosen part **N°1** so part **N°2** can be unscrewed to allow water to collect in the counterweight compartment.
2. Unscrew part **N°3** to expel air while adding water, pour water directly through the opening.
3. Stop water when it begins to flow through part **N°4**. Apply Teflon tape to part **N°3** and rescrew part **N°3**.
4. Apply Teflon tape to part **N°1** and **N°2**, and reattach parts **N°1** and **N°2** simultaneously.

WINTERIZATION

SUPERSPLASH N°2 WINTERIZATION

