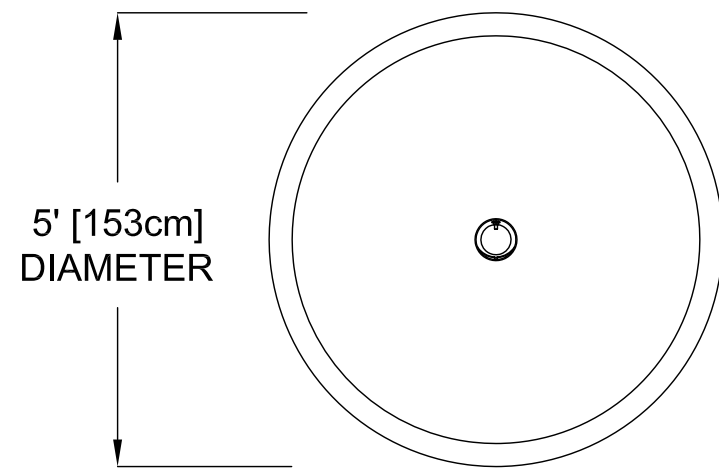
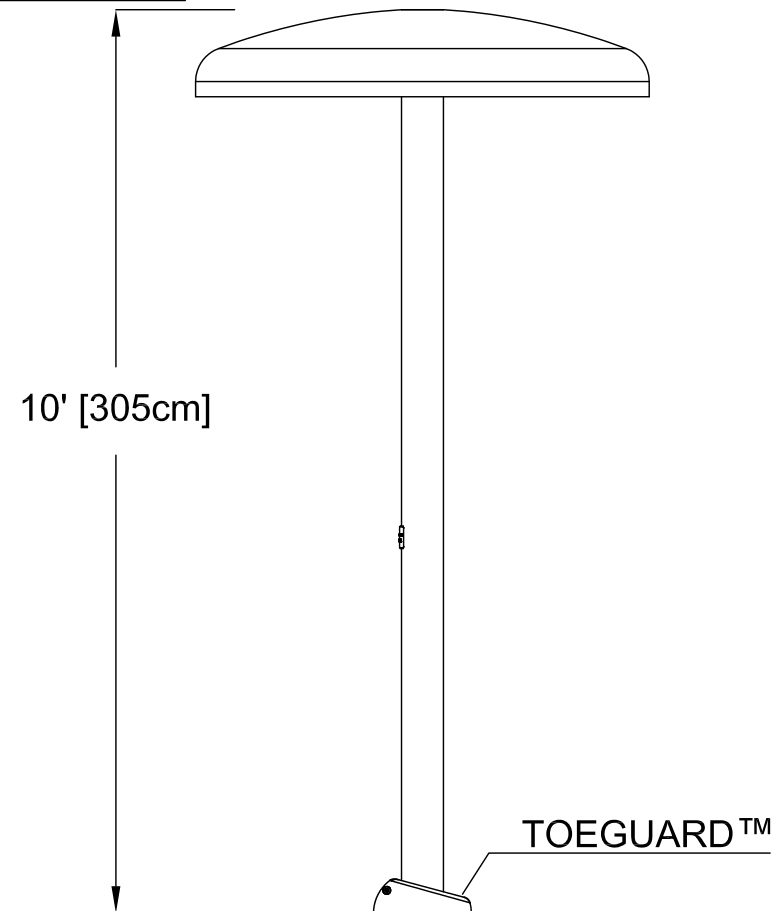


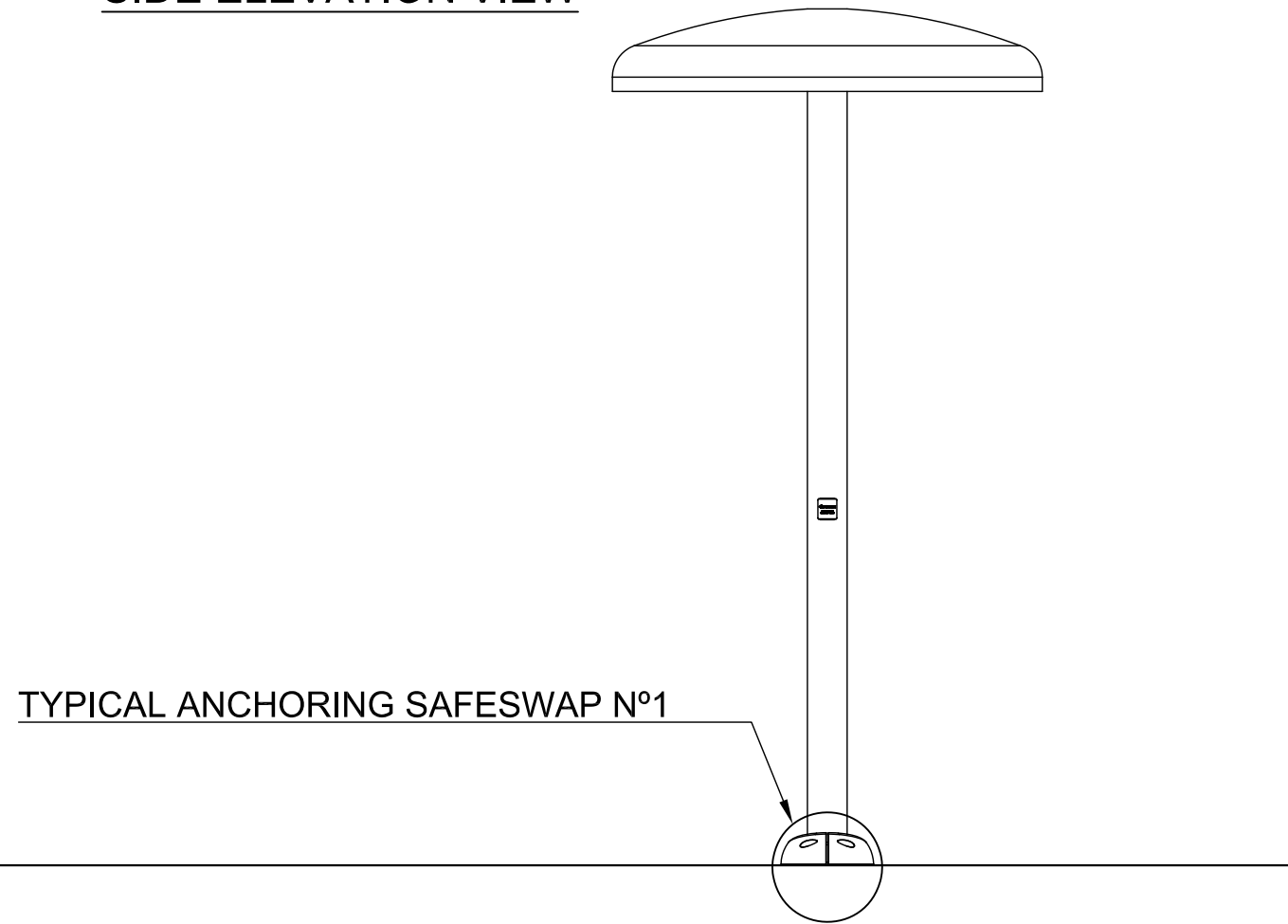
PLAN VIEW



FRONT ELEVATION VIEW



SIDE ELEVATION VIEW



PRODUCT NAME: UMBRELLA 5" (SW, PC)

PRODUCT INFORMATION

PRODUCT NUMBER: VOR-0114.2XXX

DATE: 04/04/16

SHEET NO: 1/1

11"x17" SHEET SIZE

